



Features

- 18.5" PCap Touchscreen
- Intel Elkhart Lake CPU
- Modular Design with Removable Box PC
- Customizable and Expandable
- Slim, Future proof design

Technical Specifications

Primary Components

Processor Family	Intel Core I Series Elkhart Lake CPU
Processor Model	Celeron J6412
Memory Type	1x DDR4 SO-DIMM
Memory Support	4GB, 8GB, 16GB
Storage type	M.2

Display

Screen Size	18.5"
Resolution	1366 x 768, Optional 1920 x 1080
Screen Ratio	16:9
Brightness	250 nits

Touch Screen

Touch Screen	Projected Capacitive (Multi-touch)
--------------	------------------------------------

Expansion Slots

PCI	No
-----	----

Multimedia

Speakers	1x 3W Speaker
----------	---------------

Thermal and Environmental

Operating Temperature	Array (32°F – 95°F)
Storage Temperature	Array (-4°F – 140°F)
Humidity Range	20% – 85% Non-condensing
Cooling Solution	Passive – Fanless

External I/O ports

USB	2x USB 2.0, 2x USB 3.0, 2x USB 3.0 type C
Serial / Com	2x COM
Serial Protocol Detail	2x DB9 (Powered RS232) (COM1 0V*/5V, COM2 0V*/12V)
Ethernet / LAN	1x RJ45 GbE LAN
Other Ports	1x RJ11
Power Input Port	4-Pole DIN (latching)

Power

Input Voltage Range 19V DC

Battery

Operating Systems

Windows	Windows 11, Windows 10 IoT
Linux	Linux

Compatibility

Security Hardware TPM 2.0

Enclosure

Material	Plastic
Ip Rating	IP54 Front Bezel
Color	Black
Led Indicator Light	Power
Control Buttons	Power Button
Mounting Options	VESA 100 Mount, VESA 75 Mount

Peripherals & Wireless Connectivity

WiFi	802.11 a/b/g/n/ac, BT4.0+LE
Barcode Scanner	Optional 1D/2D Barcode Scanner
RFID	Optional RFID
Peripheral Other	3-Track MSR; Fingerprint Reader; Supported Verifone® VX820, P400, Ingenico iPP 325; POS Stand; Printer Stand; Floor Stand; Printer, Epson® TM-m30 / TM-T88IV, Star mc-Print3/ TSP-100/TSP-654

Dimensions / Weight

Weight	4.4 KG (9.7 lbs)
Dimensions	451 x 273 x 51 mm (17.8 x 10.7 x 2.0 in)

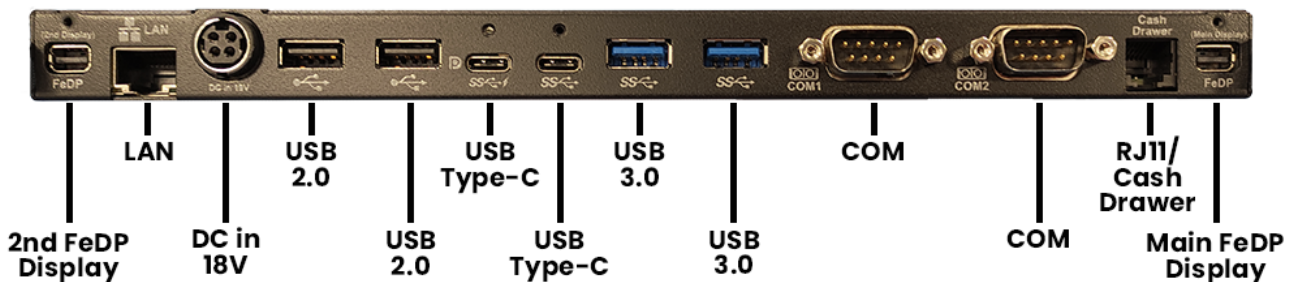
Certification

Certifications CE, FCC Class A, LVD

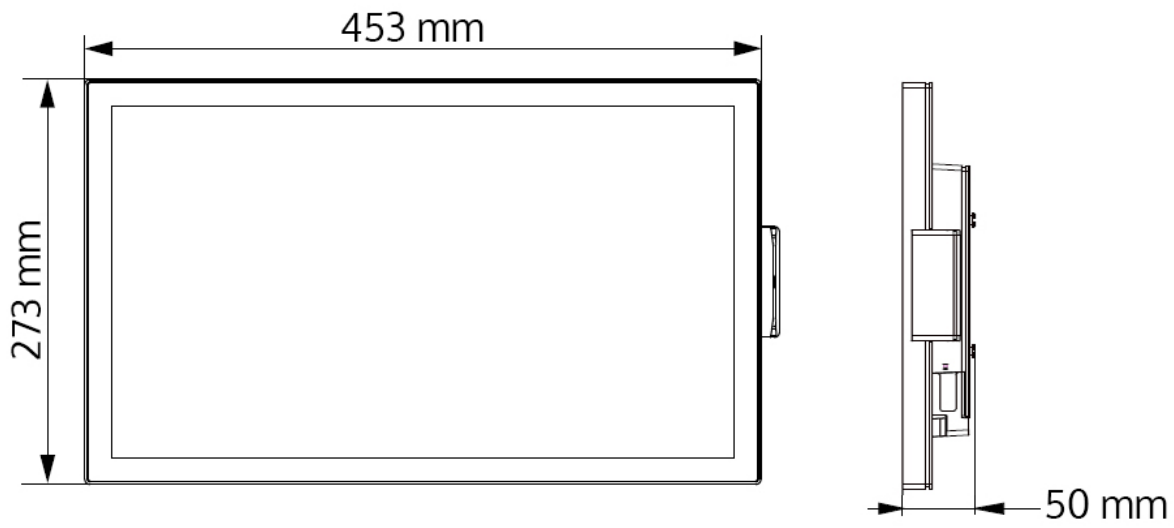
Warranty

Warranty Up to 5 Years

Inputs / Outputs



Technical Drawings



All specifications are subject to change without notice.