



Features

- 11.6" LED with PCAP Touchscreen
- Intel Elkhart Lake CPU
- Slim, Durable Housing, Small form factor
- Customizable, Modular, Expandable
- Full Function USB Type C

Technical Specifications

Primary Components

Processor Family	Intel Core I Series Elkhart Lake CPU
Processor Model	Celeron J6412
Memory Type	1x DDR4 SO-DIMM
Memory Support	4GB, 8GB, 16GB
Storage type	M.2

Display

Screen Size	11.6"
Resolution	1920 x 1080 (Full HD)
Screen Ratio	16:9
Brightness	300 nits

Touch Screen

Touch Screen	Projected Capacitive (Multi-touch)
--------------	------------------------------------

Expansion Slots

PCI	No
-----	----

Multimedia

Speakers	1x 3W Speaker
Camera	Optional 5MP Webcam

Thermal and Environmental

Operating Temperature	Array (32°F – 95°F)
Storage Temperature	Array (-4°F – 140°F)
Humidity Range	20% – 85% Non-condensing
Cooling Solution	Passive – Fanless

External I/O ports

USB	2x USB 2.0, 2x USB 3.0, 2x USB 3.0 type C
Serial / Com	2x COM
Serial Protocol Detail	2x DB9 (Powered RS232) (COM1 0V*/5V, COM2 0V*/12V)
Ethernet / LAN	1x RJ45 GbE LAN
Other Ports	1x RJ11
Power Input Port	4-Pole DIN (latching)

Power

Input Voltage Range	19V DC
---------------------	--------

Battery

Operating Systems

Windows	Windows 10 IoT
Linux	Linux

Compatibility

Security Hardware	TPM 2.0
-------------------	---------

Enclosure

Material	Plastic
Color	Black
Mounting Options	VESA 75 Mount

Peripherals & Wireless Connectivity

WiFi	802.11 a/b/g/n/ac, BT4.2+LE
Barcode Scanner	Optional 1D/2D Barcode Scanner
RFID	Optional RFID
Peripheral Other	3-Track MSR; Fingerprint Reader; Light Bar Indicator; Supported Verifone® VX820, P400, Ingenico iPP 325; POS Stand; Wall mount Kit; Printer Stand; Floor Stand; Printer, Epson® TM-m30 / TM-T88IV, Star mc-Print3/ TSP-100/TSP-654

Dimensions / Weight

Weight	1.4 KG (3.1 lbs)
Dimensions	277 x 180.5 x 40.8 mm (10.9 x 7.1 x 1.6 in)

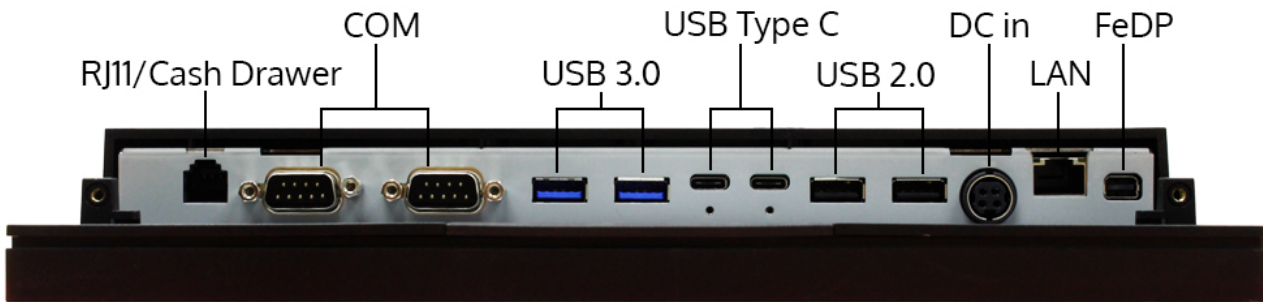
Certification

Certifications	CE, FCC Class A, LVD
----------------	----------------------

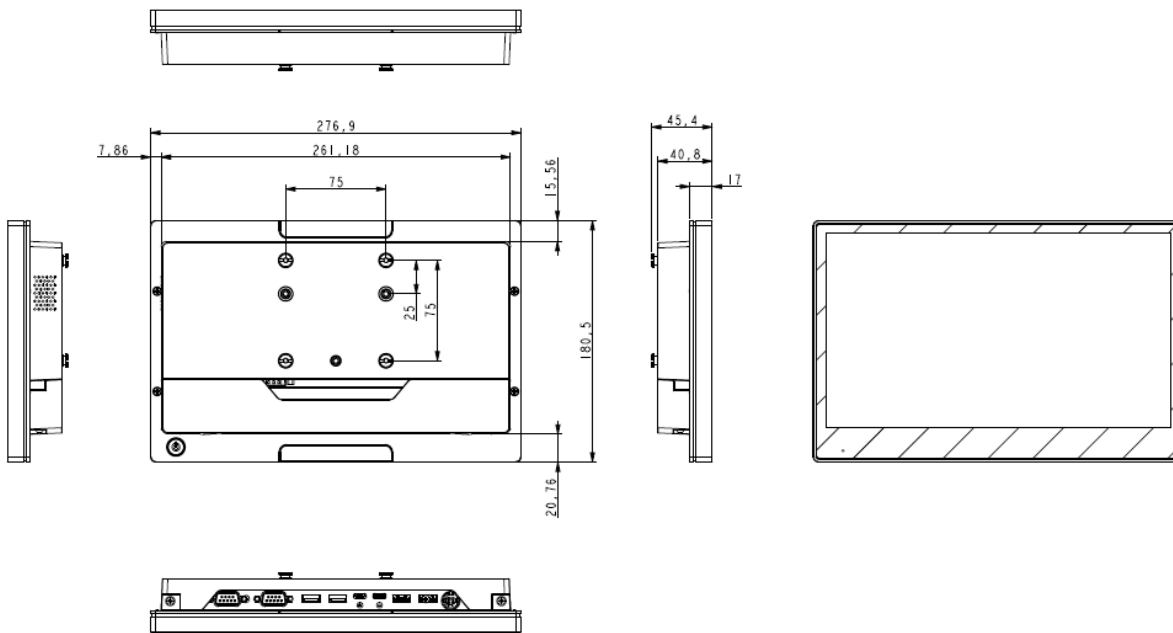
Warranty

Warranty	Up to 5 Years
----------	---------------

Inputs / Outputs



Technical Drawings



All specifications are subject to change without notice.