

Features



- Intel N3350/4200 CPU
- Slim & Rugged Chassis
- Abundant Inputs/Outputs
- DIN Rail Mountable
- Wide Range DC 9~36V Power Input

Technical Specifications

Primary Components

Processor Family	Intel Celeron Apollo Lake
Processor Model	N3350 Dual Core
Processor Speed	Up to 2.4 GHz
Memory Type	1x DDR3L SO-DIMM
Memory Support	4GB, 8GB
Storage type	mSATA
Storage support	64GB (Standard), up to 256GB (Optional)

Display

Touch Screen

External I/O ports

USB	1x USB 2.0, 2x USB 3.0 (with lock), 1x USB 3.0 type C
Serial / Com	2x COM
Serial Protocol Detail	2x RS-232/422/485
Ethernet / LAN	2x RJ45 GbE LAN
Video Outputs	1x DisplayPort
Power Input Port	3-Pin DC-In (Phoenix Type)

Expansion Slots

Internal Mini PCIe	1x Mini-PCIe
PCIe Expansion Details	1 x mini PCIe for Wi-Fi/GPS/LTE
SD card	1x Micro SD Slot
Expansion Module support	Default expansion: 2 x COM (DB9); Optional expansion requires MOQ - 3 x COM (Terminal Block); 2 x USB 2.0; 16 channel GPIO

Multimedia

Thermal and Environmental

Operating Temperature	Array (-4°F – 140°F)
Storage Temperature	Array (-40°F – 185°F)
Humidity Range	10% – 90% Non-condensing
Storage Humidity	10% – 90% Non-condensing
Cooling Solution	Passive – Fanless with Heatsink

Enclosure

Material	Aluminum
Color	Black, Gray
Led Indicator Light	Power
Control Buttons	Power Button
Mounting Options	DIN Rail Mount, Wall Mount

Power

Input Voltage Range 9-36V DC
Max Power consumption 33W
Standard Power Adapter Optional 12V AC/DC Adapter

Battery

Operating Systems

Windows Windows 10 IoT, Windows 10 Pro

Compatibility

Peripherals & Wireless Connectivity

WiFi Optional

Dimensions / Weight

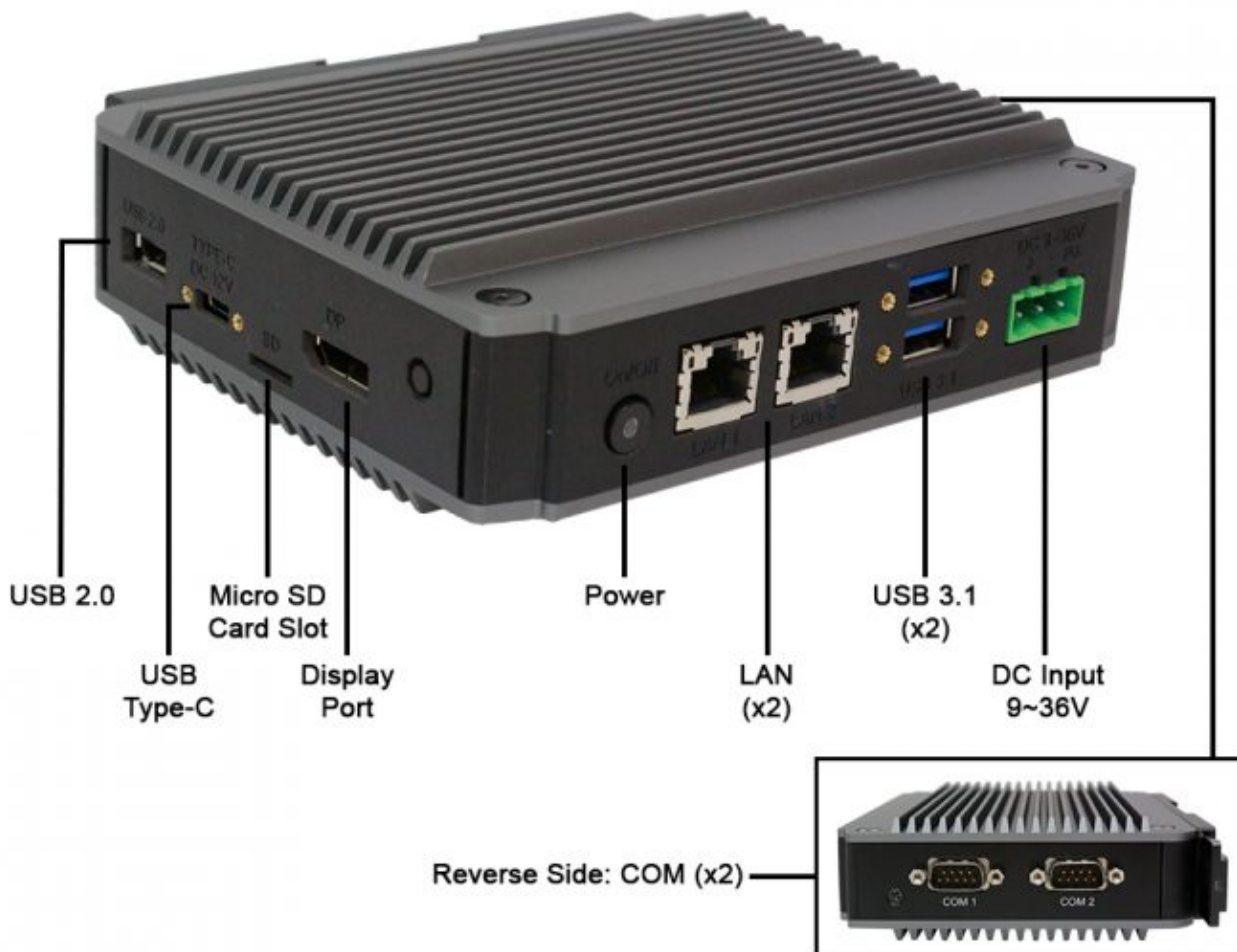
Weight .78 KG (1.7 lbs)
Dimensions 140x120x42 mm (5.5 x 4.7 x 1.7 in)

Certification

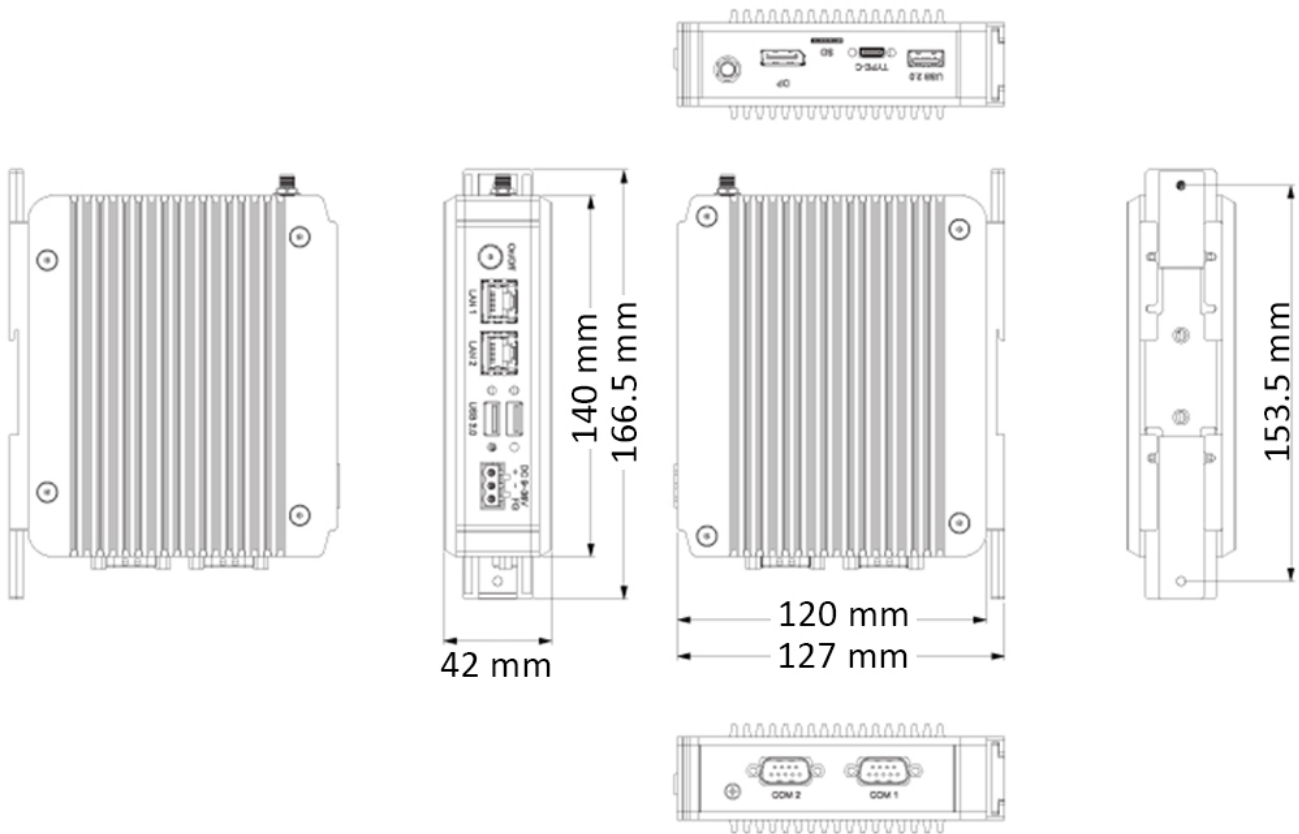
Warranty

Warranty Up to 5 Years

Inputs / Outputs



Technical Drawings



All specifications are subject to change without notice.