



Features

- 15.6" Flush LCD Touchscreen
- IP66/IP69K Fully Enclosed Fanless Design
- Resistive or Projected Capacitive Touchscreen
- HDMI and VGA Inputs
- Optional 1000 nit High Brightness and Optical Bonding
- Grade 304 Stainless Steel Enclosure

Technical Specifications

Display

Screen Size	15.6"
Resolution	1366 x 768, Optional 1920 x 1080
Screen Ratio	16:9
Brightness	350 nits, Optional 1000 nit High Brightness
Contrast Ratio	500:1
Viewing Angle	160° (H), 160° (V)
Number of Colors Supported	16.7M

Touch Screen

Touch Screen	Projected Capacitive, Resistive
Light Transmission	Over 80% (Resistive), Over 90% (P-Cap)

External I/O ports

USB	1x M12 USB
Video Inputs	1x M12 HDMI, 1x M12 VGA
Power Input Port	M12 type 3-PIN DC-in

Thermal and Environmental

Operating Temperature	Array (-4°F – 140°F)
Storage Temperature	Array (-22°F – 158°F)
Humidity Range	10% – 90% Non-condensing
Cooling Solution	Passive – Fanless

Enclosure

Material	Optional SUS316 Stainless Steel, SUS304 Stainless Steel
Ip Rating	IP66, IP69K
Control Buttons	On-Screen Display (OSD), Touchscreen Lock for Cleaning
Mounting Options	VESA 75 Mount, Yoke Mount
Approved Cleaning Solutions	Alcohol, Chlorine and Compounds, Glutaraldehyde, Hydrogen Peroxide, Ortho-phthalaldehyde (OPA), Quaternary Ammonium Compounds
Cleaning Instructions	View instructions here

Dimensions / Weight

Weight	6.4 KG (14.1 lbs)
Dimensions	440 x 290 x 55 mm (17.3 x 11.4 x 2.2 in)

Power

Input Voltage Range 9-36V DC
 Max Power consumption 12.3W

Certification

Certifications CE, FCC Class A

Multimedia

Speakers Optional Speaker

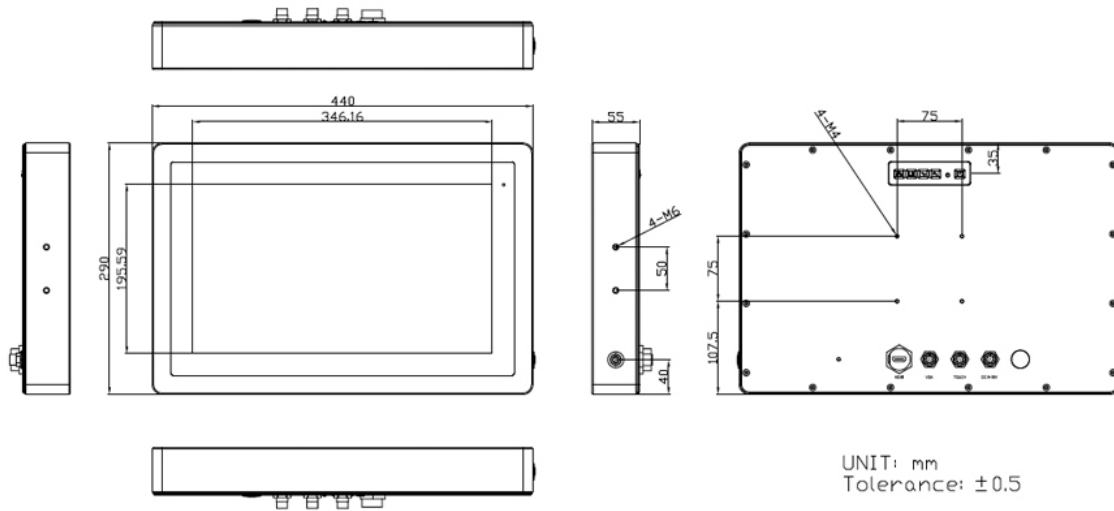
Warranty

Warranty Up to 5 Years

Inputs / Outputs



Technical Drawings



All specifications are subject to change without notice.