



## Features

- 10.1" Flush LCD Touchscreen
- IP66 Fully Enclosed Fanless Design
- USB, LAN, and COM Ports
- Grade 304 Stainless Steel Enclosure
- Resistive or Capacitive Touchscreen
- M12 Metal I/O Connectors

## Technical Specifications

### Primary Components

|                  |                                    |
|------------------|------------------------------------|
| Processor Family | Intel Celeron Bay Trail            |
| Processor Model  | N2930                              |
| Processor Speed  | 1.83 GHz                           |
| Memory Type      | Onboard DDR3                       |
| Memory Support   | 4GB                                |
| Storage type     | 1x 2.5" SATA Drive Bay for SSD/HDD |
| Storage support  | 32GB-1TB                           |

### Display

|                            |   |
|----------------------------|---|
| Screen Size                | 10.1"                                       |
| Resolution                 | 1280 x 800 (WXGA)                           |
| Screen Ratio               | 16:10                                       |
| Brightness                 | 350 nits, Optional 1000 nit High Brightness |
| Contrast Ratio             | 800:1                                       |
| Viewing Angle              | 170° (H), 170° (V)                          |
| Number of Colors Supported | 16.7M                                       |

### Touch Screen

|                    |                                 |
|--------------------|---------------------------------|
| Touch Screen       | Projected Capacitive, Resistive |
| Light Transmission | Over 80%                        |

### Thermal and Environmental

|                       |   |
|-----------------------|---|
| Operating Temperature | Array (32°F – 122°F; Optional -4°F – 140°F) |
| Storage Temperature   | Array (-22°F – 158°F)                       |
| Humidity Range        | 10% – 90% Non-condensing                    |
| Cooling Solution      | Passive – Fanless                           |

### Enclosure

|                  |   |
|------------------|---|
| Material         | Optional SUS316 Stainless Steel, SUS304 Stainless Steel |
| Ip Rating        | IP66, Optional IP69K, NEMA 4X                           |
| Color            | Stainless Steel   |
| Control Buttons  | Power Button, Power Switch                              |
| Mounting Options | VESA 75 Mount   |

### Peripherals & Wireless Connectivity

|      |                      |
|------|----------------------|
| RFID | Optional RFID Module |
|------|----------------------|

**External I/O ports**

|                        |   |
|------------------------|---|
| USB                    | 1x M12 8Pin for USB 1/2                                     |
| Serial / Com           | 2x M12 8-pin for COM  |
| Serial Protocol Detail | 1x M12 8Pin for RS-232/422/485 COM Port with Waterproof Cap |
| Ethernet / LAN         | 1x M12 8pin RJ45 Gbe LAN                                    |
| Audio                  | 1x 3.5mm Headphone Jack                                     |
| Power Input Port       | M12 type 3-PIN DC-in  |

**Dimensions / Weight**

|            |   |
|------------|---|
| Weight     | 4 KG (8.8 lbs)                          |
| Dimensions | 300 x 220 x 53 mm (11.8 x 8.7 x 2.1 in) |

**Power**

Input Voltage Range 9-36V DC

**Certification**

Certifications CE, FCC Class A

**Operating Systems**

Windows Windows 10 IoT, Windows 10 Pro, Windows 8.1 Pro

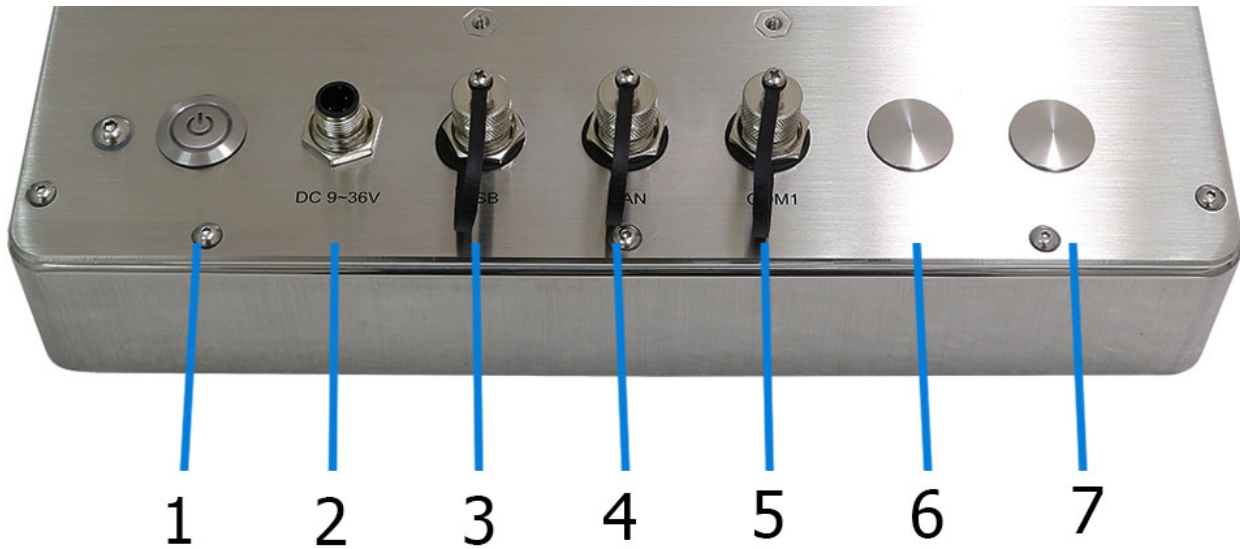
**Warranty**

Warranty Up to 5 Years

**Expansion Slots**

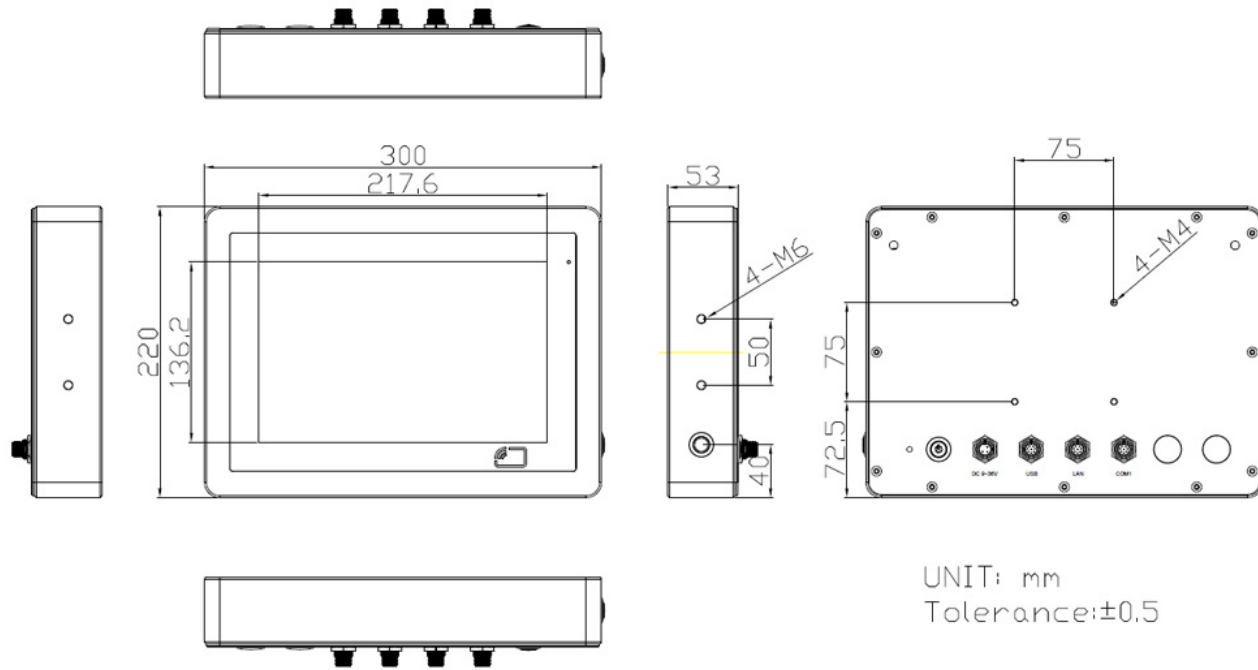
Internal Mini PCIe 1x Mini-PCIe

**Inputs / Outputs**



- |                 |                  |
|-----------------|------------------|
| 1. Power Button | 5. COM Port      |
| 2. DC Input     | 6. Optional Port |
| 3. USB Port     | 7. Optional Port |
| 4. LAN Port     |                  |

Technical Drawings



*All specifications are subject to change without notice.*