



Features

- 19" Full-Flat Touchscreen
- Intel Apollo Lake J3455 Celeron CPU
- IP66 / IP69K and Optional IP67
- Fanless and Fully Sealed
- M12 Metal Waterproof Connectors

Technical Specifications

Primary Components

Processor Family	Intel Celeron Apollo Lake
Processor Model	J3455 Quad Core
Processor Speed	1.5 GHz
Memory Type	1x DDR3L SO-DIMM
Memory Support	4GB, 8GB
Storage type	1x 2.5" SATA Drive Bay for SSD/HDD, M.2
Storage support	32GB-1TB

Display

Screen Size	19"
Resolution	1280 x 800 (WXGA)
Screen Ratio	5:4
Brightness	350 nits, Optional 1000 nit High Brightness
Contrast Ratio	1000:1
Viewing Angle	160° (H), 170° (V)

Multimedia

Speakers	Optional Speakers
----------	-------------------

Thermal and Environmental

Operating Temperature	Array (32°F – 113°F)
Storage Temperature	Array (-4°F – 140°F)
Humidity Range	10% – 90% Non-condensing
Storage Humidity	10% – 90% Non-condensing
Cooling Solution	Passive – Fanless

Touch Screen

Touch Screen	5 Wire Resistive, Projected Capacitive
Light Transmission	Over 80% (Resistive), Over 90% (P-Cap)
Hardness	Resistive: 4H, P-cap: 7H

Enclosure

Material	SUS304 Stainless Steel, Optional SUS316 Stainless Steel
Ip Rating	IP66, IP69K, NEMA 4X, Optional IP67
Color	Stainless Steel
Control Buttons	Power Button
Mounting Options	Table Mount, VESA 100 Mount, Wall Mount
Approved Cleaning Solutions	Acetic Acid (low concentration), Ammonium Nitrate (low concentration), Benzine, Citric Acid (low concentration), Ethanol, Ethylene Glycol Solution (1:1 with water), Hexane, Hydrochloric Acid (low concentration), Iron Chloride Solution, Isooctane, Isopropyl Alcohol, Nitric Acid, Paraffin, Perhydrol (30% in water), Phosphoric Acid (low concentration), Propane, Silicone Oil, Sodium Carbonate (low concentration), Sodium Chloride Solution, Sodium Nitrate (low concentration), Sulfuric Acid (low concentration), Triethylene Glycol

External I/O ports

USB	2x M12 8Pin for USB 1/2 and USB 3/4
Serial / Com	2x M12 8-pin for COM
Serial Protocol Detail	1x RS-232, 1x RS-232/422/485
Ethernet / LAN	1x M12 8pin RJ45 Gbe LAN
Power Input Port	M12 type 5-PIN DC-in

Power

Input Voltage Range	9-32V DC
Max Power consumption	43W
Standard Power Adapter	AC 100~240V / 47 ~ 63Hz, IP68, 60W

Peripherals & Wireless Connectivity

WiFi	Optional WiFi + Bluetooth Flat Antenna Kit
BlueTooth	Optional Bluetooth 4.0
Barcode Scanner	Optional 1D/2D Barcode Scanner

Dimensions / Weight

Weight	11 KG (24.3 lbs)
Dimensions	458 x 64 x 386 mm (18.0 x 2.5 x 15.2 in)

Operating Systems

Windows Windows 10 IoT, Windows 10 Pro
 Linux Linux

Certification

Certifications CE, FCC, VCCI Class B

Compatibility

Security Hardware Optional TPM 2.0

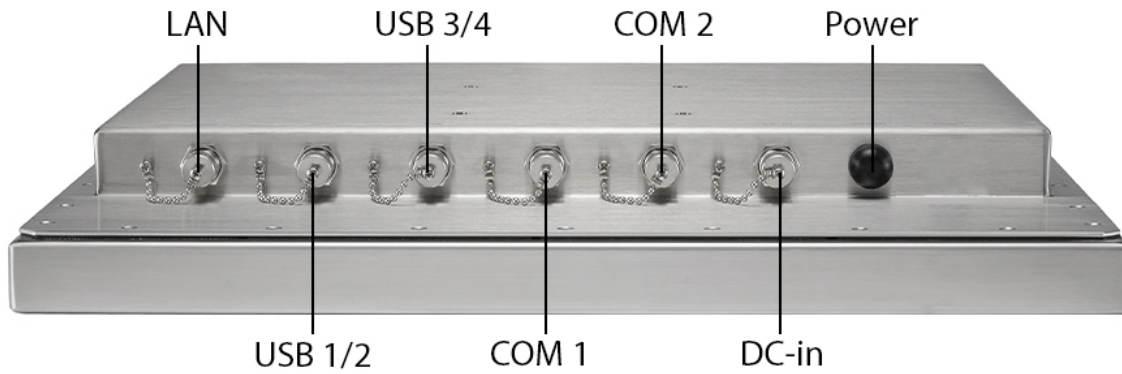
Warranty

Warranty Up to 5 Years

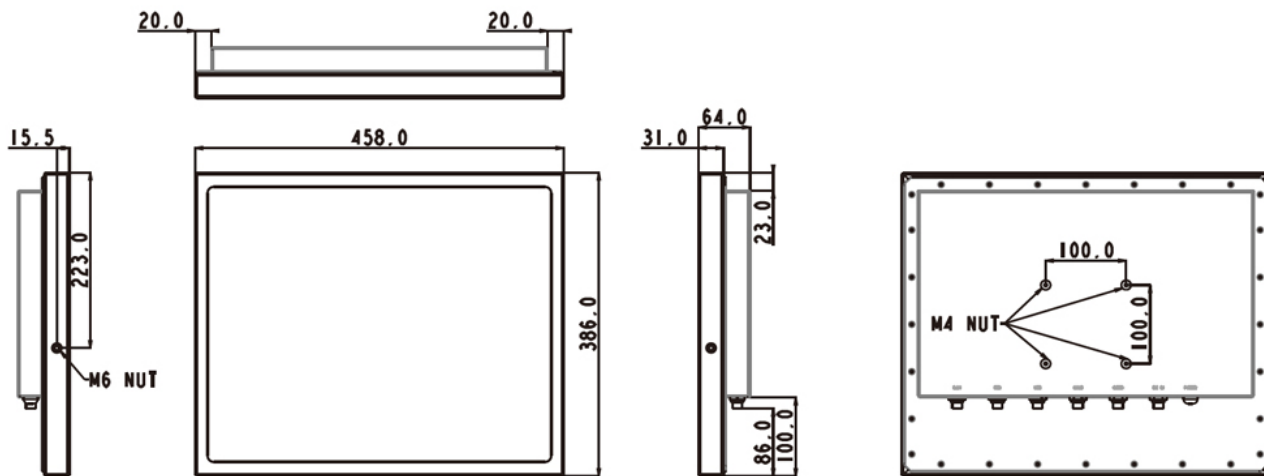
Expansion Slots

Internal Mini PCIe 1x Mini-PCIe
 Internal M.2 1x M.2 Type E

Inputs / Outputs



Technical Drawings



All specifications are subject to change without notice.