



## Features

- 18.5" Touchscreen Display
- Qualcomm CPU and Android 9.0
- Modular Design with Removable Box PC
- Multiple Mounting Options
- Customizable and Expandable

## Technical Specifications

### General

Main Category Industrial Computer

### Primary Components

Processor Model MT8735A QuadCore  
 Memory Type Onboard DDR3  
 Storage support 32GB

### Display

Screen Size 18.5"  
 Resolution 1366 x 768  
 Screen Ratio 16:9  
 Brightness 250 nits

### Touch Screen

Touch Screen Projected Capacitive (Multi-touch)

### Expansion Slots

### Multimedia

Speakers 1x 3W Speaker  
 Camera Optional Webcam

### Thermal and Environmental

Operating Temperature 0°C – 35°C  
 (32°F – 95°F)  
 Storage Temperature -20°C – 60°C  
 (-4°F – 140°F)  
 Humidity Range 20% – 85% Non-condensing  
 Cooling Solution Passive – Fanless

### Enclosure

Material Plastic  
 Ip Rating IP54 Front Bezel  
 Color Black  
 Led Indicator Light Power  
 Control Buttons Power Button  
 Mounting Options VESA 100 Mount, VESA 75 Mount

### External I/O ports

USB	2x USB 2.0, 2x USB 3.0, 1x USB 3.0 type C
Serial / Com	2x COM
Serial Protocol Detail	2x DB9 (Powered RS232) (COM1 0V*/5V, COM2 0V*/12V)
Ethernet / LAN	1x RJ45 GbE LAN
Other Ports	1x RJ11
Power Input Port	4-Pole DIN (latching)

### Power

Input Voltage Range 19V DC

### Battery

### Operating Systems

Android Android 9.0

### Compatibility

### Peripherals & Wireless Connectivity

WiFi	WiFi/BT (a/b/g/n)
Barcode Scanner	Optional 1D/2D Barcode Scanner
RFID	Optional RFID
Peripheral Other	3-Track MSR; Fingerprint Reader; Supported Verifone® VX820, P400, Ingenico iPP 325; POS Stand; Printer Stand; Floor Stand; Printer, Epson® TM-m30 / TM-T88IV, Star mc-Print3/ TSP-100/TSP-654

### Dimensions / Weight

Weight	9.7 KG (21.4 lbs)
Dimensions	451 x 273 x 51 mm (17.8 x 10.7 x 2.0 in)

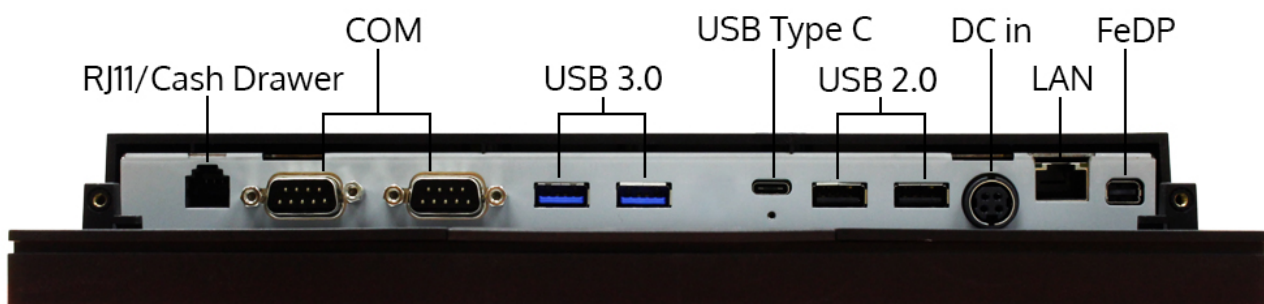
### Certification

Certifications CE, FCC Class A, LVD

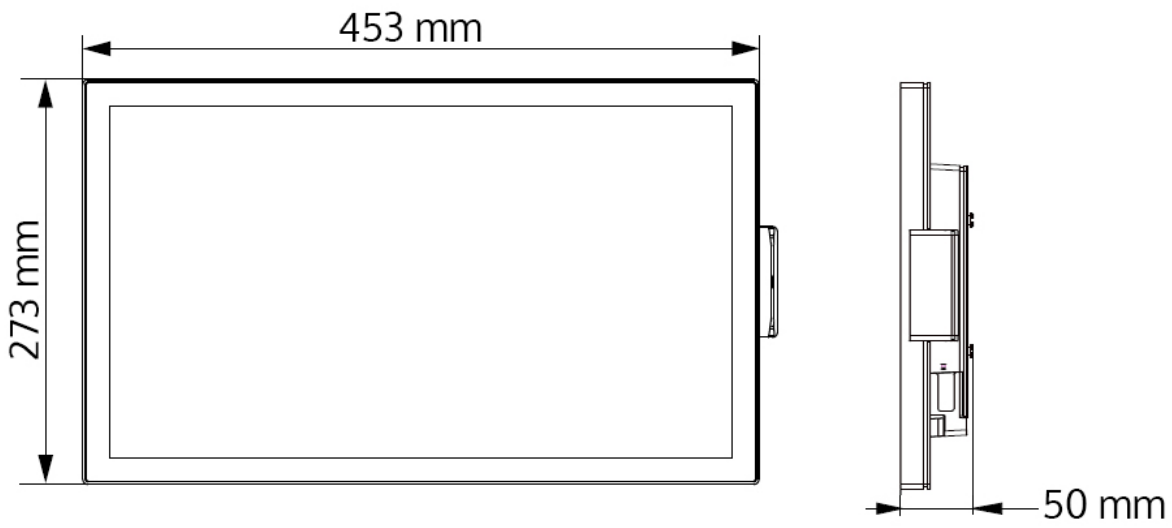
### Warranty

Warranty Up to 5 Years

## Inputs / Outputs



Technical Drawings



*All specifications are subject to change without notice.*