



Features

- 12th Generation Alder Lake CPU
- Windows 11
- Fanless with wide operating temperature range
- Multitude of screen sizes (compare to TP-5645)
- Two slots of DDR4 RAM

Technical Specifications

Primary Components

Processor Family	Intel Core I series 12th Generation Alder Lake
Processor Model	Core i3-1215U
Processor Speed	Up to 4.4 GHz, 2x Performance Cores @ 4.4 GHz, 4x Efficient Cores @ 3.3 GHz
Memory Type	2x DDR4 SO-DIMM
Memory Support	4GB, 8GB, 16GB, 32GB, 64GB
Storage Type	1x M.2 2280 NVME SSD slot
Storage Support	M.2: 256GB-1TB

Display

Screen Size	10.1"
Screen Resolution	1280 x 800 (WXGA)
Screen Ratio	4:3
Brightness	350 nits

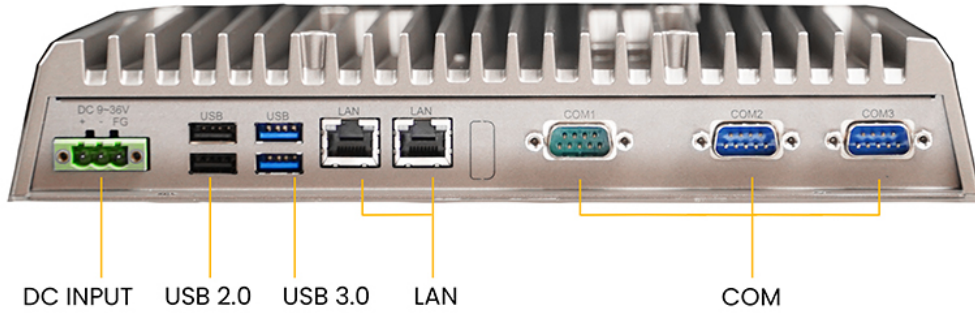
Enclosure

Material	Aluminum front bezel, Aluminum Heatsink and SECC Steel Chassis
IP Rating	IP66 Front Bezel
Color	Gray
Led Indicator Light	Power
Mounting Options	Panel Mount, VESA 100 Mount

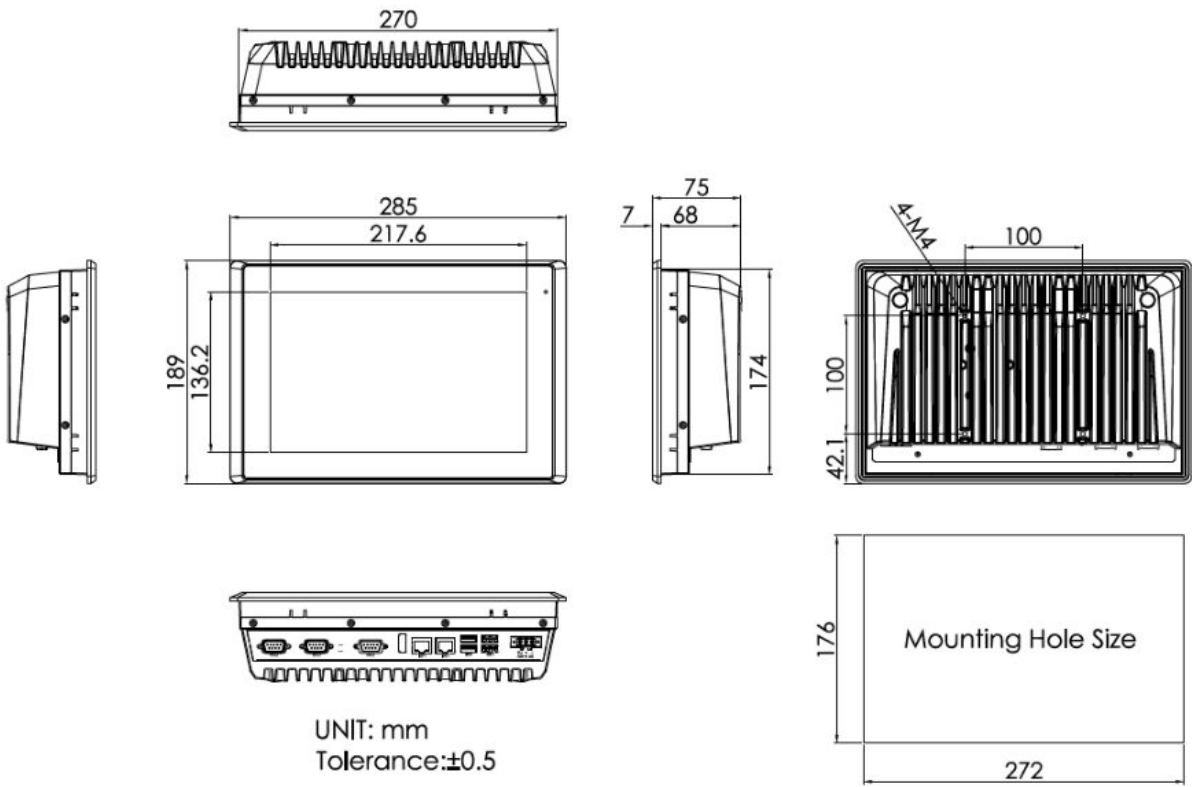
Peripherals & Wireless Connectivity

WiFi	Optional 802.11 a/b/g/n/ac/ax Wi-Fi 6
Bluetooth	Optional Bluetooth 5.3

I/O Diagram Images



Tech Diagram Images



All specifications are subject to change without notice.