



Features

- Intel 7th Gen. Kaby Lake Core i3/i5/i7 CPU
- 2x SO-DIMM, up to 32GB DDR4 Memory
- Three Independent Video Outputs
- 2x PCIe x1 or 1x PCIe x4 Expansion Slots
- Easy-Access Storage Bay
- Wide Range Power Input (DC 9~36V)

Technical Specifications

Primary Components

Processor Family	Intel Core I series 7th Generation Kaby Lake
Processor Speed	Up to 2.9 GHz Base
Memory Type	2x DDR4 SO-DIMM
Memory Support	4GB, 8GB, 16GB, 32GB
Storage type	2x 2.5" SATA Drive Bay for SSD/HDD (easily accessible)
Storage support	32GB-2TB, Accessible Bays Support RAID 0/1

Display

Touch Screen

Expansion Slots

Internal Mini PCIe	3x Mini-PCIe
PCIe Slot	Yes
Other	2x PCIe (x1) Slots, or 1x PCIe (x4) Slot

Multimedia

Thermal and Environmental

Operating Temperature	Array (-4°F – 140°F (i3/i5 CPU), -4°F – 122°F (i7 CPU))
Storage Temperature	Array (-40°F – 185°F)
Humidity Range	10% – 90% Non-condensing
Cooling Solution	Passive – Fanless with Heatsink

External I/O ports

USB	2x USB 2.0, 4x USB 3.0
Serial / Com	4x COM
Serial Protocol Detail	2x RS-232/422/485 DB-9, default RS232(COM1/2), 2x RS232 DB-9(COM3/4)
Ethernet / LAN	4x RJ45 GbE LAN
Video Outputs	1x DisplayPort, 1x DVI-I, 1x HDMI
Other Ports	1x GPIO 8-bit digital I/O (4x DI, 4x DO)
Audio	1x Audio Line-Out
Power Input Port	Locking Type

Enclosure

Material	Aluminum, Steel
Color	Black
Control Buttons	Power Button
Mounting Options	Wall Mount

Power

Battery

Operating Systems

Compatibility

Peripherals & Wireless Connectivity

Dimensions / Weight

Weight	5.5 KG (12.1 lbs)
Dimensions	280 x 230 x 134.6 mm (11.0 x 9.1 x 5.3 in)

Certification

Certifications	CE, FCC Class A
----------------	-----------------

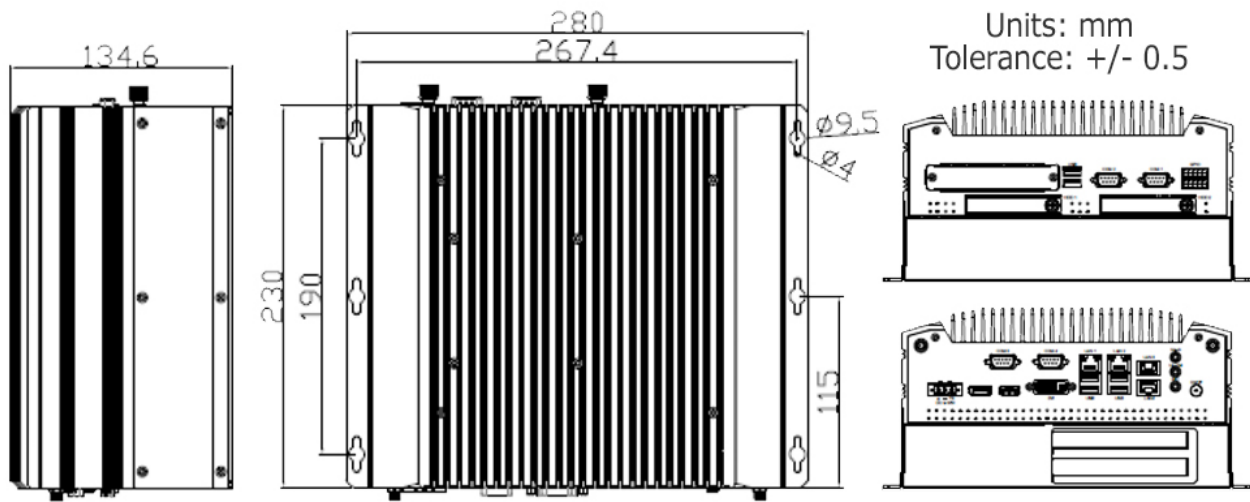
Warranty

Warranty	1 Year
----------	--------

Inputs / Outputs



Technical Drawings



All specifications are subject to change without notice.