



Features

- 10.1" LCD Touchscreen
- Intel Apollo Lake N4200 Quad Core CPU
- Easily Accessable Storage Bay
- Die-cast Aluminum Housing
- Optional Power over Ethernet

Technical Specifications

Primary Components

Processor Family	Intel Pentium Apollo Lake
Processor Model	N4200
Processor Speed	1.10 GHz
Memory Type	Onboard DDR3
Memory Support	4GB, 8GB
Storage type	1x 2.5" SATA Drive Bay for SSD/HDD
Storage support	32GB-1TB

Display

Screen Size	10.1"
Resolution	1280 x 800 (WXGA)
Screen Ratio	16:10
Brightness	350 nits, Optional 1000 nit High Brightness
Contrast Ratio	800:1
Viewing Angle	160° (H), 160° (V)

Touch Screen

Touch Screen	Projected Capacitive, Resistive
Light Transmission	Over 80% (Resistive), Over 90% (P-Cap)

Expansion Slots

Internal Mini PCIe	1x Mini-PCIe
--------------------	--------------

Thermal and Environmental

Operating Temperature	Array (-4°F – 140°F)
Storage Temperature	Array (-22°F – 158°F)
Humidity Range	10% – 90% Non-condensing
Cooling Solution	Passive – Fanless with Heatsink

Enclosure

Material	Aluminum
Ip Rating	IP66 Front Bezel
Mounting Options	Panel Mount, VESA 100 Mount

External I/O ports

USB	2x USB 3.0
Serial / Com	2x COM
Serial Protocol Detail	1x RS-232/422/485 DB-9, default RS-232(COM1), 1x RS-232 DB-9(COM2)
Ethernet / LAN	2x RJ45 GbE LAN
Video Outputs	1x HDMI
Other Ports	1x 2-Pin DC Power Switch Connector
Audio	1x Audio Line-Out
Power Input Port	3-Pin DC-In (Phoenix Type)

Power

Input Voltage Range	9-36V DC
Max Power consumption	30W
Standard Power Adapter	Optional 12V AC/DC Adapter

Battery

Type	Optional Internal Battery
------	---------------------------

Operating Systems

Windows	Windows 10 IoT, Windows 10 Pro
Linux	Linux

Peripherals & Wireless Connectivity

WiFi	Optional WiFi
BlueTooth	Optional Bluetooth 4.0
Mobile Network 4G LTE	Optional 4G

Dimensions / Weight

Weight	1.9 KG (4.2 lbs)
Dimensions	285 x 49 x 189 mm (11.2 x 1.9 x 7.4 in)

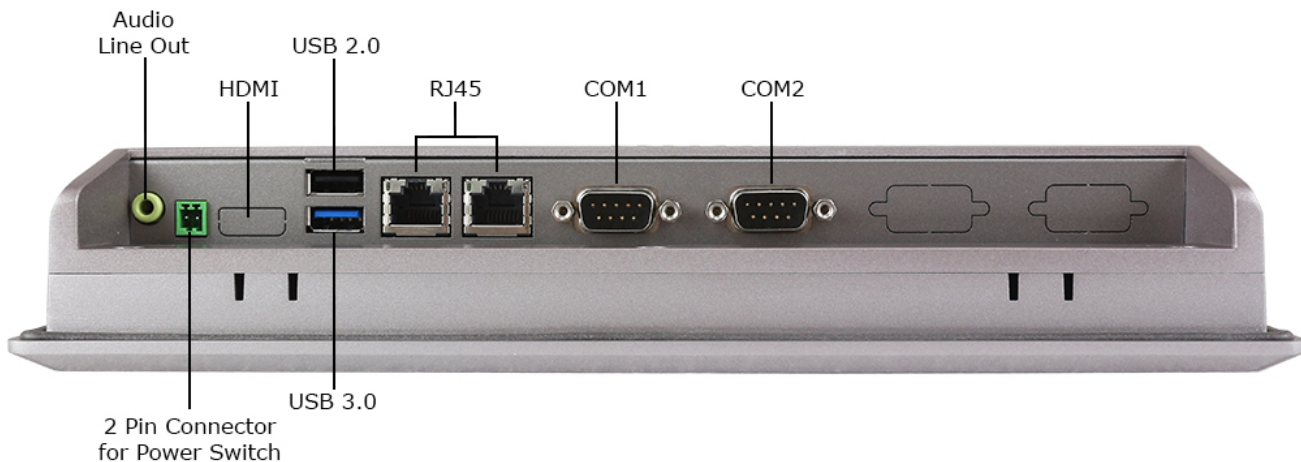
Certification

Certifications	CE, FCC Class A
----------------	-----------------

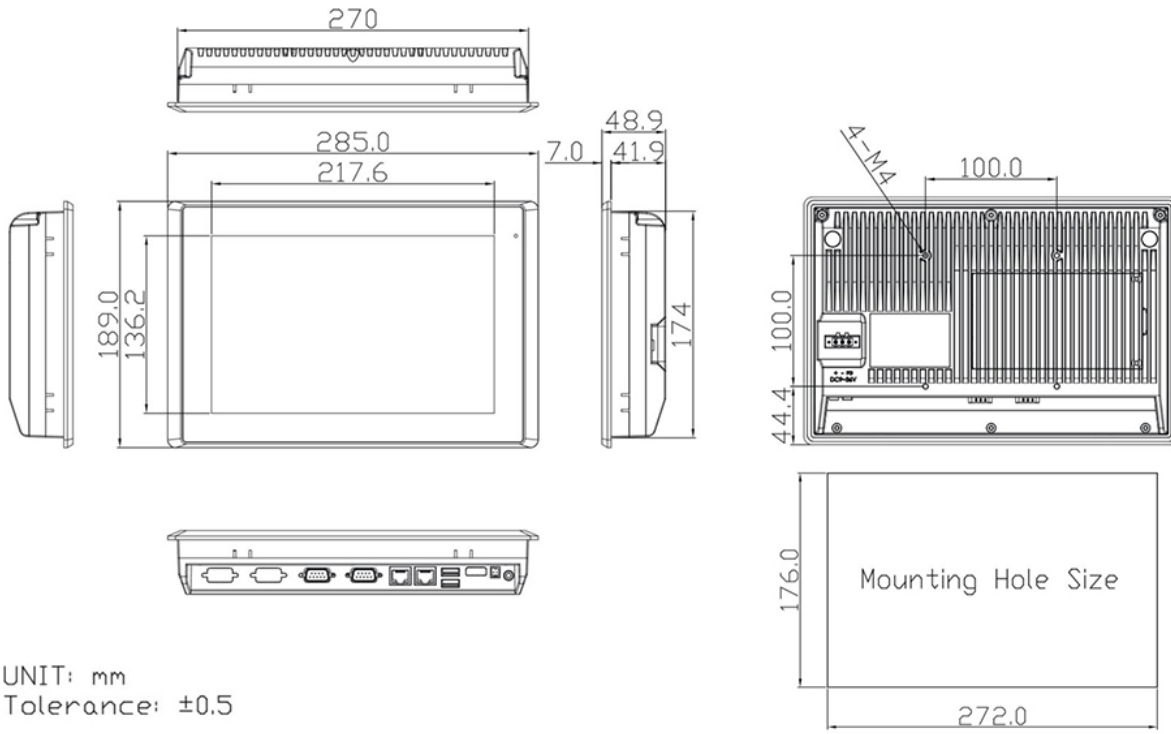
Warranty

Warranty	Up to 5 Years
----------	---------------

Inputs / Outputs



Technical Drawings



UNIT: mm
Tolerance: ±0.5

All specifications are subject to change without notice.