

Features



- Intel Celeron N2930 Quad Core Processor
- Steel Chassis with Aluminum Heatsink
- Wide Operating Temperature
- Wide Range DC Power Input (9~36VDC)
- Ultra Slim, Fanless Design
- Optional 802.11 ac WiFi + Bluetooth 4.0

Technical Specifications

Primary Components

Processor Family	Intel Celeron Bay Trail
Processor Model	N2930
Processor Speed	1.83 GHz
Memory Type	1x DDR3L SO-DIMM
Memory Support	4GB, 8GB
Storage type	1x 2.5" SATA Drive Bay for SSD/HDD
Storage support	32GB-1TB

External I/O ports

USB	4x USB 2.0, 2x USB 3.0
Serial / Com	2x COM
Serial Protocol Detail	1x RS-232/422/485 DB-9, default RS-232(COM1), 1x RS-232 DB-9(COM2/3)
Ethernet / LAN	2x RJ45 GbE LAN
Video Outputs	1x HDMI, 1x VGA
Audio	1x Audio Line-In, 1x Audio Line-Out
Power Input Port	3-Pin DC-In (Phoenix Type)

Power

Input Voltage Range	9-32V DC
Max Power consumption	19W

Thermal and Environmental

Operating Temperature	Array (32°F – 122°F; Optional -4°F – 140°F)
Storage Temperature	Array (-22°F – 158°F)
Storage Humidity	10% – 90% Non-condensing
Cooling Solution	Passive – Fanless with Heatsink

Enclosure

Material	Aluminum
Color	Gray
Led Indicator Light	HDD Access, Power
Control Buttons	Power Button
Mounting Options	Wall Mount
Approved Cleaning Solutions	Acetone, Alcohol, Club Soda, Hydrochloric Acid, Methyl Alcohol, Mineral Spirits, Nitric Acid, Sulfuric Acid (low concentration), Vinegar, Warm Water

Cleaning Instructions [View instructions here](#)

Dimensions / Weight

Weight	1 KG (2.2 lbs)
Dimensions	180 x 130 x 35.5 mm (7.1 x 5.1 x 1.4 in)

Operating Systems

Windows Windows 10 IoT, Windows 10 Pro, Windows 8.1 Pro, Windows 7 Pro

Certification

Certifications CE, FCC Class A

Expansion Slots

Internal Mini PCIe 2x Mini-PCIe

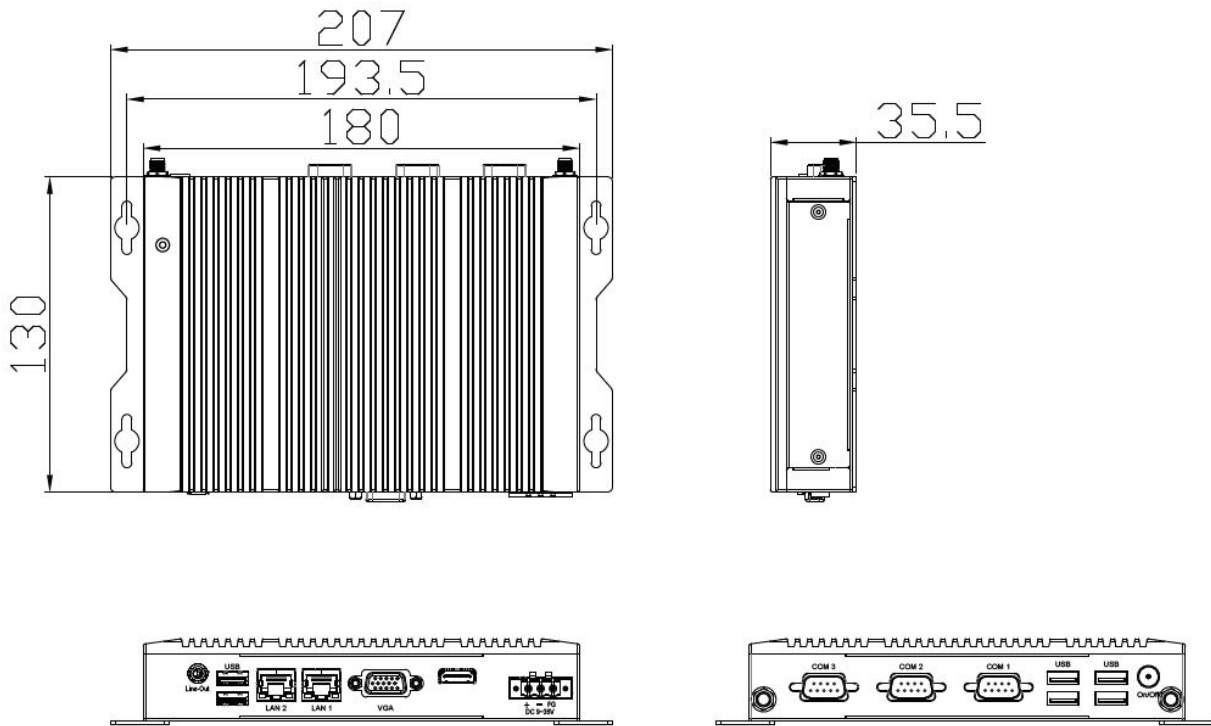
Warranty

Warranty 1 Year

Inputs / Outputs



Technical Drawings



All specifications are subject to change without notice.