



Features

- 21.5" PCAP Touch Display
- 12th Generation Alder Lake-N processor
- Tough form factor for rugged operation
- Options for POE and wide input DC power
- Option to upgrade to Core i3

Technical Specifications

Primäre Komponenten

Processor Family	Intel Core I series 12th Generation Alder Lake
Processor Model	Core i3-N305, Intel Processor N97
Processor Speed	Up to 3.6 GHz, Up to 3.8 GHz
Memory Type	1x DDR4 SO-DIMM
Memory Support	4GB, 8GB, 16GB
Storage Support	128GB-1TB

Display

Screen Size	21.5
Resolution	1920 x 1080 (Full HD)
Screen Ratio	16:9
Brightness	250 nits

Touchscreen

Touch Screen	Projected Capacitive (Multi-touch)
--------------	------------------------------------

Externe E/A-Ports

USB	1x USB 3.0 type C, 2x USB 3.0, 4x USB 2.0
Serial / Com	3x RJ48 COM
Serial Protocol Detail	RS232
Ethernet / LAN	1x RJ45 GbE LAN
Video Outputs	1x DisplayPort via USB-C Alt Mode
Other Ports	1x RJ11
Power Input Port	4-Pole DIN (latching)

Leistung

Input Voltage Range	12-48V DC
Standard Power Adapter	External 19V/3.42A 65W DC Power Adapter (120W Adapter with Powered USB Option)

Betriebssysteme

Windows	Windows 10 IoT, Windows 10 Pro, Windows 11 IoT, Windows 11 Pro
Linux	Linux

Erweiterungssteckplätze

Internal M.2	1x M.2 2230 Key E (for WiFi expansion option), 1x M.2 for NVME SSD Support
Expansion Module support	1x Expansion Board Slot with Options for POE, Wide Range Power, Isolated Serial & LAN and Powered USB

Multimedia

Speakers	1x 3W Speaker
Camera	Optional 5MP Webcam

Thermisch & Umwelt

Operating Temperature	0°C - 40°C (32°F – 104°F)
Storage Temperature	-20°C - 60°C (-4°F – 140°F)
Cooling Solution	Passive
Humidity Range	20% – 85% Non-condensing

Gehäuse

Material	Aluminum
IP Rating	IP54 Front Bezel
Color	Black Touch w/ Silver Border and Black Rear (Default) or White Rear (Optional)
Led Indicator Light	Power
Control Buttons	Power Button, Power Switch
Mounting Options	VESA Mount

Peripheriegeräte und drahtlose Konnektivität

WiFi	Optional WiFi 6 (AX)
Bluetooth	Optional Bluetooth 5.2

Gewicht / Abmessungen

Weight	6 kg (13.2 lbs)
Dimensions	521 x 325 x 47 mm (20.5 x 12.8 x 1.9 in)

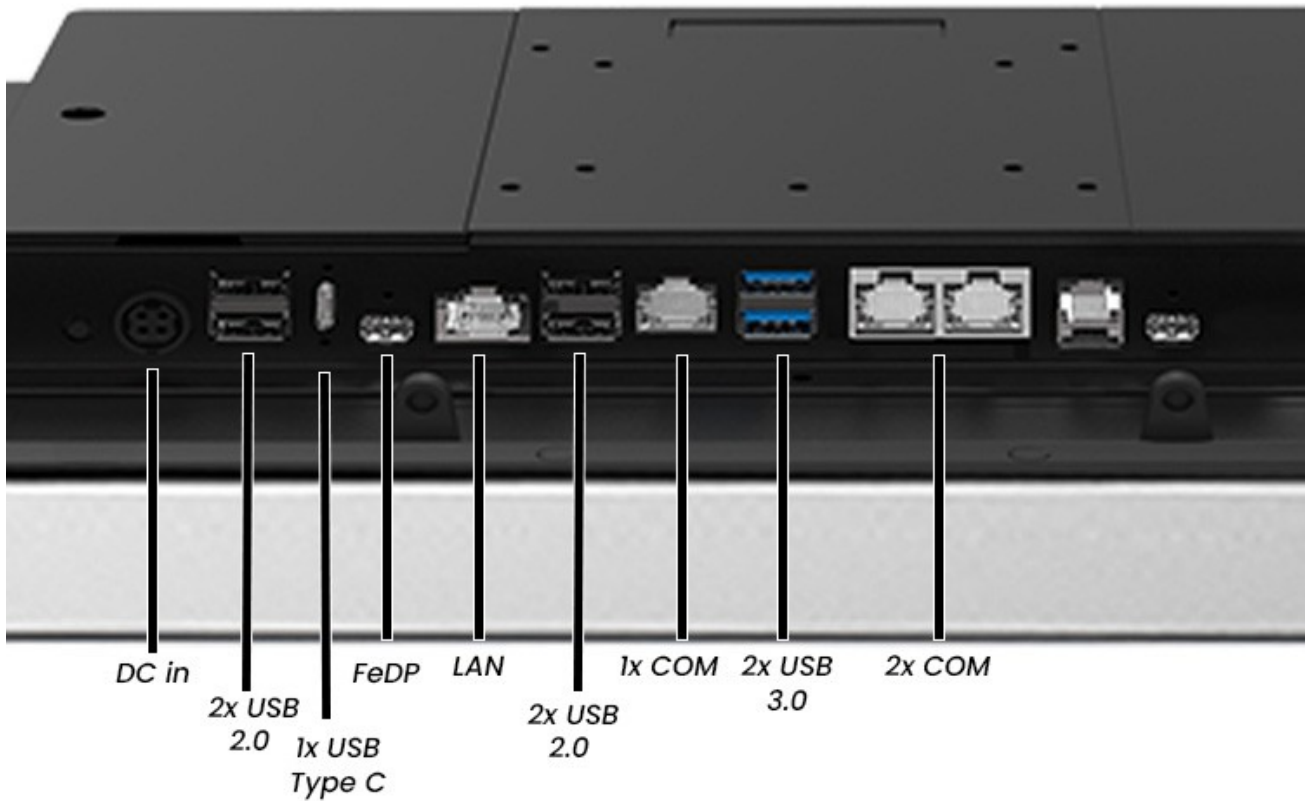
Zertifizierung

Certifications CE, FCC

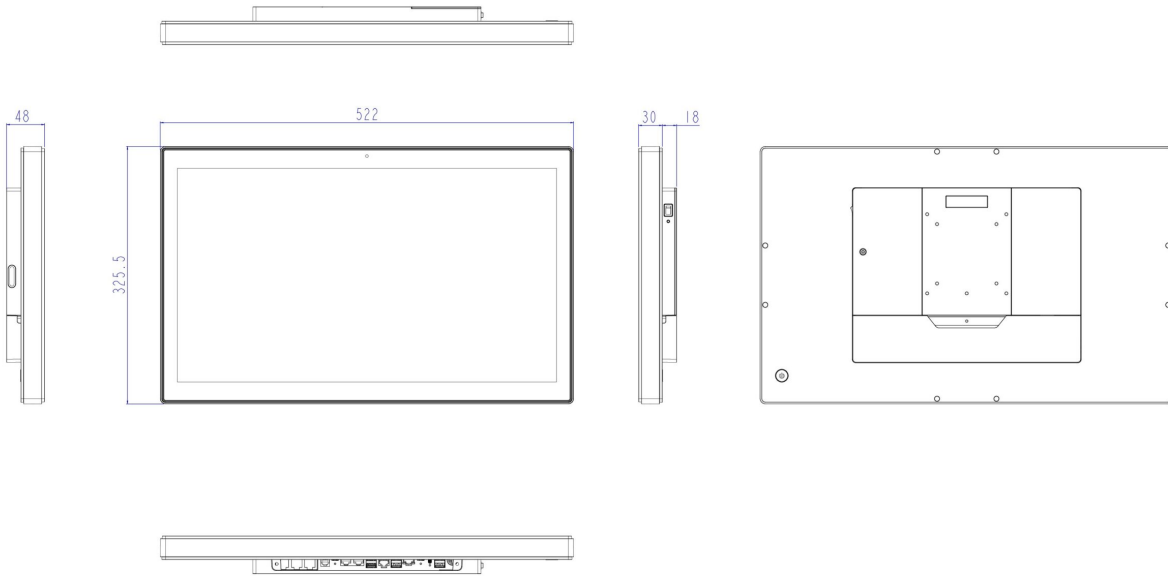
Garantie

Warranty Up to 5 Years

I/O Diagram Images



Tech Diagram Images



All specifications are subject to change without notice.