

TP-3485-12

12.1" All-in-One Industrial PC



Key Highlights

- 12.1" 1024x768 (500 Nit) LCD
- Intel Apollo Lake Pentium N4200 Quad Core CPU
- Fanless Dust Resistant Design
- IP65 Full Flat Front Panel with Resistive Touchscreen
- Rich I/O Support
- Optional Backup Battery

[VIEW ONLINE](#)

The TP-3485-12 is a slim panel PC built to last in harsh settings such as factory floors, production areas and dusty manufacturing environments. This PC has an IP65 rated front panel and the fanless design protects the system's internal parts from dust. The TP-3485-12 has an abundance of I/Os including 4x USB 3.0, 2x USB 2.0 and 2x LAN ports. The 12.1" high resolution resistive touchscreen is ideal for interfacing with an ERP system, viewing sensor information and factory automation. This panel PC has an optional internal backup battery that lasts up to 1.5 hours, so you have plenty of time to back up important data in the case of an unexpected power outage. The optional battery also allows you to move the computer to a different power supply without spending downtime powering down the PC. The TP-3485-12 can be mounted to your OEM machine via its VESA mounting holes, or placed virtually anywhere on your production floor to provide a reliable, long lasting computer solution.

USA

Teguar
2920 Whitehall Park Drive
Charlotte, NC 28273
+1 866-693-3105
sales@teguar.com

EUROPE

Teguar Europe AG
Churerstrasse 54, CH-8808
Pfäffikon, Switzerland
+41 41 561 53 11
sales.EU@teguar.com

ASIA

Teguar Taiwan Ltd.
Rm. A, 28F-12., No.99, Sec. 1, Xintai 5th Rd.,
Xizhi Dist., New Taipei City 221, Taiwan (R.O.C.)
+886 2 7751 5319
sales@teguar.com.tw

Technical Specifications

Primary Components

Processor Family Intel Pentium Apollo Lake

Processor Model N4200

Processor Speed 1.10 GHz

Memory Type 1x DDR3L SO-DIMM

Memory Support 2GB, 4GB, 8GB

Storage Type 1x 2.5" SATA Drive Bay for SSD/HDD, M.2

Storage Support 32GB-1TB

Power

Standard Power Adapter 100~240VAC, Output 9V @ 4.73A

Battery

Battery Type Optional Internal Battery

Battery Operating Time 1.5hrs

Operating Systems

Windows Windows 10 IoT, Windows 10 Pro

Expansion Slots

Video Card Support Intel HD Graphics 505

Thermal & Environmental

Operating Temperature 0°C - 40°C (32°F - 104°F)

Cooling Solution Passive - Fanless

Humidity Range 20% - 90% Non-condensing

Weight / Dimensions

Weight 2.3 kg (5.1 lbs)

Dimensions 313 x 251 x 36.6 mm (12.3 x 9.9 x 1.4 in)

Warranty

Warranty Up to 5 Years

Specifications subject to change.

Display

Screen Size 12.1"

Resolution 1024 x 768 (XGA)

Screen Ratio 4:3

Brightness 500 nits

Touch Screen

Touch Screen Resistive

External I/O Ports

USB 2x USB 2.0, 4x USB 3.0

Serial / Com 3x COM

Serial Protocol Detail 2x RS-232/422/485 (Configurable in BIOS), 1x RS232

Ethernet / LAN 2x RJ45 GbE LAN

Video Outputs 1x DisplayPort, 1x Optional VGA

Audio Ports 1x Optional Line in by RCA Jack

Power Input Port Locking Type

Multimedia

Speakers 2x 2W Speakers

Enclosure

Material Steel

IP Rating IP65 Front Bezel

Color Black

Mounting Options VESA 100 Mount, VESA 75 Mount

Certification

Certifications CE, FCC, IEC 60950-1, VCCI Class B

USA

Teguar
2920 Whitehall Park Drive
Charlotte, NC 28273
+1 866-693-3105
sales@teguar.com

EUROPE

Teguar Europe AG
Churerstrasse 54, CH-8808
Pfäffikon, Switzerland
+41 41 561 53 11
sales.EU@teguar.com

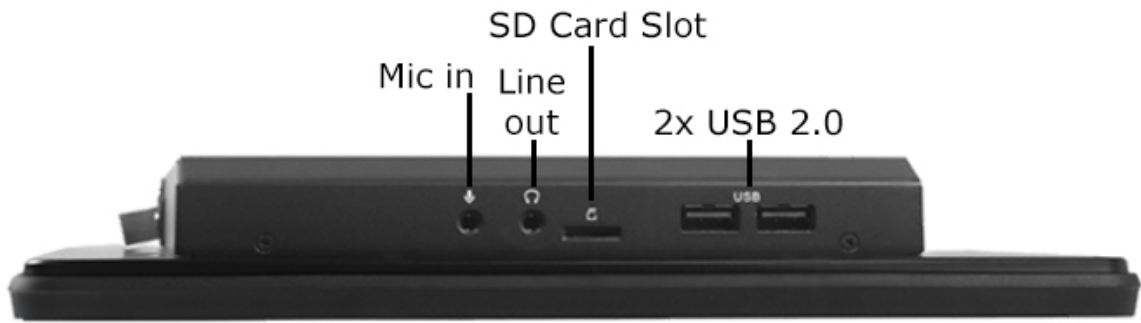
ASIA

Teguar Taiwan Ltd.
Rm. A, 28F-12., No.99, Sec. 1, Xintai 5th Rd.,
Xizhi Dist., New Taipei City 221, Taiwan (R.O.C.)
+886 2 7751 5319
sales@teguar.com.tw

I/O Diagram Images



Bottom



Side

USA

Teguar
2920 Whitehall Park Drive
Charlotte, NC 28273
+1 866-693-3105
sales@teguar.com

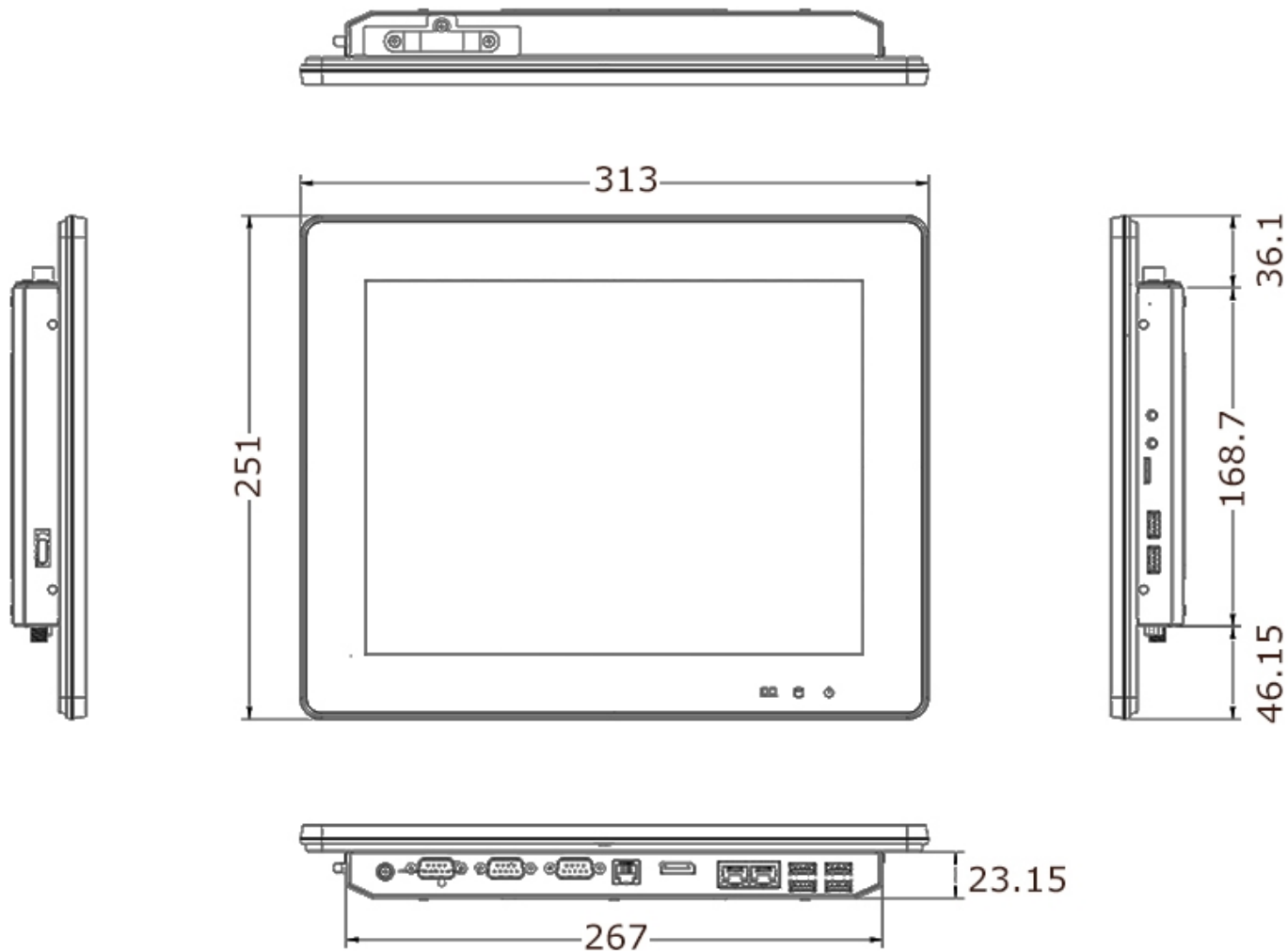
EUROPE

Teguar Europe AG
Churerstrasse 54, CH-8808
Pfäffikon, Switzerland
+41 41 561 53 11
sales.EU@teguar.com

ASIA

Teguar Taiwan Ltd.
Rm. A, 28F-12., No.99, Sec. 1, Xintai 5th Rd.,
Xizhi Dist., New Taipei City 221, Taiwan (R.O.C.)
+886 2 7751 5319
sales@teguar.com.tw

Tech Diagram Images



USA

Teguar
2920 Whitehall Park Drive
Charlotte, NC 28273
+1 866-693-3105
sales@teguar.com

EUROPE

Teguar Europe AG
Churerstrasse 54, CH-8808
Pfäffikon, Switzerland
+41 41 561 53 11
sales.EU@teguar.com

ASIA

Teguar Taiwan Ltd.
Rm. A, 28F-12., No.99, Sec. 1, Xintai 5th Rd.,
Xizhi Dist., New Taipei City 221, Taiwan (R.O.C.)
+886 2 7751 5319
sales@teguar.com.tw