

TP-5045-12

12" Fanless Industrial Computer



Key Highlights

- 12.1" Full Flat Panel Touchscreen
- Intel 6th Gen. Core i3/i5 CPU
- DDR4 2133MHz Memory, up to 16GB
- Fanless Aluminum Housing with IP66 Protected Front
- Optional PoE & Sunlight Readable LCD
- Wide Range 9-36V DC Power Input

[VIEW ONLINE](#)

The TP-5045-12 fanless [panel PC](#) offers superior processing power with the latest Intel 6th generation core i3/i5 CPUs with long life cycle support. The unique compact thermal design includes a rugged die cast aluminum enclosure for fanless operation and durability in high shock and vibration settings. With up to 16GB of DDR4 memory, the TP-5045-12 fanless panel PC is a great solution for most Windows or Linux based applications. An optional PoE (Power over Ethernet) GbE LAN port can be added to simplify cabling. Also, a high-brightness touchscreen option can be chosen for environments with low screen visibility. The TP-5045-12 is great solution for applications such as a data hub for your IoT / IIoT sensors and to run your ERP (Enterprise Resource Planning) software.

USA

Teguar
2920 Whitehall Park Drive
Charlotte, NC 28273
+1 866-693-3105
sales@teguar.com

EUROPE

Teguar Europe AG
Churerstrasse 54, CH-8808
Pfäffikon, Switzerland
+41 41 561 53 11
sales.EU@teguar.com

ASIA

Teguar Taiwan Ltd.
Rm. A, 28F-12., No.99, Sec. 1, Xintai 5th Rd.,
Xizhi Dist., New Taipei City 221, Taiwan (R.O.C.)
+886 2 7751 5319
sales@teguar.com.tw

Technical Specifications

Primary Components

Processor Family	Intel Core I series 6th Generation Skylake
Processor Model	Core i3-6100U
Processor Speed	2.3 GHz
Memory Type	1x DDR4 SO-DIMM
Memory Support	4GB, 8GB, 16GB
Storage Type	1x 2.5" SATA Drive Bay for SSD/HDD
Storage Support	32GB-1TB

Power

Input Voltage Range	9-32V DC
Standard Power Adapter	Optional 12V AC/DC Adapter

Operating Systems

Windows	Windows 10 IoT, Windows 10 Pro, Windows 7 Pro
---------	---

Compatibility

Security Hardware	TPM 2.0
-------------------	---------

Thermal & Environmental

Operating Temperature	0°C - 50°C (32°F - 122°F)
Storage Temperature	-20°C - 60°C (-4°F - 140°F)
Cooling Solution	Passive - Fanless with Heatsink
Humidity Range	10% - 90% Non-condensing

Weight / Dimensions

Weight	2.8 kg (6.2 lbs)
Dimensions	319 x 52 x 245 mm (12.6 x 2.0 x 9.6 in)

Specifications subject to change.

Display

Screen Size	12.1"
Screen Ratio	4:3
Brightness	450 nits, Optional 1000 nit High Brightness

Touch Screen

Touch Screen	Projected Capacitive, Resistive
--------------	---------------------------------

External I/O Ports

USB	2x USB 3.0
Serial / Com	2x COM
Serial Protocol Detail	1x RS-232/422/485 DB-9, Default RS-232(COM 1), 1x RS-232 DB-9(COM2)
Ethernet / LAN	2x RJ45 GbE LAN
Video Outputs	1x HDMI
Other Ports	1x 2-Pin DC Power Switch Connector
Power Input Port	3-Pin DC-In (Phoenix Type), Optional POE+, 45W with 2x USB 2.0

Expansion Slots

SD card	1x Full Size SD Slot
---------	----------------------

Enclosure

Material	Aluminum
IP Rating	IP66 Front Bezel
Mounting Options	Panel Mount, VESA Mount

Certification

Certifications	CE, FCC Class A
----------------	-----------------

Warranty

Warranty	1 Year
----------	--------

USA

Teguar
2920 Whitehall Park Drive
Charlotte, NC 28273
+1 866-693-3105
sales@teguar.com

EUROPE

Teguar Europe AG
Churerstrasse 54, CH-8808
Pfäffikon, Switzerland
+41 41 561 53 11
sales.EU@teguar.com

ASIA

Teguar Taiwan Ltd.
Rm. A, 28F-12., No.99, Sec. 1, Xintai 5th Rd.,
Xizhi Dist., New Taipei City 221, Taiwan (R.O.C.)
+886 2 7751 5319
sales@teguar.com.tw

I/O Diagram Images



USA

Teguar
2920 Whitehall Park Drive
Charlotte, NC 28273
+1 866-693-3105
sales@teguar.com

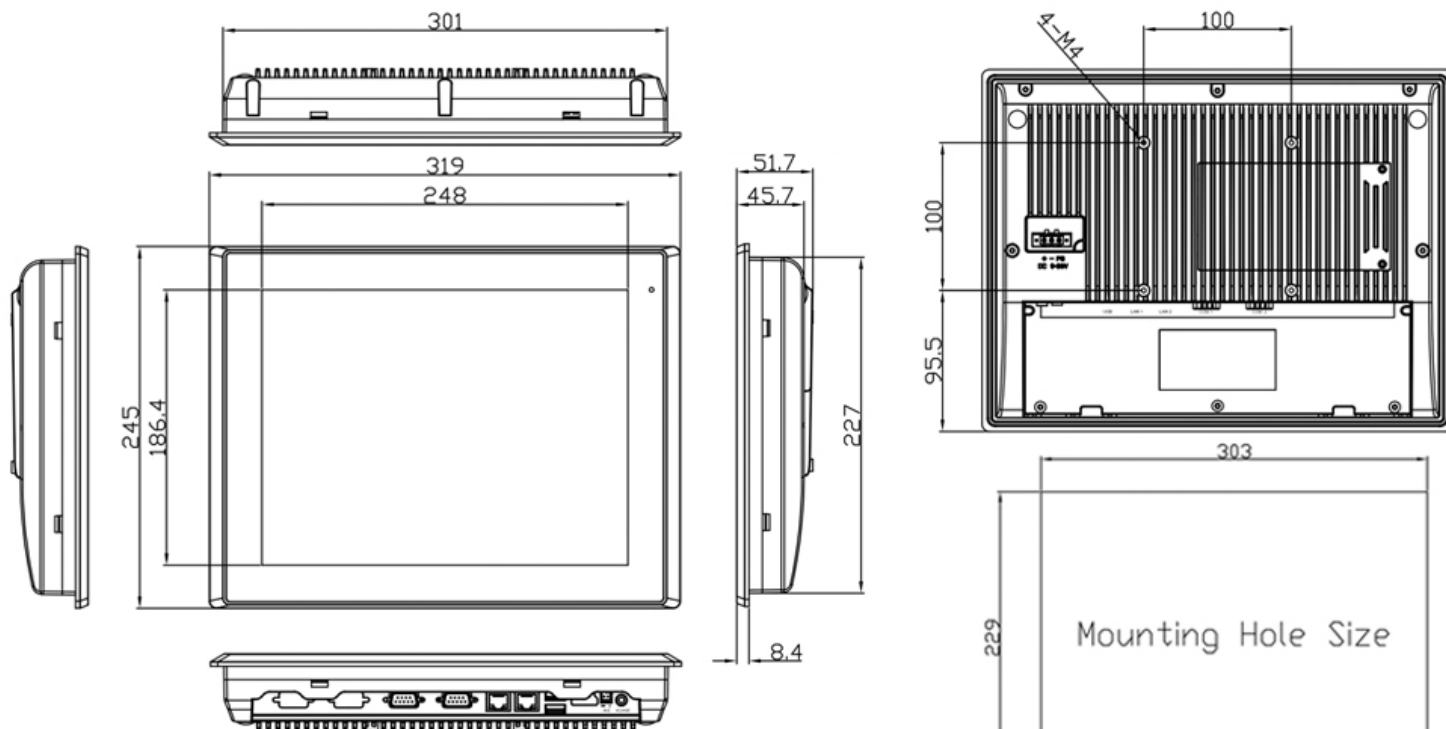
EUROPE

Teguar Europe AG
Churerstrasse 54, CH-8808
Pfäffikon, Switzerland
+41 41 561 53 11
sales.EU@teguar.com

ASIA

Teguar Taiwan Ltd.
Rm. A, 28F-12., No.99, Sec. 1, Xintai 5th Rd.,
Xizhi Dist., New Taipei City 221, Taiwan (R.O.C.)
+886 2 7751 5319
sales@teguar.com.tw

Tech Diagram Images



UNIT: mm
Tolerance: ± 0.5

USA

Teguar
2920 Whitehall Park Drive
Charlotte, NC 28273
+1 866-693-3105
sales@teguar.com

EUROPE

Teguar Europe AG
Churerstrasse 54, CH-8808
Pfäffikon, Switzerland
+41 41 561 53 11
sales.EU@teguar.com

ASIA

Teguar Taiwan Ltd.
Rm. A, 28F-12., No.99, Sec. 1, Xintai 5th Rd.,
Xizhi Dist., New Taipei City 221, Taiwan (R.O.C.)
+886 2 7751 5319
sales@teguar.com.tw