

TS-2945-17

17" Waterproof All-in-One PC



Key Highlights

- 17" Full Flush LCD Touchscreen
- Intel Celeron N2930 CPU with SoC
- IP66 Rated, Fully Sealed, Fanless Design
- Resistive or Projected Capacitive Touchscreen
- Easy to Clean with Touchscreen On/Off Button
- Optional PoE LAN Port for System Power

[VIEW ONLINE](#)

The TS-2945-17 Touchscreen Waterproof Computer is an ideal 17" HMI replacement for manufacturing environments where water, dust, or harsh chemicals are present. The fully sealed SUS304 stainless steel housing makes it ideal for food and beverage processing where corrosion resistance is needed. The fully fanless cooling system and IP66 rated housing ensure that you can confidently place this PC into the most demanding workplaces. Optional PoE (Power Over Ethernet) simplifies cable design, and makes installation of the units a breeze, as the system can be directly powered from a PoE source without the need for an external power supply. Built with industrial-grade components, this All-in-One PC supports a wide temperature range to allow for placement in a variety of environments.

This product is now considered "Previous Generation" meaning it may or may not still be available for purchase. Call +1 800 870 7715 for details on this product or check out our full list of currently available [Waterproof Computers](#).

USA

Teguar
2920 Whitehall Park Drive
Charlotte, NC 28273
+1 866-693-3105
sales@teguar.com

EUROPE

Teguar Europe AG
Churerstrasse 54, CH-8808
Pfäffikon, Switzerland
+41 41 561 53 11
sales.EU@teguar.com

ASIA

Teguar Taiwan Ltd.
Rm. A, 28F-12., No.99, Sec. 1, Xintai 5th Rd.,
Xizhi Dist., New Taipei City 221, Taiwan (R.O.C.)
+886 2 7751 5319
sales@teguar.com.tw

Technical Specifications

Primary Components

Processor Family	Intel Celeron Bay Trail
Processor Model	N2930
Processor Speed	1.83 GHz
Memory Type	Onboard DDR3
Memory Support	4GB
Storage Type	1x 2.5" SATA Drive Bay for SSD/HDD
Storage Support	32GB-1TB

Power

Input Voltage Range	9-36V DC
---------------------	----------

Operating Systems

Windows	Windows 10 IoT, Windows 10 Pro, Windows 8.1 Pro
---------	---

Thermal & Environmental

Operating Temperature	0°C - 50°C (32°F - 122°F), -20°C - 60°C (Optional -4°F - 140°F)
Storage Temperature	-30°C - 70°C (-22°F - 158°F)
Cooling Solution	Passive - Fanless
Humidity Range	10% - 90% Non-condensing

Peripherals & Wireless Connectivity

RFID	Optional RFID Module
------	----------------------

Weight / Dimensions

Weight	7.1 kg (15.7 lbs)
Dimensions	432 x 358 x 55.3 mm (17.0 x 14.1 x 2.2 in)

Specifications subject to change.

Display

Screen Size	17"
Resolution	1280 x 1024 (SXGA)
Screen Ratio	4:3
Brightness	350 nits, Optional 1000 nit High Brightness

Touch Screen

Touch Screen	Projected Capacitive, Resistive
--------------	---------------------------------

External I/O Ports

USB	2x MI2 8Pin for USB 1/2 and USB 3/4
Serial / Com	1x COM
Serial Protocol Detail	1x MI2 8Pin for RS-232/422/485 COM Port
Ethernet / LAN	1x MI2 8pin RJ45 Gbe LAN
Power Input Port	MI2 type 3-PIN DC-in

Enclosure

Material	Optional SUS316 Stainless Steel, SUS304 Stainless Steel
IP Rating	IP66
Color	Stainless Steel
Control Buttons	Power Button, Power Switch
Mounting Options	Side Mount, VESA 75 Mount

Certification

Certifications	CE, FCC Class A
----------------	-----------------

Warranty

Warranty	Up to 5 Years
----------	---------------

USA

Teguar
2920 Whitehall Park Drive
Charlotte, NC 28273
+1 866-693-3105
sales@teguar.com

EUROPE

Teguar Europe AG
Churerstrasse 54, CH-8808
Pfäffikon, Switzerland
+41 41 561 53 11
sales.EU@teguar.com

ASIA

Teguar Taiwan Ltd.
Rm. A, 28F-12., No.99, Sec. 1, Xintai 5th Rd.,
Xizhi Dist., New Taipei City 221, Taiwan (R.O.C.)
+886 2 7751 5319
sales@teguar.com.tw

I/O Diagram Images



USA

Teguar
2920 Whitehall Park Drive
Charlotte, NC 28273
+1 866-693-3105
sales@teguar.com

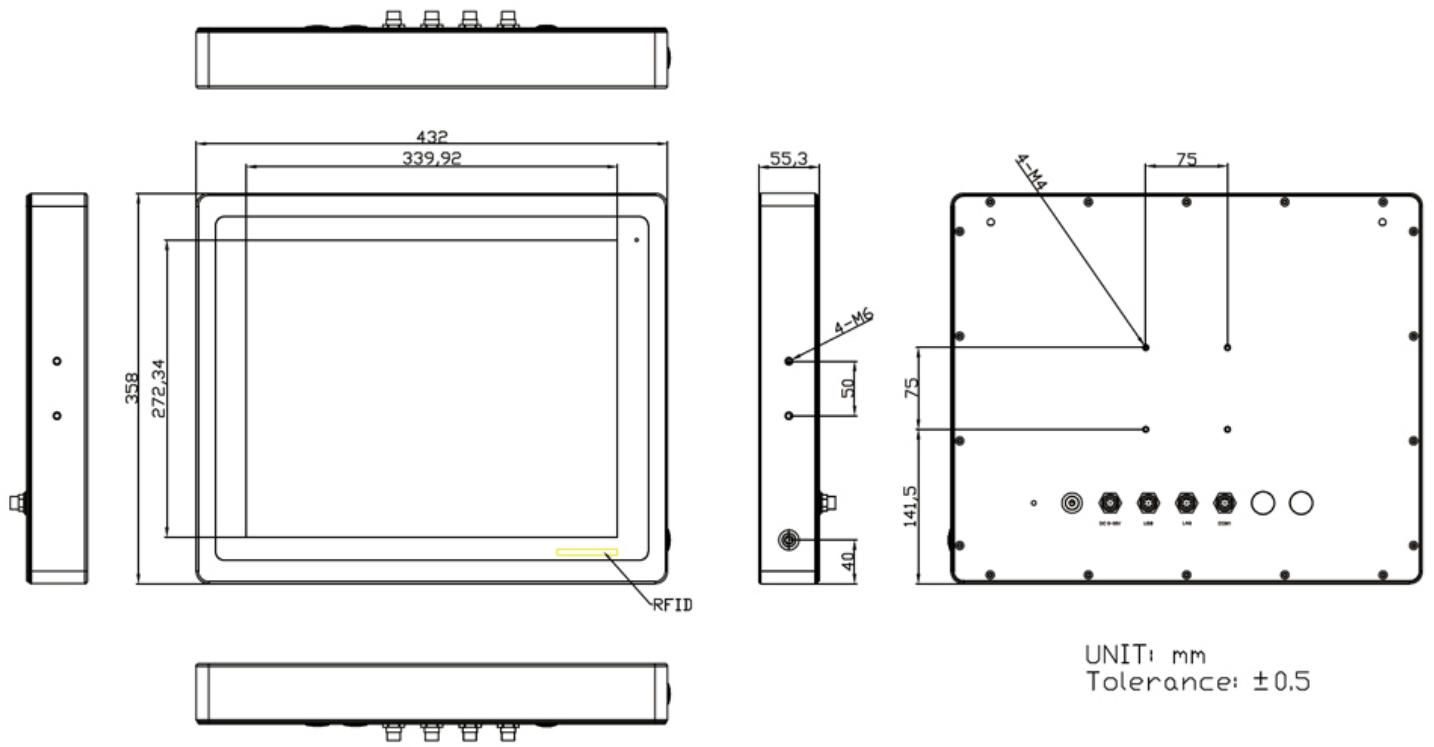
EUROPE

Teguar Europe AG
Churerstrasse 54, CH-8808
Pfäffikon, Switzerland
+41 41 561 53 11
sales.EU@teguar.com

ASIA

Teguar Taiwan Ltd.
Rm. A, 28F-12., No.99, Sec. 1, Xintai 5th Rd.,
Xizhi Dist., New Taipei City 221, Taiwan (R.O.C.)
+886 2 7751 5319
sales@teguar.com.tw

Tech Diagram Images



USA

Teguar
2920 Whitehall Park Drive
Charlotte, NC 28273
+1 866-693-3105
sales@teguar.com

EUROPE

Teguar Europe AG
Churerstrasse 54, CH-8808
Pfäffikon, Switzerland
+41 41 561 53 11
sales.EU@teguar.com

ASIA

Teguar Taiwan Ltd.
Rm. A, 28F-12., No.99, Sec. 1, Xintai 5th Rd.,
Xizhi Dist., New Taipei City 221, Taiwan (R.O.C.)
+886 2 7751 5319
sales@teguar.com.tw