

TM-5040-18I

18.5" Industrial Computer



Key Highlights

- 18.5" True Flat IP65 Protected Touchscreen
- Intel Skylake Celeron/i5 Dual-core CPU
- Isolated RS232, LAN and USB Available
- Slim, Fanless Design
- TPM 2.0, Intel vPro Supported*

[VIEW ONLINE](#)

The TM-5040-18 All-in-One PC has a large 18.5" widescreen p-cap touch display. The front of this PC is full-flush, preventing the built up of debris in corners and crevices, and IP65 rated, protecting it from spills and sprays and daily cleanings with industrial-grade cleaners. Running the Skylake Celeron/i5 processor and a fanless cooling system, this unit is ready for reliable use in any manufacturing facility. The TM-5040-18 is guaranteed to operate in temperatures as low as 0°C (32°F) or as high as 40°C (104°F) making it the perfect computer for your industrial environment.

*TPM 2.0 and Intel vPro only available with Core i5

USA

Teguar
2920 Whitehall Park Drive
Charlotte, NC 28273
+1 866-693-3105
sales@teguar.com

EUROPE

Teguar Europe AG
Churerstrasse 54, CH-8808
Pfäffikon, Switzerland
+41 41 561 53 11
sales.EU@teguar.com

ASIA

Teguar Taiwan Ltd.
Rm. A, 28F-12., No.99, Sec. 1, Xintai 5th Rd.,
Xizhi Dist., New Taipei City 221, Taiwan (R.O.C.)
+886 2 7751 5319
sales@teguar.com.tw

Technical Specifications

Primary Components

Processor Family	Intel Celeron or Core I 6th Generation Skylake
Processor Model	Celeron 3955U; Core- i5-6300U
Processor Speed	Base 2.0 GHz
Memory Type	2x DDR4 SO-DIMM
Memory Support	4GB, 8GB, 16GB, 32GB
Storage Type	1x 2.5" SATA Drive Bay for SSD/HDD (easily accessible)
Storage Support	32GB-1TB

Power

Input Voltage Range	12-48V DC
Standard Power Adapter	65W/19V AC/DC Adapter

Operating Systems

Windows	Windows 10 IoT, Windows 10 Pro
Linux	Linux (Contact your sales rep for more information)

Compatibility

Security Hardware	TPM 2.0, Intel vPro *Not available with Celeron
-------------------	---

Multimedia

Speakers	2x 2W Speakers
Camera	2MP Webcam

Enclosure

Material	Aluminum
IP Rating	IP65 Front Bezel
Color	Black
Mounting Options	VESA 75 Mount

Weight / Dimensions

Weight	6.8 kg (15.0 lbs)
Dimensions	464 x 48 x 284 mm (18.3 x 1.9 x 11.2 in)

Display

Screen Size	18.5"
Resolution	1366 x 768
Screen Ratio	16:9
Brightness	250 nits

Touch Screen

Touch Screen	Projected Capacitive
--------------	----------------------

External I/O Ports

USB	4x USB 3.0
Serial / Com	2x COM
Serial Protocol Detail	RJ-48, Supports RS-232
Ethernet / LAN	2x RJ45 GbE LAN
Video Outputs	1x HDMI
Other Ports	Optional Isolated I/O: RS-232, RJ45 LAN, USB
Audio Ports	1x Audio Line-Out

Expansion Slots

Internal M.2	1x M.2 Slot half-size Type E
--------------	------------------------------

Thermal & Environmental

Operating Temperature	0°C - 40°C (32°F - 104°F)
Storage Temperature	-20°C - 60°C (-4°F - 140°F)
Cooling Solution	Passive - Fanless
Humidity Range	20% - 85% Non-condensing

Peripherals & Wireless Connectivity

WiFi	Optional 802.11 b/g/n WLAN card and Bluetooth 4.0
------	---

Certification

Certifications	60601-1 4th Edition
----------------	---------------------

Warranty

Warranty	Up to 5 Years
----------	---------------

Specifications subject to change.

USA

Teguar
2920 Whitehall Park Drive
Charlotte, NC 28273
+1 866-693-3105
sales@teguar.com

EUROPE

Teguar Europe AG
Churerstrasse 54, CH-8808
Pfäffikon, Switzerland
+41 41 561 53 11
sales.EU@teguar.com

ASIA

Teguar Taiwan Ltd.
Rm. A, 28F-12., No.99, Sec. 1, Xintai 5th Rd.,
Xizhi Dist., New Taipei City 221, Taiwan (R.O.C.)
+886 2 7751 5319
sales@teguar.com.tw

I/O Diagram Images



USA

Teguar
2920 Whitehall Park Drive
Charlotte, NC 28273
+1 866-693-3105
sales@teguar.com

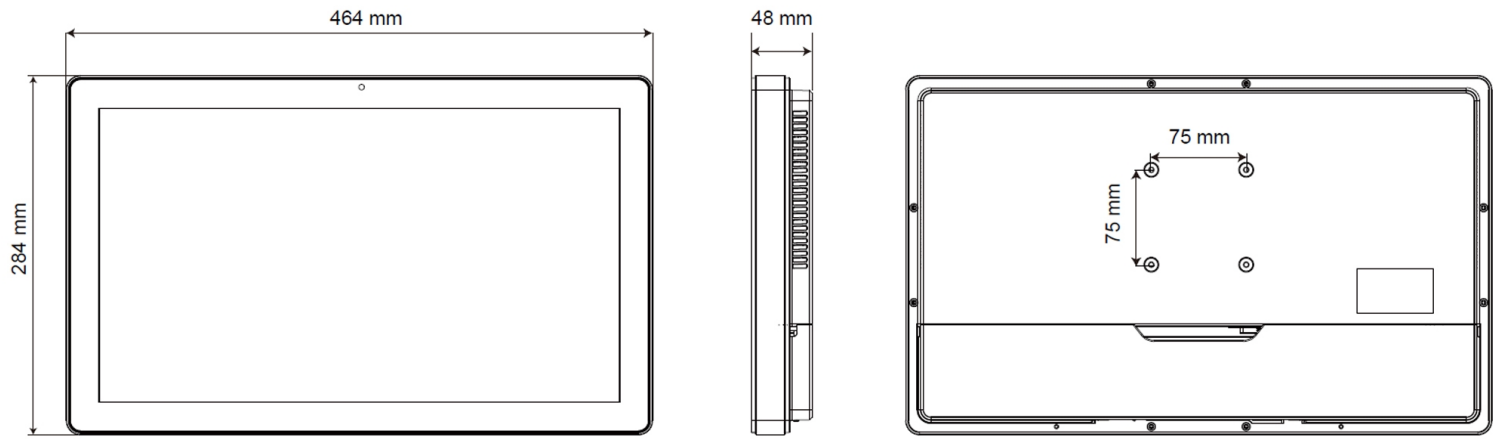
EUROPE

Teguar Europe AG
Churerstrasse 54, CH-8808
Pfäffikon, Switzerland
+41 41 561 53 11
sales.EU@teguar.com

ASIA

Teguar Taiwan Ltd.
Rm. A, 28F-12., No.99, Sec. 1, Xintai 5th Rd.,
Xizhi Dist., New Taipei City 221, Taiwan (R.O.C.)
+886 2 7751 5319
sales@teguar.com.tw

Tech Diagram Images



USA

Teguar
2920 Whitehall Park Drive
Charlotte, NC 28273
+1 866-693-3105
sales@teguar.com

EUROPE

Teguar Europe AG
Churerstrasse 54, CH-8808
Pfäffikon, Switzerland
+41 41 561 53 11
sales.EU@teguar.com

ASIA

Teguar Taiwan Ltd.
Rm. A, 28F-12., No.99, Sec. 1, Xintai 5th Rd.,
Xizhi Dist., New Taipei City 221, Taiwan (R.O.C.)
+886 2 7751 5319
sales@teguar.com.tw