

# TSC-5010-19

19" IP69K PC



## Key Highlights

- 19" Resistive or PCap Touchscreen
- 6th Gen Intel Core i5 CPU
- Cable Gland for Sealed I/O Connections
- Fully Waterproof, Fanless Design
- IP66, IP69K, Optional IP67

[VIEW ONLINE](#)

This stainless steel computer has IP66/IP69K rated housing, to withstand high-pressure, high-temperature waterjets, commonly used in food and beverage processing, pharmaceutical manufacturing, and other clean room environments. Teguar's TSC-5010-19 has a sealed I/O design that allows you to use standard cables with the I/O ports. So you don't need custom M12 cables and none of the I/O connections are exposed. This PC also has a 19" touchscreen available in resistive or P-Cap touch, and with high brightness and optical bonding. The TSC-5010-19 runs on an Intel 6th Gen Core i5 CPU and has the option for TPM 2.0 hardware security. **This product is now considered "Previous Generation" meaning it may or may not still be available for purchase. Call +1 800 870 7715 for details on this product or check out our full list of currently available [Waterproof Computers](#).**

### USA

Teguar  
2920 Whitehall Park Drive  
Charlotte, NC 28273  
+1 866-693-3105  
sales@teguar.com

### EUROPE

Teguar Europe AG  
Churerstrasse 54, CH-8808  
Pfäffikon, Switzerland  
+41 41 561 53 11  
sales.EU@teguar.com

### ASIA

Teguar Taiwan Ltd.  
Rm. A, 28F-12., No.99, Sec. 1, Xintai 5th Rd.,  
Xizhi Dist., New Taipei City 221, Taiwan (R.O.C.)  
+886 2 7751 5319  
sales@teguar.com.tw

# Technical Specifications

## Primary Components

Processor Family	Intel Core I series 6th Generation Skylake
Processor Model	Core i5-6200U
Processor Speed	2.3 GHz
Memory Type	2x DDR4 SO-DIMM
Memory Support	4GB, 8GB, 16GB, 32GB
Storage Type	1x 2.5" SATA Drive Bay for SSD/HDD
Storage Support	32GB-1TB

## External I/O Ports

USB	4x USB 3.0
Serial / Com	2x COM
Serial Protocol Detail	1x RS-232, 1x RS-232/422/485 *Jumperless configuration in BIOS)
Ethernet / LAN	2x RJ45 GbE LAN
Video Outputs	2x DisplayPort
Audio Ports	1x Audio Line-Out
Power Input Port	M12 type 5-PIN DC-in

## Multimedia

Speakers	Optional Speaker
----------	------------------

## Enclosure

Material	Optional SUS316 Stainless Steel, SUS304 Stainless Steel
IP Rating	IP66, IP69K, Optional IP67
Color	Stainless Steel
Control Buttons	Power Button
Mounting Options	Table Mount, VESA 100 Mount, Wall Mount

## Weight / Dimensions

Weight	16.3 KG kg (35.9 lbs)
Dimensions	458 x 396 x 105 mm (18.0 x 15.6 x 4.1 in)

## Warranty

Warranty	Up to 5 Years
----------	---------------

Specifications subject to change.

## Display

Screen Size	19
Resolution	1280 x 1024 (SXGA)
Screen Ratio	5:4
Brightness	350 nits, Optional 1000 nit High Brightness

## Touch Screen

Touch Screen	Projected Capacitive, Resistive
Hardness	3H

## Power

Input Voltage Range	9-32V DC
Max Power Consumption	69.2W
Standard Power Adapter	AC 100 ~ 240V / 47 ~ 63 Hz ? DC Output 12V, IP68, AC Cable 2130MM

## Operating Systems

Windows	Windows 10 IoT, Windows 10 Pro, Windows 7 Pro
---------	---

## Compatibility

Security Hardware	Optional TPM 2.0
-------------------	------------------

## Thermal & Environmental

Operating Temperature	0°C - 40°C (32°F - 104°F)
Storage Temperature	-20°C - 60°C (-4°F - 140°F)
Cooling Solution	Passive - Fanless
Humidity Range	10% - 90% Non-condensing
Storage Humidity	10% - 90% Non-condensing

## Peripherals & Wireless Connectivity

WiFi	Optional WiFi + Bluetooth Flat Antenna Kit
Barcode Scanner	Optional 1D/2D Barcode Scanner

## Certification

Certifications	CE, FCC, VCCI Class B
----------------	-----------------------

### USA

Teguar  
2920 Whitehall Park Drive  
Charlotte, NC 28273  
+1 866-693-3105  
sales@teguar.com

### EUROPE

Teguar Europe AG  
Churerstrasse 54, CH-8808  
Pfäffikon, Switzerland  
+41 41 561 53 11  
sales.EU@teguar.com

### ASIA

Teguar Taiwan Ltd.  
Rm. A, 28F-12., No.99, Sec. 1, Xintai 5th Rd.,  
Xizhi Dist., New Taipei City 221, Taiwan (R.O.C.)  
+886 2 7751 5319  
sales@teguar.com.tw

## I/O Diagram Images



### USA

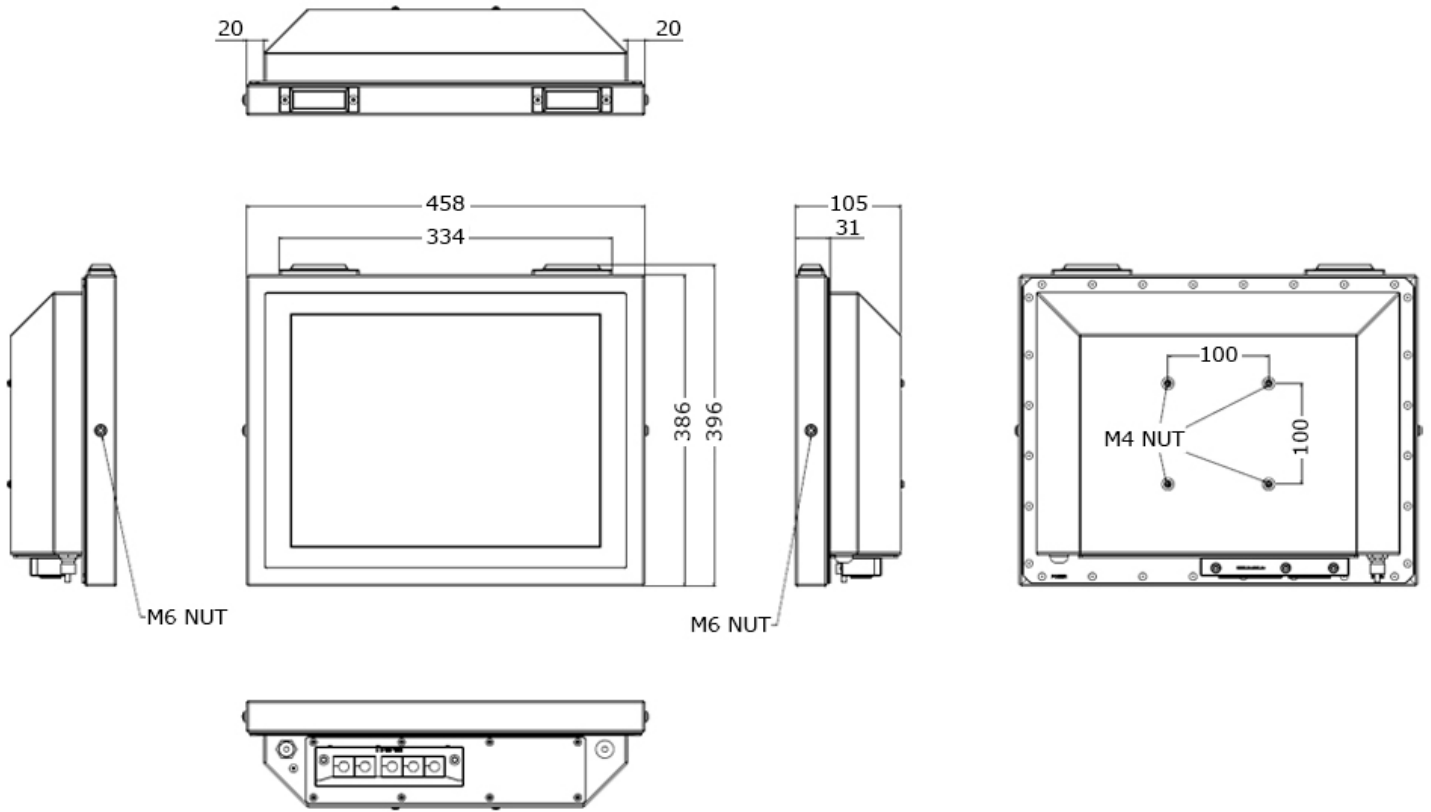
Teguar  
2920 Whitehall Park Drive  
Charlotte, NC 28273  
+1 866-693-3105  
sales@teguar.com

### EUROPE

Teguar Europe AG  
Churerstrasse 54, CH-8808  
Pfäffikon, Switzerland  
+41 41 561 53 11  
sales.EU@teguar.com

### ASIA

Teguar Taiwan Ltd.  
Rm. A, 28F-12., No.99, Sec. 1, Xintai 5th Rd.,  
Xizhi Dist., New Taipei City 221, Taiwan (R.O.C.)  
+886 2 7751 5319  
sales@teguar.com.tw



**USA**

Teguar  
2920 Whitehall Park Drive  
Charlotte, NC 28273  
+1 866-693-3105  
sales@teguar.com

**EUROPE**

Teguar Europe AG  
Churerstrasse 54, CH-8808  
Pfäffikon, Switzerland  
+41 41 561 53 11  
sales.EU@teguar.com

**ASIA**

Teguar Taiwan Ltd.  
Rm. A, 28F-12., No.99, Sec. 1, Xintai 5th Rd.,  
Xizhi Dist., New Taipei City 221, Taiwan (R.O.C.)  
+886 2 7751 5319  
sales@teguar.com.tw