

# TD-45-07

## 7" Industrial Monitor



### Key Highlights

- 7" LCD with 800 x 480 Resolution
- Solid Aluminum Die Cast Enclosure
- Optional High Brightness 1000 Nit LCD
- Wide Range DC 9~36V Power Input
- IP66 Compliant Front Panel
- Resistive or Projected Capacitive Touchscreen

[VIEW ONLINE](#)

The TD-45-07 is a [versatile industrial display](#) that can be mounted into a cutout in an enclosure or it can be mounted to an arm, stand, or hung from a surface. When panel mounted, the front bezel is IP66 rated for protection from liquids and dust. The TD-45-07 has a wide range 9~36VDC power input for applications that use their own DC voltage source. An optional AC-to-DC power supply is also available for AC powered applications. This compact display is less than 8" wide and weighs only 1 kg, and the same model is available in screen sizes up to 21.5". This touchscreen monitor can be connected to any computer including a rugged fanless box PC or to another touchscreen panel PC, allowing multiple users to control the same computer from multiple different touchscreen interfaces.

#### USA

Teguar  
2920 Whitehall Park Drive  
Charlotte, NC 28273  
+1 866-693-3105  
sales@teguar.com

#### EUROPE

Teguar Europe AG  
Churerstrasse 54, CH-8808  
Pfäffikon, Switzerland  
+41 41 561 53 11  
sales.EU@teguar.com

#### ASIA

Teguar Taiwan Ltd.  
Rm. A, 28F-12., No.99, Sec. 1, Xintai 5th Rd.,  
Xizhi Dist., New Taipei City 221, Taiwan (R.O.C.)  
+886 2 7751 5319  
sales@teguar.com.tw

# Technical Specifications

## Display

Screen Size	7"
Screen Ratio	5:03
Brightness	350 nits, Optional 1000 nit High Brightness

## Power

Input Voltage Range	9-32V DC
Max Power Consumption	4.2W
Standard Power Adapter	Optional 12V AC/DC Adapter

## Enclosure

Material	Aluminum
IP Rating	IP66 Front Bezel
Color	Silver
Mounting Options	Panel Mount, VESA Mount
Approved Cleaning Solutions	Acetone, Alcohol, Club Soda, Hydrochloric Acid, Methyl Alcohol, Mineral Spirits, Nitric Acid, Sulfuric Acid (low concentration), Vinegar, Warm Water

## Warranty

Warranty	Up to 5 Years
----------	---------------

*Specifications subject to change.*

## Touch Screen

Touch Screen	Projected Capacitive, Resistive
--------------	---------------------------------

## External I/O Ports

Audio Ports	1x 3.5mm Audio Line-Out
Power Input Port	3-Pin DC-In (Phoenix Type)

## Thermal & Environmental

Operating Temperature	0°C - 50°C (32°F - 122°F), -20°C - 60°C (Optional -4°F - 140°F)
Storage Temperature	-30°C - 70°C (-22°F - 158°F)
Cooling Solution	Passive - Fanless
Storage Humidity	10% - 90% Non-condensing

## Weight / Dimensions

Weight	1 kg (2.2 lbs)
Dimensions	202 x 149 x 40 mm (8.0 x 5.9 x 1.6 in)

## Certification

Certifications	CE, FCC Class A
----------------	-----------------

### USA

Teguar  
2920 Whitehall Park Drive  
Charlotte, NC 28273  
+1 866-693-3105  
sales@teguar.com

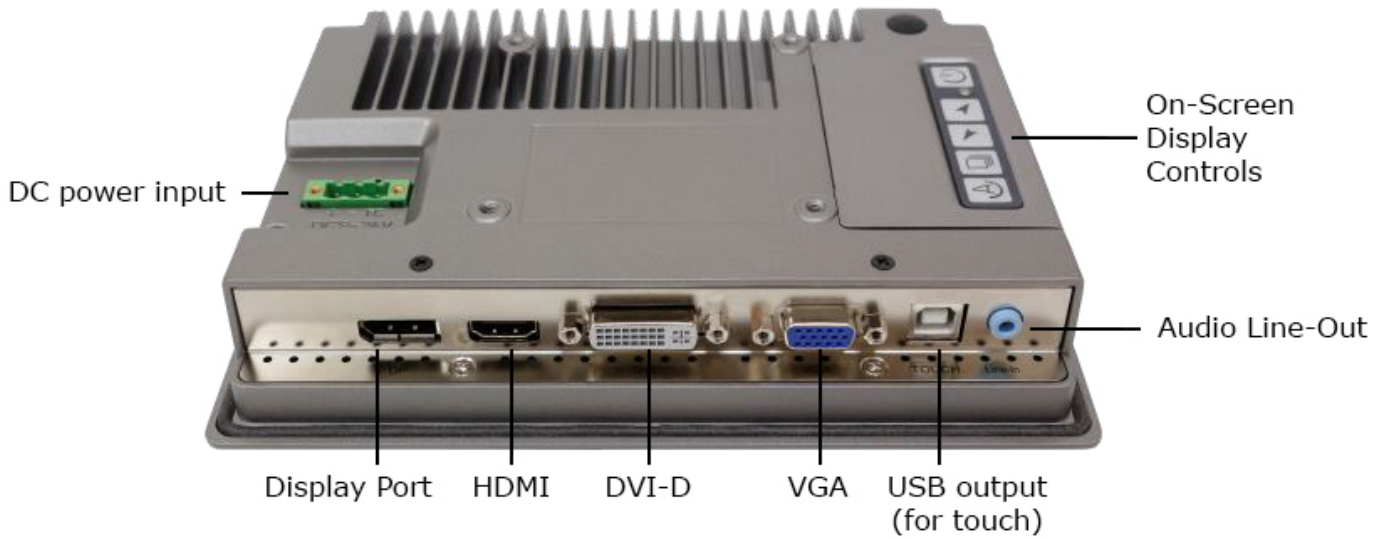
### EUROPE

Teguar Europe AG  
Churerstrasse 54, CH-8808  
Pfäffikon, Switzerland  
+41 41 561 53 11  
sales.EU@teguar.com

### ASIA

Teguar Taiwan Ltd.  
Rm. A, 28F-12., No.99, Sec. 1, Xintai 5th Rd.,  
Xizhi Dist., New Taipei City 221, Taiwan (R.O.C.)  
+886 2 7751 5319  
sales@teguar.com.tw

## I/O Diagram Images



### USA

Teguar  
2920 Whitehall Park Drive  
Charlotte, NC 28273  
+1 866-693-3105  
sales@teguar.com

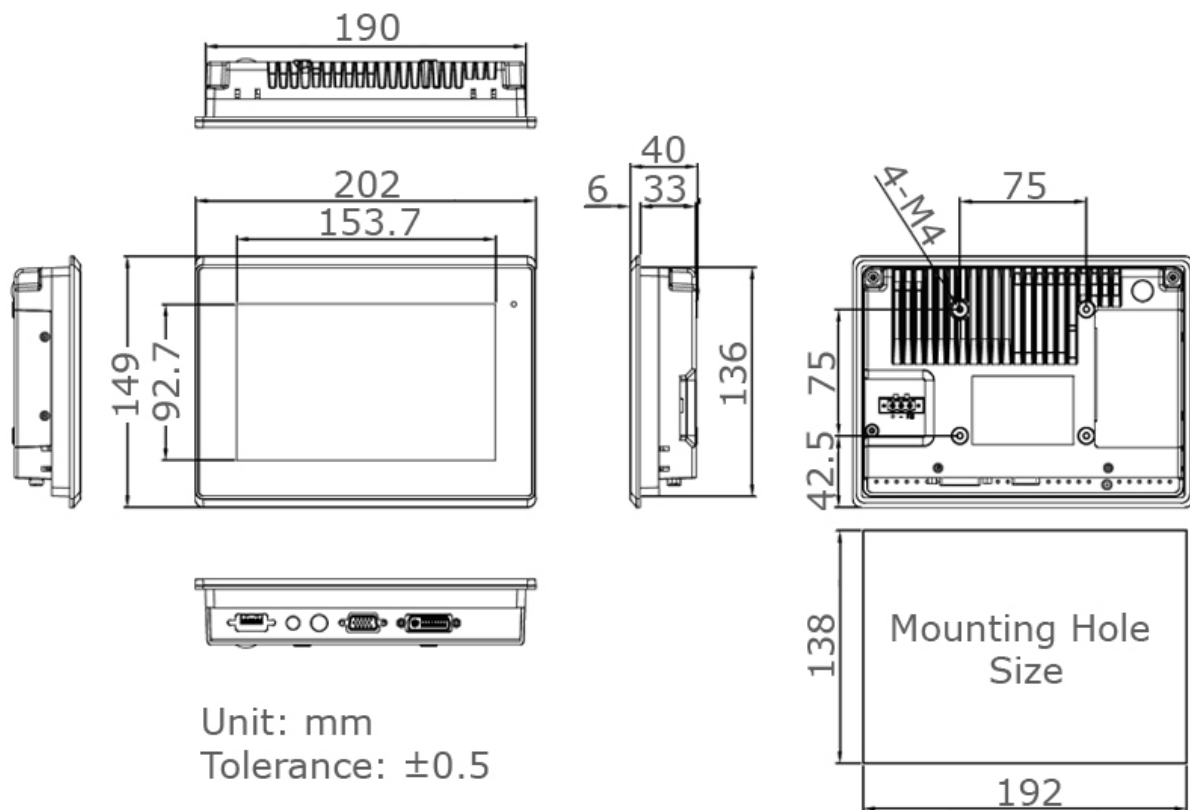
### EUROPE

Teguar Europe AG  
Churerstrasse 54, CH-8808  
Pfäffikon, Switzerland  
+41 41 561 53 11  
sales.EU@teguar.com

### ASIA

Teguar Taiwan Ltd.  
Rm. A, 28F-12., No.99, Sec. 1, Xintai 5th Rd.,  
Xizhi Dist., New Taipei City 221, Taiwan (R.O.C.)  
+886 2 7751 5319  
sales@teguar.com.tw

# Tech Diagram Images



## USA

Teguar  
2920 Whitehall Park Drive  
Charlotte, NC 28273  
+1 866-693-3105  
sales@teguar.com

## EUROPE

Teguar Europe AG  
Churerstrasse 54, CH-8808  
Pfäffikon, Switzerland  
+41 41 561 53 11  
sales.EU@teguar.com

## ASIA

Teguar Taiwan Ltd.  
Rm. A, 28F-12., No.99, Sec. 1, Xintai 5th Rd.,  
Xizhi Dist., New Taipei City 221, Taiwan (R.O.C.)  
+886 2 7751 5319  
sales@teguar.com.tw