

# TP-7045-12W

12" (Wide) Industrial Panel PC



## Key Highlights

- 12th Generation Alder Lake CPU
- Windows 11
- Fanless with wide operating temperature range
- Multitude of screen sizes (compare to TP-5645)
- Two slots of DDR4 RAM

[VIEW ONLINE](#)

Meet Cornerstone, the TP-7045-12W 12" Widescreen Industrial Panel PC, designed to enhance efficiency and withstand demanding environments. This versatile all-in-one offers the option of a projected capacitive or resistive touch screen, so it can cater to diverse user needs. Powered by a robust Alder Lake [Intel](#)® processor and running Windows 11, Cornerstone delivers seamless performance in a fanless unit. The IP66-rated front bezel ensures protection against dust and liquid damage, while the wide operating temperature range guarantees reliability in a variety of conditions. Enjoy dual DDR4 RAM slots for optimal speed. Lay the groundwork for your industrial application with Cornerstone.

### USA

Teguar  
2920 Whitehall Park Drive  
Charlotte, NC 28273  
+1 866-693-3105  
[sales@teguar.com](mailto:sales@teguar.com)

### EUROPE

Teguar Europe AG  
Churerstrasse 54, CH-8808  
Pfäffikon, Switzerland  
+41 41 561 53 11  
[sales.EU@teguar.com](mailto:sales.EU@teguar.com)

### ASIA

Teguar Taiwan Ltd.  
Rm. A, 28F-12., No.99, Sec. 1, Xintai 5th Rd.,  
Xizhi Dist., New Taipei City 221, Taiwan (R.O.C.)  
+886 2 7751 5319  
[sales@teguar.com.tw](mailto:sales@teguar.com.tw)

# Technical Specifications

## Primary Components

|                  |   |
|------------------|---|
| Processor Family | Intel Core I series 12th Generation Alder Lake                              |
| Processor Model  | Core i3-1215U   |
| Processor Speed  | 2x Performance Cores @ 4.4 GHz, 4x Efficient Cores @ 3.3 GHz, Up to 4.4 GHz |
| Memory Type      | 2x DDR4 SO-DIMM   |
| Memory Support   | 4GB, 16GB, 32GB, 64GB   |
| Storage Type     | 1x M.2 2280 NVME SSD slot   |
| Storage Support  | M.2: 256GB-1TB  |

## Power

|                     |          |
|---------------------|----------|
| Input Voltage Range | 9-36V DC |
|---------------------|----------|

## Operating Systems

|         |  |
|---------|--|
| Windows | Windows 10 IoT, Windows 10 Pro, Windows 11 IoT, Windows 11 Pro |
|---------|--|

## Compatibility

|                   |         |
|-------------------|---------|
| Security Hardware | TPM 2.0 |
|-------------------|---------|

## Thermal & Environmental

|                       |                                 |
|-----------------------|---------------------------------|
| Operating Temperature | -20°C - 60°C (-4°F - 140°F)     |
| Storage Temperature   | -30°C - 70°C (-22°F - 158°F)    |
| Cooling Solution      | Passive - Fanless with Heatsink |
| Humidity Range        | 10% - 95% Non-condensing        |

## Peripherals & Wireless Connectivity

|           |                                       |
|-----------|---------------------------------------|
| WiFi      | Optional 802.11 a/b/g/n/ac/ax Wi-Fi 6 |
| Bluetooth | Optional Bluetooth 5.3                |

## Warranty

|          |               |
|----------|---------------|
| Warranty | Up to 5 Years |
|----------|---------------|

Specifications subject to change.

## Display

|              |   |
|--------------|---|
| Screen Size  | 12.1"                                       |
| Screen Ratio | 16:9  |
| Brightness   | 600 nits, Optional 1000 nit High Brightness |

## Touch Screen

|              |   |
|--------------|---|
| Touch Screen | Projected Capacitive (Multi-touch), Resistive |
|--------------|---|

## External I/O Ports

|                        |   |
|------------------------|---|
| USB                    | 2x USB 2.0, 2x USB 3.0  |
| Serial / Com           | 3x COM  |
| Serial Protocol Detail | COM1 & COM2 RS-232/422/485 (BIOS select, RS-232 default), COM3 RS-232 |
| Ethernet / LAN         | 2x RJ45 GbE LAN   |
| Power Input Port       | 3-Pin DC-In (Phoenix Type)  |

## Expansion Slots

|              |   |
|--------------|---|
| Internal M.2 | 1x M.2 2230 Key E (for WiFi expansion option) |
|--------------|---|

## Enclosure

|                     |  |
|---------------------|--|
| Material            | Aluminum front bezel, Aluminum Heatsink and SECC Steel Chassis |
| IP Rating           | IP66 Front Bezel   |
| Color               | Silver   |
| Led Indicator Light | Power  |
| Mounting Options    | Panel Mount, VESA 100 Mount                                    |

## Weight / Dimensions

|            |   |
|------------|---|
| Dimensions | 328 x 77 x 227 mm (12.9 x 3.0 x 8.9 in) |
|------------|---|

### USA

Teguar  
2920 Whitehall Park Drive  
Charlotte, NC 28273  
+1 866-693-3105  
sales@teguar.com

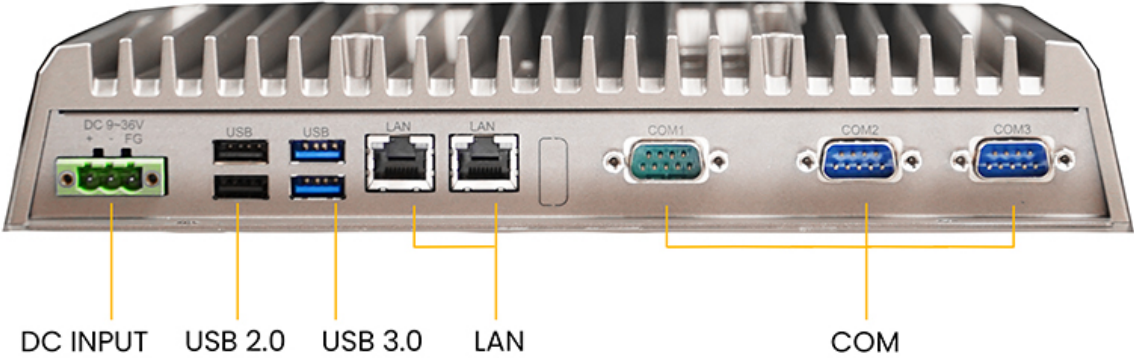
### EUROPE

Teguar Europe AG  
Churerstrasse 54, CH-8808  
Pfäffikon, Switzerland  
+41 41 561 53 11  
sales.EU@teguar.com

### ASIA

Teguar Taiwan Ltd.  
Rm. A, 28F-12., No.99, Sec. 1, Xintai 5th Rd.,  
Xizhi Dist., New Taipei City 221, Taiwan (R.O.C.)  
+886 2 7751 5319  
sales@teguar.com.tw

# I/O Diagram Images



## USA

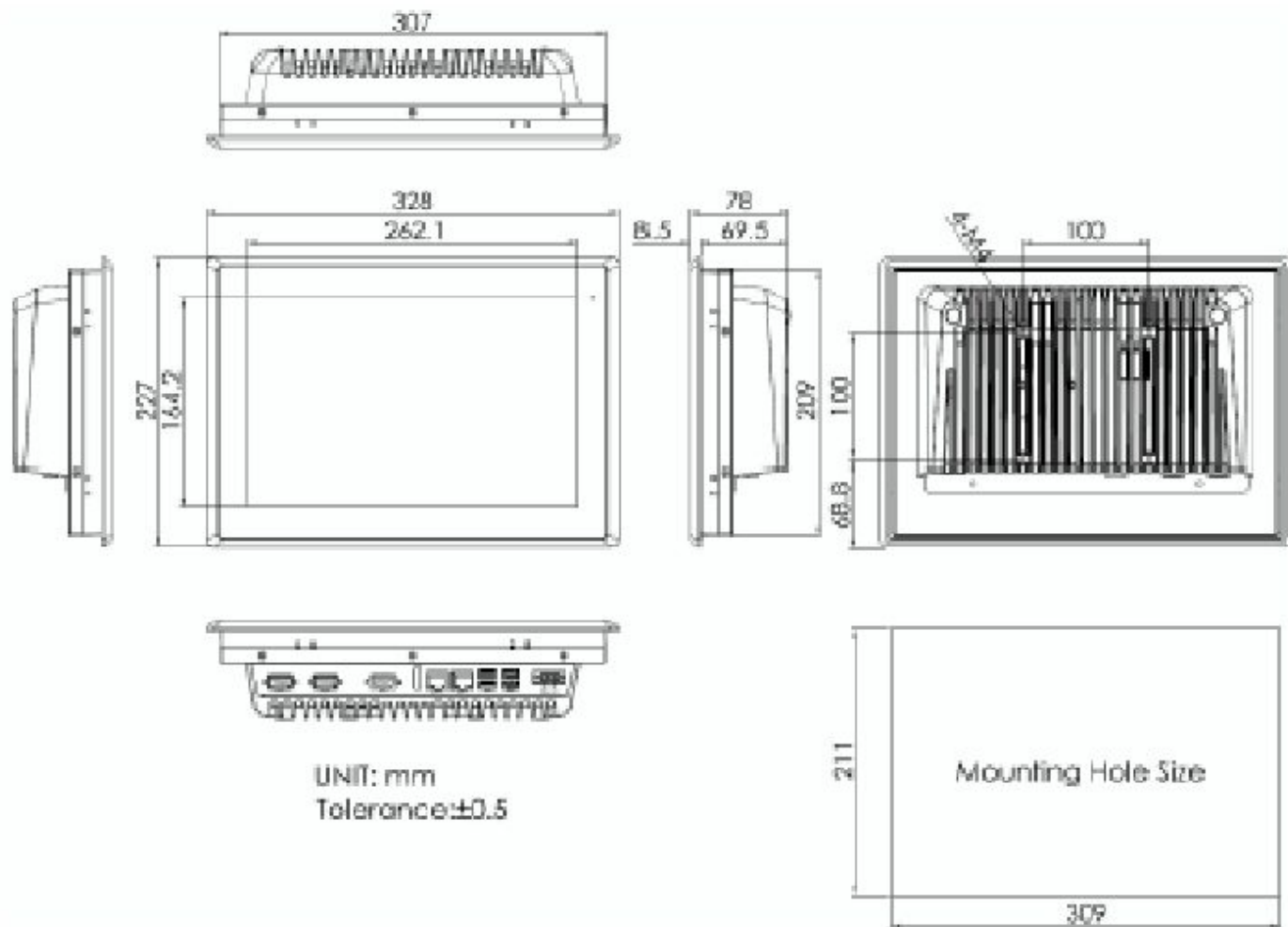
Teguar  
2920 Whitehall Park Drive  
Charlotte, NC 28273  
+1 866-693-3105  
sales@teguar.com

## EUROPE

Teguar Europe AG  
Churerstrasse 54, CH-8808  
Pfäffikon, Switzerland  
+41 41 561 53 11  
sales.EU@teguar.com

## ASIA

Teguar Taiwan Ltd.  
Rm. A, 28F-12., No.99, Sec. 1, Xintai 5th Rd.,  
Xizhi Dist., New Taipei City 221, Taiwan (R.O.C.)  
+886 2 7751 5319  
sales@teguar.com.tw



**USA**

Teguar  
 2920 Whitehall Park Drive  
 Charlotte, NC 28273  
 +1 866-693-3105  
 sales@teguar.com

**EUROPE**

Teguar Europe AG  
 Churerstrasse 54, CH-8808  
 Pfäffikon, Switzerland  
 +41 41 561 53 11  
 sales.EU@teguar.com

**ASIA**

Teguar Taiwan Ltd.  
 Rm. A, 28F-12., No.99, Sec. 1, Xintai 5th Rd.,  
 Xizhi Dist., New Taipei City 221, Taiwan (R.O.C.)  
 +886 2 7751 5319  
 sales@teguar.com.tw