

TP-7045-18

18" Industrial Panel PC



Key Highlights

- 12th Generation Alder Lake CPU
- Windows 11
- Fanless with wide operating temperature range
- Multitude of screen sizes (compare to TP-5645)
- Two slots of DDR4 RAM

[VIEW ONLINE](#)

Meet Cornerstone, the TP-7045-18 18" Industrial Panel PC, designed to enhance efficiency and withstand demanding environments. This versatile all-in-one offers the option of a projected capacitive or resistive touch screen, so it can cater to diverse user needs. Powered by a robust Alder Lake [Intel](#)® processor and running Windows 11, Cornerstone delivers seamless performance in a fanless unit. The IP66-rated front bezel ensures protection against dust and liquid damage, while the wide operating temperature range guarantees reliability in a variety of conditions. Enjoy dual DDR4 RAM slots for optimal speed. Lay the groundwork for your industrial application with Cornerstone.

USA

Teguar
2920 Whitehall Park Drive
Charlotte, NC 28273
+1 866-693-3105
sales@teguar.com

EUROPE

Teguar Europe AG
Churerstrasse 54, CH-8808
Pfäffikon, Switzerland
+41 41 561 53 11
sales.EU@teguar.com

ASIA

Teguar Taiwan Ltd.
Rm. A, 28F-12., No.99, Sec. 1, Xintai 5th Rd.,
Xizhi Dist., New Taipei City 221, Taiwan (R.O.C.)
+886 2 7751 5319
sales@teguar.com.tw

Technical Specifications

Primary Components

Processor Family	Intel Core I series 12th Generation Alder Lake
Processor Model	Core i3-1215U
Processor Speed	2x Performance Cores @ 4.4 GHz, 4x Efficient Cores @ 3.3 GHz, Up to 4.4 GHz
Memory Type	2x DDR4 SO-DIMM
Memory Support	4GB, 8GB, 16GB, 32GB, 64GB
Storage Type	1x M.2 2280 NVME SSD slot
Storage Support	M.2: 256GB-1TB

Power

Input Voltage Range	9-36V DC
---------------------	----------

Operating Systems

Windows	Windows 10 IoT, Windows 10 Pro, Windows 11 IoT, Windows 11 Pro
---------	--

Compatibility

Security Hardware	TPM 2.0
-------------------	---------

Thermal & Environmental

Operating Temperature	-20°C - 60°C (-4°F - 140°F)
Storage Temperature	-30°C - 70°C (-22°F - 158°F)
Cooling Solution	Passive - Fanless with Heatsink
Humidity Range	10% - 95% Non-condensing

Peripherals & Wireless Connectivity

WiFi	Optional 802.11 a/b/g/n/ac/ax Wi-Fi 6
Bluetooth	Optional Bluetooth 5.3

Warranty

Warranty	Up to 5 Years
----------	---------------

Specifications subject to change.

Display

Screen Size	18.5"
Screen Ratio	16:9
Brightness	300 nits, Optional 1000 nit High Brightness

Touch Screen

Touch Screen	Projected Capacitive (Multi-touch), Resistive
--------------	---

External I/O Ports

USB	2x USB 2.0, 2x USB 3.0
Serial / Com	3x COM
Serial Protocol Detail	COM1 & COM2 RS-232/422/485 (BIOS select, RS-232 default), COM3 RS-232
Ethernet / LAN	2x RJ45 GbE LAN
Power Input Port	3-Pin DC-In (Phoenix Type)

Expansion Slots

Internal M.2	1x M.2 2230 Key E (for WiFi expansion option)
--------------	---

Enclosure

Material	Aluminum front bezel, Aluminum Heatsink and SECC Steel Chassis
IP Rating	IP66 Front Bezel
Color	Gray
Led Indicator Light	Power
Mounting Options	Panel Mount, VESA 100 Mount

Weight / Dimensions

Dimensions	499 x 78 x 314 mm (19.6 x 3.1 x 12.4 in)
------------	--

USA

Teguar
2920 Whitehall Park Drive
Charlotte, NC 28273
+1 866-693-3105
sales@teguar.com

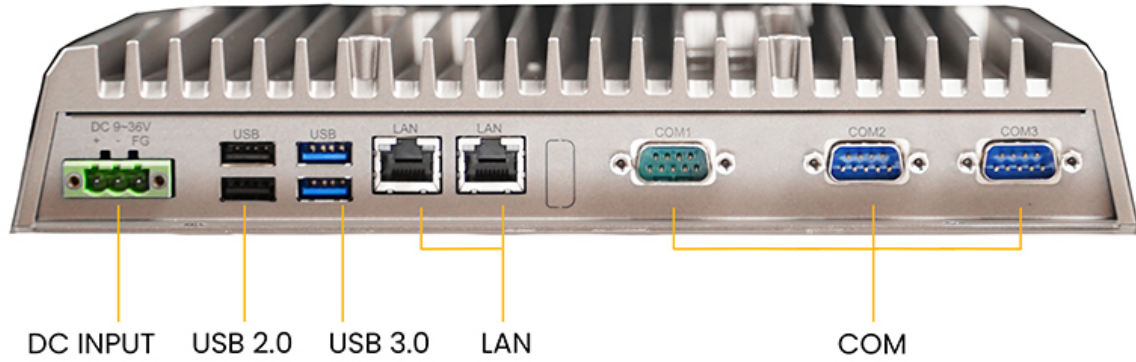
EUROPE

Teguar Europe AG
Churerstrasse 54, CH-8808
Pfäffikon, Switzerland
+41 41 561 53 11
sales.EU@teguar.com

ASIA

Teguar Taiwan Ltd.
Rm. A, 28F-12., No.99, Sec. 1, Xintai 5th Rd.,
Xizhi Dist., New Taipei City 221, Taiwan (R.O.C.)
+886 2 7751 5319
sales@teguar.com.tw

I/O Diagram Images



USA

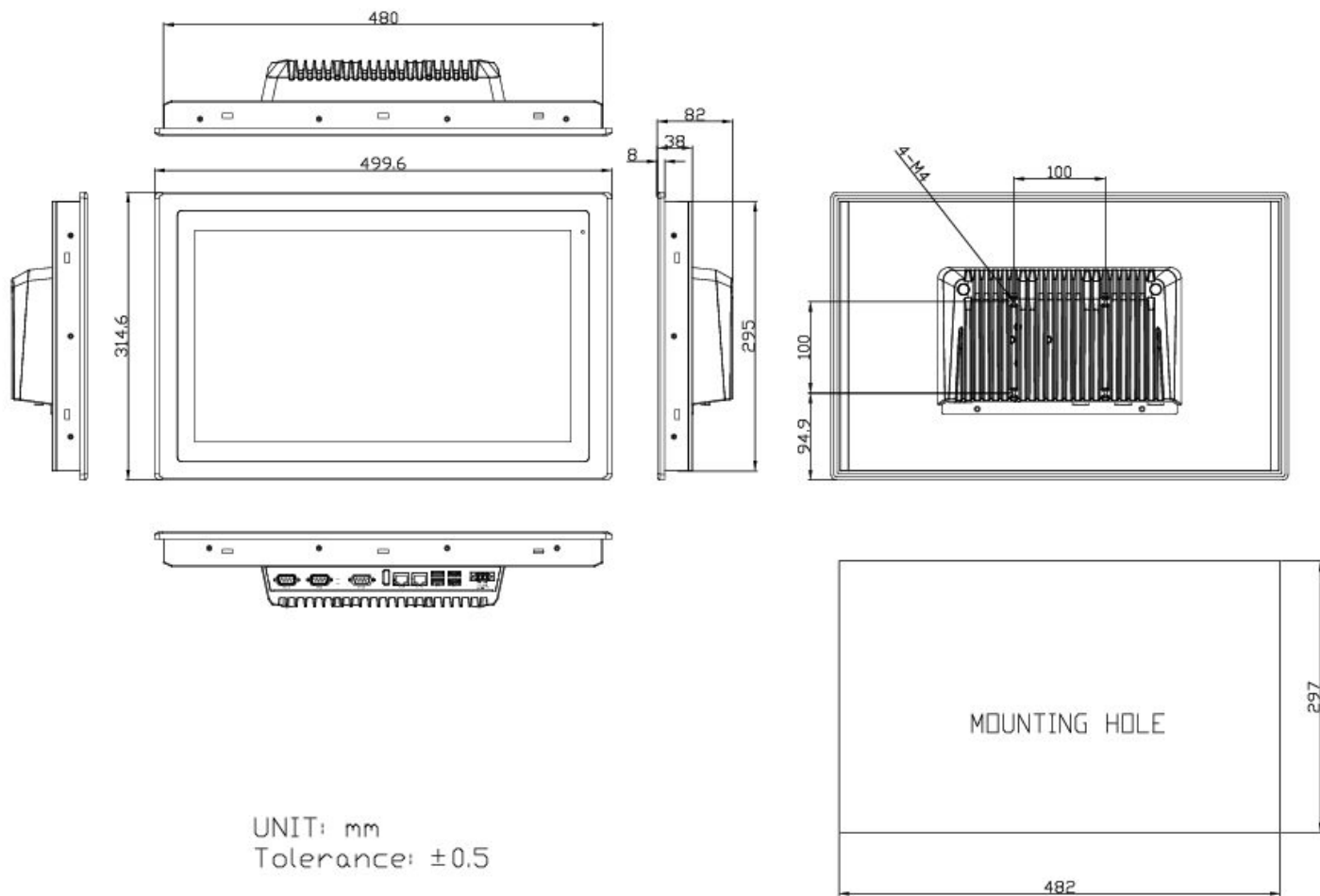
Teguar
2920 Whitehall Park Drive
Charlotte, NC 28273
+1 866-693-3105
sales@teguar.com

EUROPE

Teguar Europe AG
Churerstrasse 54, CH-8808
Pfäffikon, Switzerland
+41 41 561 53 11
sales.EU@teguar.com

ASIA

Teguar Taiwan Ltd.
Rm. A, 28F-12., No.99, Sec. 1, Xintai 5th Rd.,
Xizhi Dist., New Taipei City 221, Taiwan (R.O.C.)
+886 2 7751 5319
sales@teguar.com.tw



USA

Teguar
2920 Whitehall Park Drive
Charlotte, NC 28273
+1 866-693-3105
sales@teguar.com

EUROPE

Teguar Europe AG
Churerstrasse 54, CH-8808
Pfäffikon, Switzerland
+41 41 561 53 11
sales.EU@teguar.com

ASIA

Teguar Taiwan Ltd.
Rm. A, 28F-12., No.99, Sec. 1, Xintai 5th Rd.,
Xizhi Dist., New Taipei City 221, Taiwan (R.O.C.)
+886 2 7751 5319
sales@teguar.com.tw