

TM-5557-22

22" Medical Panel Computer



Key Highlights

- 21.5" Fanless Medical AIO
- Intel 7th Gen Kabylake Core i5/i7 Celeron CPU
- Full HD Display with P-CAP Touchscreen
- Latest 4th Edition 60601 Medical Certifications
- Light Weight, Ultra-thin, Stylish Bezel
- Convenient & easily-accessible USB port on side
- IP65 Front Bezel with Anti-microbial Housing

[VIEW ONLINE](#)

The TM-5557-22 features a powerful 7th generation Intel Core i5/i7 & Celeron processor. This [medical computer](#) is ultra-thin (44 mm) and weighs only 11lbs, making it the lightest weight medical computer in its class. The light weight design makes it desirable for medical carts and bedside terminals that have been overweight and difficult to maneuver for too long. The fanless cooling system allows for quiet operation and prevents the spread of dust and germs. The medical grade plastic has an anti-bacterial coating and the front is IP65 rated, so this PC can withstand spills, sprays and repeated wipe downs with cleaning chemicals. The TM-5557-22 comes standard fully packed with a front camera, WiFi/BT 4.2 and even isolated I/Os, allowing for easy integration with other medical devices. This medical panel computer has an optional battery pack that provides about two hours of power, so nurses can switch rooms without having to power down the computer, or use a heavy and expensive battery powered cart. [Read the Product Review from RuggedPCReview >](#)

USA

Teguar
2920 Whitehall Park Drive
Charlotte, NC 28273
+1 866-693-3105
sales@teguar.com

EUROPE

Teguar Europe AG
Churerstrasse 54, CH-8808
Pfäffikon, Switzerland
+41 41 561 53 11
sales.EU@teguar.com

ASIA

Teguar Taiwan Ltd.
Rm. A, 28F-12., No.99, Sec. 1, Xintai 5th Rd.,
Xizhi Dist., New Taipei City 221, Taiwan (R.O.C.)
+886 2 7751 5319
sales@teguar.com.tw

Technical Specifications

Primary Components

Processor Family	Intel Core I series 7th Generation Kaby Lake
Processor Speed	Up to 2.8 GHz
Memory Type	2x DDR4 SO-DIMM
Memory Support	4GB, 8GB, 16GB, 32GB
Storage Type	1x 2.5" SATA Drive Bay for SSD/HDD, M.2
Storage Support	32GB-1TB

Power

Input Voltage Range	19V DC
Standard Power Adapter	4.74 Amp AC/DC Adapter

Battery

Battery Type	Optional Internal Battery
Battery Operating Time	2hrs

Operating Systems

Windows	Windows 10 IoT, Windows 10 Pro
---------	--------------------------------

Expansion Slots

Internal M.2	1x M.2
Expansion Module support	VOIP Handset
Other	Dual RFID & Dual SmartCard

Thermal & Environmental

Operating Temperature	0°C - 40°C (32°F - 104°F)
Storage Temperature	-20°C - 60°C (-4°F - 140°F)
Cooling Solution	Passive - Fanless

Peripherals & Wireless Connectivity

WiFi	Wifi 802.11 a/b/g/n/ac
Bluetooth	Bluetooth 4.2
RFID	Optional Dual RFID (LF/HF)
Peripheral Other	Reading Lights, Camera Privacy Latch

Certification

Certifications	60601-1 4th Edition, FCC Class B, IEC 60950-1
----------------	---

Specifications subject to change.

Display

Screen Size	21.5
Screen Ratio	16:09
Brightness	250 nits

Touch Screen

Touch Screen	Projected Capacitive (Multi-touch)
--------------	------------------------------------

External I/O Ports

USB	2x USB 2.0, 4x USB 3.0
Serial / Com	4x COM
Serial Protocol Detail	4x RS-232 DB-9
Ethernet / LAN	2x RJ45 GbE LAN
Video Outputs	1x HDMI
Audio Ports	1x 3.5mm Headphone Jack

Compatibility

Security Hardware	TPM 2.0
-------------------	---------

Multimedia

Speakers	2x 2W Speakers
Camera	Optional 2MP Webcam
Microphone	2x Built-in Microphones

Enclosure

Material	Plastic
IP Rating	IP65 Front Bezel
Color	White
Control Buttons	Display on/off, On-Screen Display (OSD), Power Button
Mounting Options	VESA Mount

Weight / Dimensions

Weight	4.98 kg (11.0 lbs)
Dimensions	529.8 x 346.7 x 45 mm (20.9 x 13.6 x 1.8 in)

Warranty

Warranty	Up to 5 Years
----------	---------------

USA

Teguar
2920 Whitehall Park Drive
Charlotte, NC 28273
+1 866-693-3105
sales@teguar.com

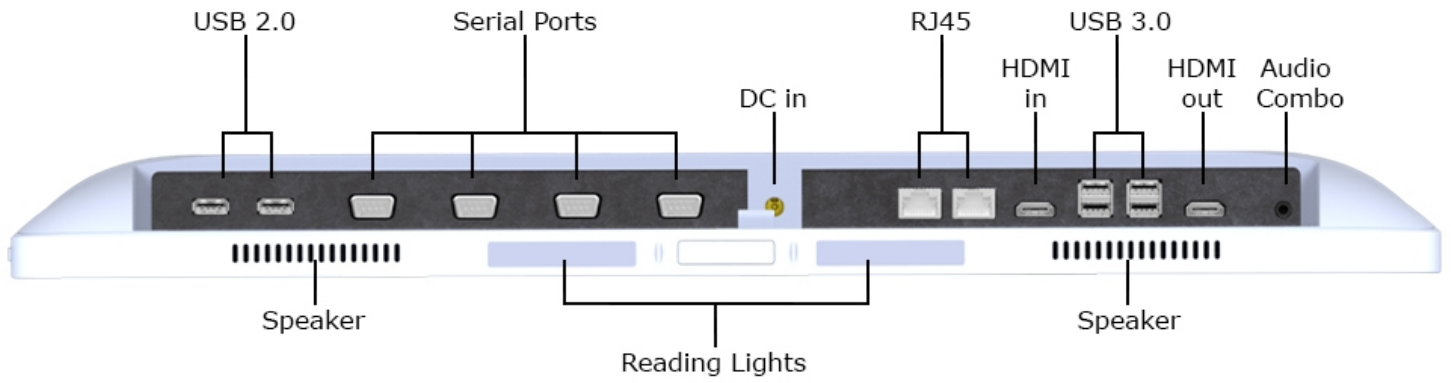
EUROPE

Teguar Europe AG
Churerstrasse 54, CH-8808
Pfäffikon, Switzerland
+41 41 561 53 11
sales.EU@teguar.com

ASIA

Teguar Taiwan Ltd.
Rm. A, 28F-12., No.99, Sec. 1, Xintai 5th Rd.,
Xizhi Dist., New Taipei City 221, Taiwan (R.O.C.)
+886 2 7751 5319
sales@teguar.com.tw

I/O Diagram Images



USA

Teguar
2920 Whitehall Park Drive
Charlotte, NC 28273
+1 866-693-3105
sales@teguar.com

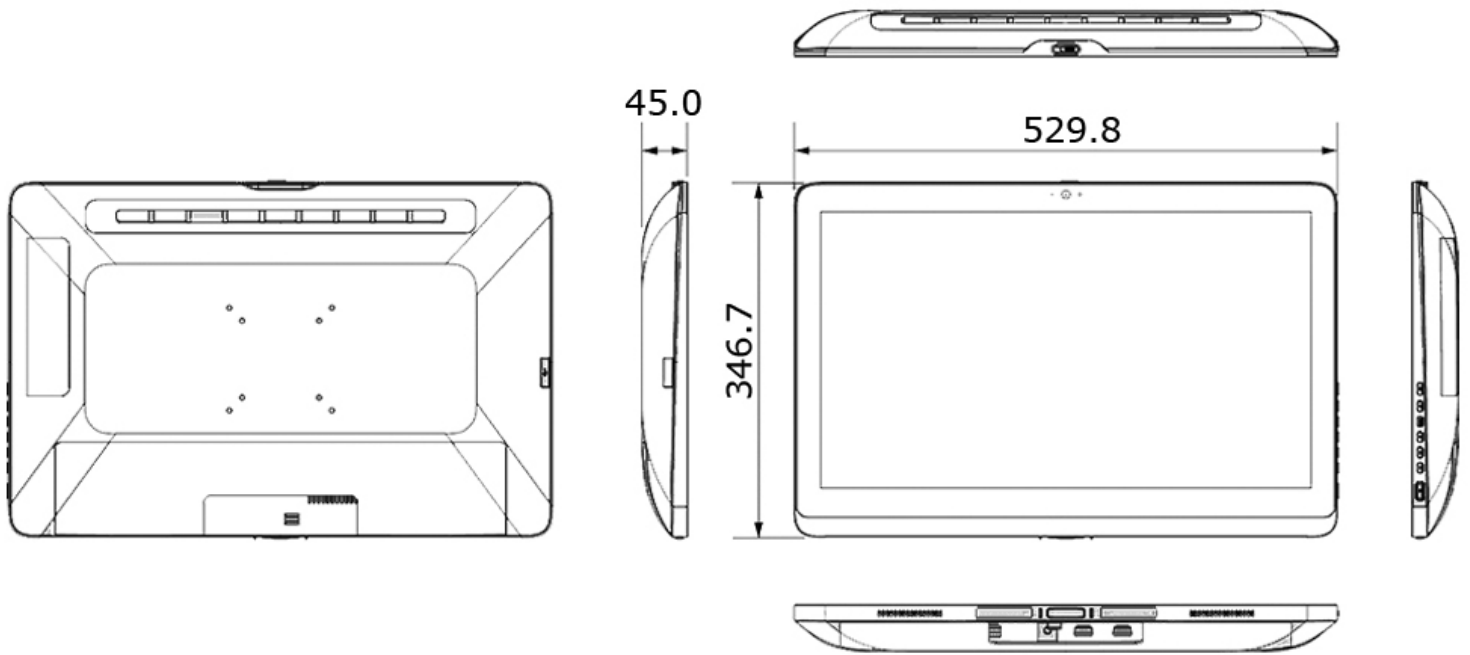
EUROPE

Teguar Europe AG
Churerstrasse 54, CH-8808
Pfäffikon, Switzerland
+41 41 561 53 11
sales.EU@teguar.com

ASIA

Teguar Taiwan Ltd.
Rm. A, 28F-12., No.99, Sec. 1, Xintai 5th Rd.,
Xizhi Dist., New Taipei City 221, Taiwan (R.O.C.)
+886 2 7751 5319
sales@teguar.com.tw

Tech Diagram Images



USA

Teguar
2920 Whitehall Park Drive
Charlotte, NC 28273
+1 866-693-3105
sales@teguar.com

EUROPE

Teguar Europe AG
Churerstrasse 54, CH-8808
Pfäffikon, Switzerland
+41 41 561 53 11
sales.EU@teguar.com

ASIA

Teguar Taiwan Ltd.
Rm. A, 28F-12., No.99, Sec. 1, Xintai 5th Rd.,
Xizhi Dist., New Taipei City 221, Taiwan (R.O.C.)
+886 2 7751 5319
sales@teguar.com.tw