

TA-4840-22

22" Fanless All In One PC



Key Highlights

- 21.5" Full HD Display with PCAP Touchscreen
- Intel Celeron J6412 Quad-Core CPU
- Various Mounting Stands
- Modular Design with Removable Box PC
- Customizable and Expandable

[VIEW ONLINE](#)

The TA-4840-22 is a modular and customizable computer with a 21.5" full HD [touchscreen that is suitable for kiosk](#) and light-industrial applications. It has a removable box PC and can support optional peripherals on all four sides, including a 3-track MSR Fingerprint Reader, RFID Reader, Verifone VX820, 2D Barcode Scanner, and 5MP Camera. It runs on an Intel Celeron J6412 Quad-Core CPU and is compatible with Windows 11 Operating System. The desktop stand even has a printer bay to securely hold an EPSON thermal printer.

USA

Teguar
2920 Whitehall Park Drive
Charlotte, NC 28273
+1 866-693-3105
sales@teguar.com

EUROPE

Teguar Europe AG
Churerstrasse 54, CH-8808
Pfäffikon, Switzerland
+41 41 561 53 11
sales.EU@teguar.com

ASIA

Teguar Taiwan Ltd.
Rm. A, 28F-12., No.99, Sec. 1, Xintai 5th Rd.,
Xizhi Dist., New Taipei City 221, Taiwan (R.O.C.)
+886 2 7751 5319
sales@teguar.com.tw

Technical Specifications

Primary Components

| | |
|------------------|----------------------------|
| Processor Family | Intel Celeron Elkhart Lake |
| Processor Model | Celeron J6412 |
| Memory Type | 1x DDR4 SO-DIMM |
| Memory Support | 4GB, 8GB, 16GB |
| Storage Type | 1x M.2 slot for SSD |
| Storage Support | M.2: 128GB-1TB |

Power

| | |
|------------------------|-------------------|
| Input Voltage Range | 19V DC |
| Standard Power Adapter | 65W AC/DC Adapter |

Operating Systems

| | |
|---------|--|
| Windows | Windows 10 IoT, Windows 10 Pro, Windows 11 IoT, Windows 11 Pro |
| Linux | Linux (Contact your sales rep for more information) |

Compatibility

| | |
|-------------------|----------|
| Security Hardware | fTPM 2.0 |
|-------------------|----------|

Multimedia

| | |
|----------|-----------------|
| Speakers | 1x 3W Speaker |
| Camera | Optional Webcam |

Enclosure

| | |
|------------------|-------------------------------|
| Material | Plastic |
| IP Rating | IP54 Front Bezel |
| Color | Black |
| Mounting Options | VESA 100 Mount, VESA 75 Mount |

Weight / Dimensions

| | |
|------------|--|
| Weight | 5.4 kg (11.9 lbs) |
| Dimensions | 519 x 311 x 49 mm (20.4 x 12.2 x 1.9 in) |

Certification

| | |
|----------------|---------|
| Certifications | CE, FCC |
|----------------|---------|

Specifications subject to change.

Display

| | |
|--------------|----------|
| Screen Size | 21.5 |
| Screen Ratio | 16:9 |
| Brightness | 300 nits |

Touch Screen

| | |
|--------------|------------------------------------|
| Touch Screen | Projected Capacitive (Multi-touch) |
|--------------|------------------------------------|

External I/O Ports

| | |
|------------------------|---|
| USB | 2x USB 2.0, 2x USB 3.0, 2x USB Type C (Data only) |
| Serial / Com | 2x COM |
| Serial Protocol Detail | x2 RS-232 DB-9 |
| Ethernet / LAN | 1x RJ45 GbE LAN |
| Other Ports | Custom connector for External Monitor |
| Power Input Port | 4-Pole DIN (latching) |

Expansion Slots

| | |
|--------------------------|---|
| Internal M.2 | 1x M.2 2230 Key E (for WiFi expansion option) |
| Expansion Module support | 4 USB based expansion areas on Bezel support |

Thermal & Environmental

| | |
|-----------------------|-----------------------------|
| Operating Temperature | 0°C - 35°C (32°F - 95°F) |
| Storage Temperature | -20°C - 60°C (-4°F - 140°F) |
| Cooling Solution | Passive - Fanless |
| Humidity Range | 20% - 85% Non-condensing |

Peripherals & Wireless Connectivity

| | |
|------------------|---|
| WiFi | Optional through M.2 interface |
| Bluetooth | Optional Bluetooth 5.1 |
| Barcode Scanner | Optional 1D/2D Barcode Scanner |
| RFID | Optional 13.56 NFC External Module |
| Peripheral Other | Contact Teguar is you have a customized external Module request |

Warranty

| | |
|----------|---------------|
| Warranty | Up to 5 Years |
|----------|---------------|

USA

Teguar
2920 Whitehall Park Drive
Charlotte, NC 28273
+1 866-693-3105
sales@teguar.com

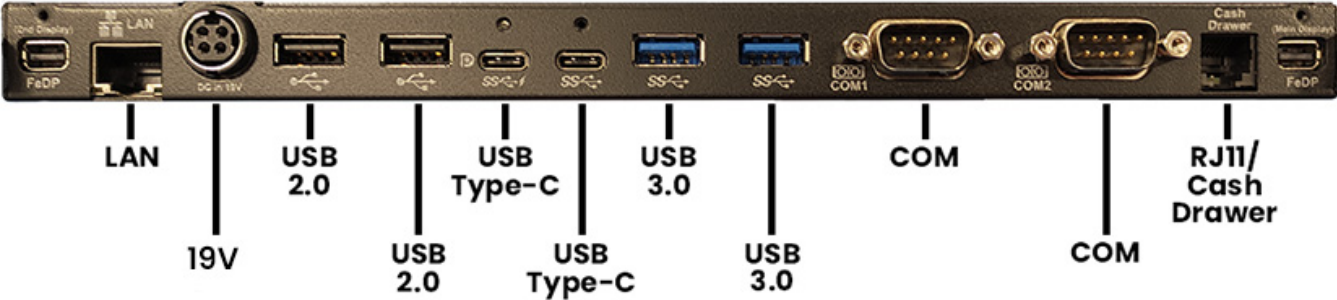
EUROPE

Teguar Europe AG
Churerstrasse 54, CH-8808
Pfäffikon, Switzerland
+41 41 561 53 11
sales.EU@teguar.com

ASIA

Teguar Taiwan Ltd.
Rm. A, 28F-12., No.99, Sec. 1, Xintai 5th Rd.,
Xizhi Dist., New Taipei City 221, Taiwan (R.O.C.)
+886 2 7751 5319
sales@teguar.com.tw

I/O Diagram Images



USA

Teguar
2920 Whitehall Park Drive
Charlotte, NC 28273
+1 866-693-3105
sales@teguar.com

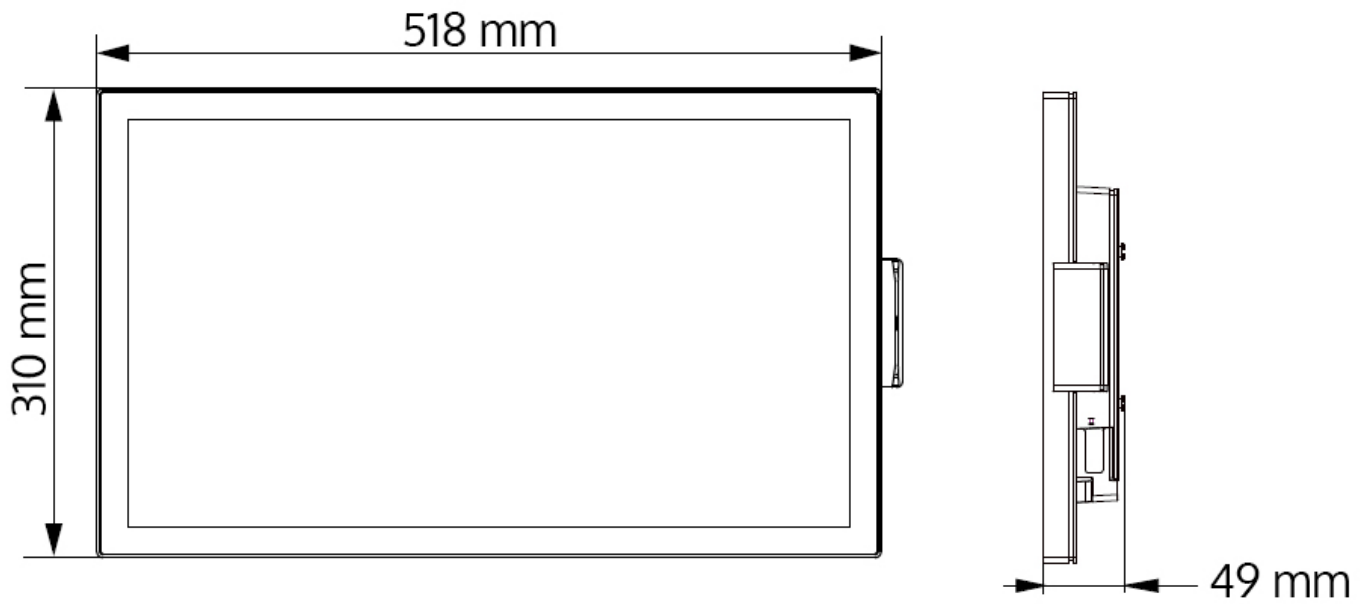
EUROPE

Teguar Europe AG
Churerstrasse 54, CH-8808
Pfäffikon, Switzerland
+41 41 561 53 11
sales.EU@teguar.com

ASIA

Teguar Taiwan Ltd.
Rm. A, 28F-12., No.99, Sec. 1, Xintai 5th Rd.,
Xizhi Dist., New Taipei City 221, Taiwan (R.O.C.)
+886 2 7751 5319
sales@teguar.com.tw

Tech Diagram Images



USA

Teguar
2920 Whitehall Park Drive
Charlotte, NC 28273
+1 866-693-3105
sales@teguar.com

EUROPE

Teguar Europe AG
Churerstrasse 54, CH-8808
Pfäffikon, Switzerland
+41 41 561 53 11
sales.EU@teguar.com

ASIA

Teguar Taiwan Ltd.
Rm. A, 28F-12., No.99, Sec. 1, Xintai 5th Rd.,
Xizhi Dist., New Taipei City 221, Taiwan (R.O.C.)
+886 2 7751 5319
sales@teguar.com.tw