

# TM-7165-24

24" Medical All in One



## Key Highlights

- 23.8" High Resolution Touchscreen with 4K Display Resolution Option
- Intel Core i5/i7 Processor Passmark Rating 24630
- Windows 11 Capabilities
- Optional NVIDIA Graphics Card
- Antimicrobial Enclosure with IP65 rated front bezel and IPX2 rated rear

[VIEW ONLINE](#)

The TM-7165-24, as part of the Medical All in One Series, stands as an essential choice for modern healthcare operations. The Intel Core i5/i7 processor delivers fast performance that is pivotal for managing intricate medical tasks. Tailored specifically for healthcare, it features an IP65 rated front bezel and an IPX2 rated back in an antimicrobial enclosure, ensuring both patient safety and infection control. The incorporation of a POAG grounding pin enhances workplace safety further by providing protection against electrical accidents. For exceptional image clarity and diagnostic support, there's the optional NVIDIA graphics card, which also helps with its adaptability for AI applications.

### USA

Teguar  
2920 Whitehall Park Drive  
Charlotte, NC 28273  
+1 866-693-3105  
sales@teguar.com

### EUROPE

Teguar Europe AG  
Churerstrasse 54, CH-8808  
Pfäffikon, Switzerland  
+41 41 561 53 11  
sales.EU@teguar.com

### ASIA

Teguar Taiwan Ltd.  
Rm. A, 28F-12., No.99, Sec. 1, Xintai 5th Rd.,  
Xizhi Dist., New Taipei City 221, Taiwan (R.O.C.)  
+886 2 7751 5319  
sales@teguar.com.tw

# Technical Specifications

## Primary Components

Processor Family	Intel Core I series 13th Generation Raptor Lake
Processor Model	Core i5-13500T Optional, Core i7-13700T Optional
Processor Speed	Up to 4.6 GHz i5, Up to 4.9 GHz i7
Memory Type	2x DDR4 SO-DIMM
Memory Support	Up to 64GB (i5/i7)
Storage Type	1x M.2 2280 NVME SSD slot
Storage Support	M.2: 256GB-1TB

## Power

Input Voltage Range	19V DC
Max Power Consumption	209W A2000+FHD, 285W A4000+4K
Standard Power Adapter	19Vdc 280W, 2x required for A4000 GPU

## Operating Systems

Windows	Windows 10 IoT, Windows 10 Pro, Windows 11 IoT, Windows 11 Pro
---------	--

## Compatibility

Security Hardware	TPM 2.0
-------------------	---------

## Thermal & Environmental

Operating Temperature	0°C - 40°C (32°F - 104°F)
Storage Temperature	-20°C - 60°C (-4°F - 140°F)
Cooling Solution	Active - with Fan
Humidity Range	0% - 90% Non-condensing

## Peripherals & Wireless Connectivity

WiFi	802.11 AX. 2.4/5Ghz Dual Band
------	-------------------------------

## Weight / Dimensions

Weight	8 kg (17.6 lbs)
Dimensions	370.5 x 45.2 x 567 mm (14.6 x 1.8 x 22.3 in)

Specifications subject to change.

## Display

Screen Size	23.8"
Resolution	1920 x 1080 (Full HD), Optional 4K
Screen Ratio	16:9

## Touch Screen

Touch Screen	Projected Capacitive (Multi-touch)
--------------	------------------------------------

## External I/O Ports

USB	2x USB 2.0, 2x USB 3.1 Type C, 4x USB 3.0
Serial / Com	3x COM
Ethernet / LAN	1x RJ45 10/100 LAN, 1x RJ45 GbE LAN
Video Outputs	2x DisplayPort
Other Ports	Grounding Pin (POAG)
Audio Ports	1x 3.5mm Audio Line-Out, 1x 3.5mm Microphone Jack
Power Input Port	4-Pin DC-In Jack

## Multimedia

Speakers	1x Speaker
Camera	Optional 5MP Webcam
Microphone	Built-in Microphone

## Enclosure

Material	Aluminum, Anti-Microbial
IP Rating	IP65 Front Bezel, IPX2 enclosure
Color	White
Control Buttons	Down, Exit, Menu, Power Button, Up
Mounting Options	VESA 100 Mount

## Warranty

Warranty	Up to 5 Years
----------	---------------

### USA

Teguar  
2920 Whitehall Park Drive  
Charlotte, NC 28273  
+1 866-693-3105  
sales@teguar.com

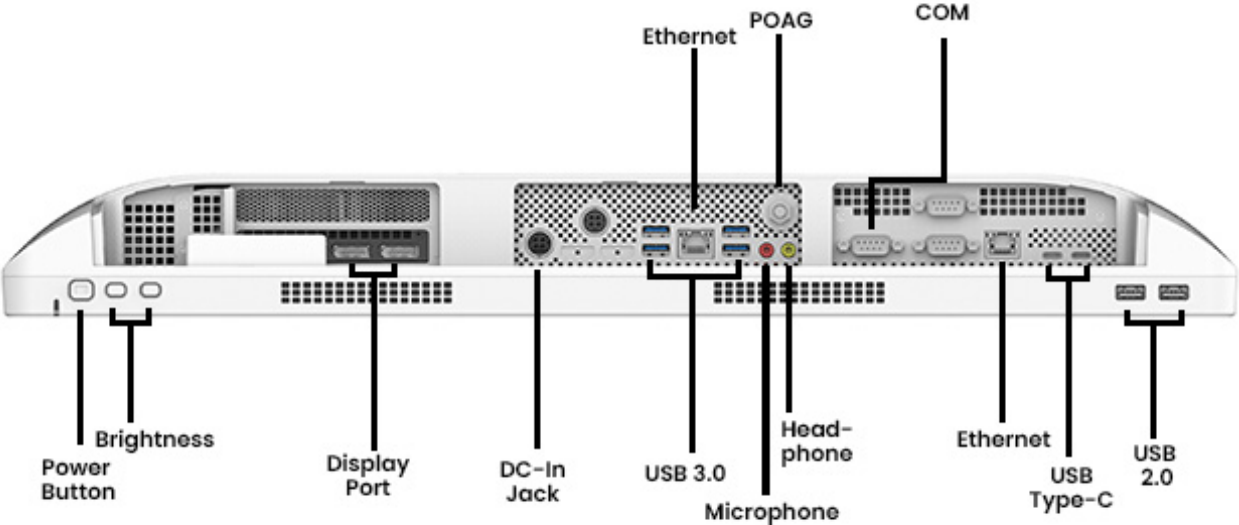
### EUROPE

Teguar Europe AG  
Churerstrasse 54, CH-8808  
Pfäffikon, Switzerland  
+41 41 561 53 11  
sales.EU@teguar.com

### ASIA

Teguar Taiwan Ltd.  
Rm. A, 28F-12., No.99, Sec. 1, Xintai 5th Rd.,  
Xizhi Dist., New Taipei City 221, Taiwan (R.O.C.)  
+886 2 7751 5319  
sales@teguar.com.tw

# I/O Diagram Images



### USA

Teguar  
2920 Whitehall Park Drive  
Charlotte, NC 28273  
+1 866-693-3105  
sales@teguar.com

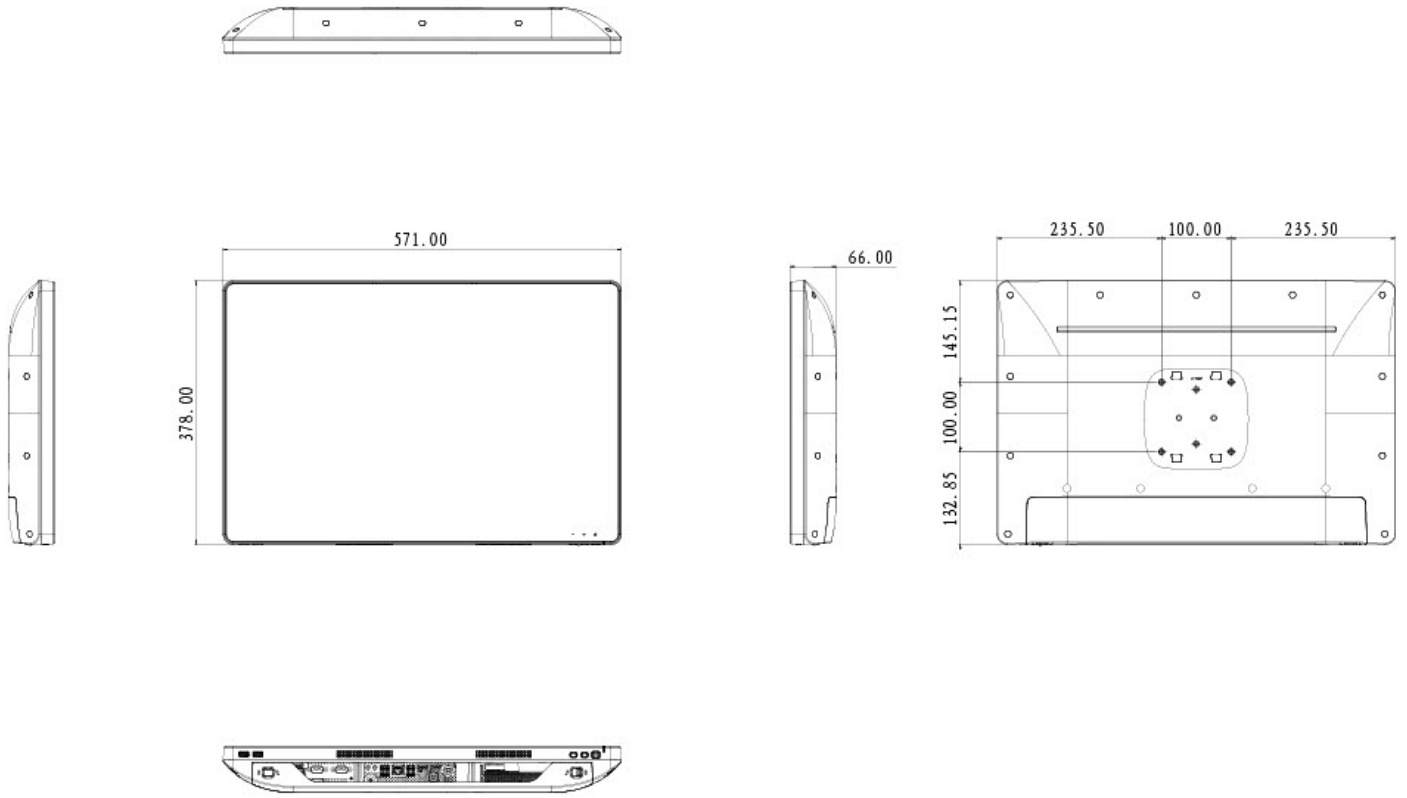
### EUROPE

Teguar Europe AG  
Churerstrasse 54, CH-8808  
Pfäffikon, Switzerland  
+41 41 561 53 11  
sales.EU@teguar.com

### ASIA

Teguar Taiwan Ltd.  
Rm. A, 28F-12., No.99, Sec. 1, Xintai 5th Rd.,  
Xizhi Dist., New Taipei City 221, Taiwan (R.O.C.)  
+886 2 7751 5319  
sales@teguar.com.tw

# Tech Diagram Images



## USA

Teguar  
2920 Whitehall Park Drive  
Charlotte, NC 28273  
+1 866-693-3105  
sales@teguar.com

## EUROPE

Teguar Europe AG  
Churerstrasse 54, CH-8808  
Pfäffikon, Switzerland  
+41 41 561 53 11  
sales.EU@teguar.com

## ASIA

Teguar Taiwan Ltd.  
Rm. A, 28F-12., No.99, Sec. 1, Xintai 5th Rd.,  
Xizhi Dist., New Taipei City 221, Taiwan (R.O.C.)  
+886 2 7751 5319  
sales@teguar.com.tw