

TSC-4810-22

22" Cable Gland Computer



Key Highlights

- 22" Resistive or PCap Touchscreen Options
- Intel Celeron J6412 Processor Passmark Rating 3839
- Windows 11 Capabilities
- Integrated Cable Gland supporting up to 5 I/O cables
- IP69K Waterproof Rated

[VIEW ONLINE](#)

The 22" Cable Gland Computer stands out as an indispensable tool in food and meat processing. Powered by a robust Windows 11 platform and the dependable Celeron J6412 CPU, it ensures reliable and efficient performance. Its IP69K waterproof rating shields it from the most demanding cleaning processes. The integrated cable gland, capable of managing up to five I/O cables, guarantees efficient cable organization. With the added advantage of WiFi 6, it offers seamless and high-speed wireless connectivity, further enhancing productivity in these challenging industrial environments. This computer combines durability, hygiene, and advanced technology, making it an ideal choice for food and meat processing operations.

USA

Teguar
2920 Whitehall Park Drive
Charlotte, NC 28273
+1 866-693-3105
sales@teguar.com

EUROPE

Teguar Europe AG
Churerstrasse 54, CH-8808
Pfäffikon, Switzerland
+41 41 561 53 11
sales.EU@teguar.com

ASIA

Teguar Taiwan Ltd.
Rm. A, 28F-12., No.99, Sec. 1, Xintai 5th Rd.,
Xizhi Dist., New Taipei City 221, Taiwan (R.O.C.)
+886 2 7751 5319
sales@teguar.com.tw

Technical Specifications

Primary Components

Processor Family	Intel Celeron Elkhart Lake
Processor Model	Celeron J6412
Processor Speed	2.0 GHz, 2.6 GHz
Memory Type	2x DDR4 SO-DIMM
Memory Support	4GB, 8GB, 16GB, 32GB
Storage Type	1x 2.5" SATA Drive Bay for SSD/HDD (Internal, not with removable drive in use), 1x M.2 SATA3 2242 Slot
Storage Support	M.2 and 2.5": 128GB - 1TB

External I/O Ports

USB	2x USB 2.0, 2x USB 3.2
Serial / Com	2x COM
Serial Protocol Detail	RS-232/422/485
Ethernet / LAN	1x RJ45 2.5 GbE LAN, 1x RJ45 GbE LAN
Video Outputs	1x HDMI 2.0b, 1x VGA
Audio Ports	1x 3.5mm Audio Line-Out, 1x 3.5mm Microphone Jack
Power Input Port	M12 type 5-PIN DC-in

Thermal & Environmental

Operating Temperature	0°C - 40°C - 0°C - 50°C (32°F - 104°F (With HDD), 32°F - 122°F (With SSD))
Storage Temperature	-20°C - 60°C (-4°F - 140°F)
Cooling Solution	Passive - Fanless
Humidity Range	10% - 90% Non-condensing
Storage Humidity	10% - 90% Non-condensing

Peripherals & Wireless Connectivity

WiFi	Optional Wi-Fi 6 (802.11 a/b/g/n/ac/ax) Dual band with Flat Robust Antennas
Bluetooth	Optional Bluetooth 5.3
Barcode Scanner	Optional 1D/2D with Device Box

Warranty

Warranty	Up to 5 Years
----------	---------------

Specifications subject to change.

Display

Screen Size	21.5
Resolution	1920 x 1080 (Full HD)
Screen Ratio	16:9
Brightness	250 nits

Touch Screen

Touch Screen	5 Wire Resistive, Projected Capacitive (Multi-touch)
Hardness	Resistive: 3H, P-cap: 7H

Power

Input Voltage Range	12-28V DC
Standard Power Adapter	100-277Vac / 47-63 Hz / 24Vdc, 120W, IP68

Operating Systems

Windows	Windows 10 IoT, Windows 10 Pro, Windows 11 IoT, Windows 11 Pro
---------	--

Compatibility

Security Hardware	fTPM 2.0, Optional TPM 2.0
-------------------	----------------------------

Multimedia

Speakers	Optional Speaker
----------	------------------

Enclosure

Material	Optional SUS316 Stainless Steel, SUS304 Stainless Steel
IP Rating	IP66, IP69K
Color	Stainless Steel
Control Buttons	Power Button
Mounting Options	VESA 100 Mount, Wall Mount, Yoke Mount

Weight / Dimensions

Weight	12 kg (26.5 lbs)
Dimensions	557 x 58.5 x 348.5 mm (21.9 x 2.3 x 13.7 in)

USA

Teguar
2920 Whitehall Park Drive
Charlotte, NC 28273
+1 866-693-3105
sales@teguar.com

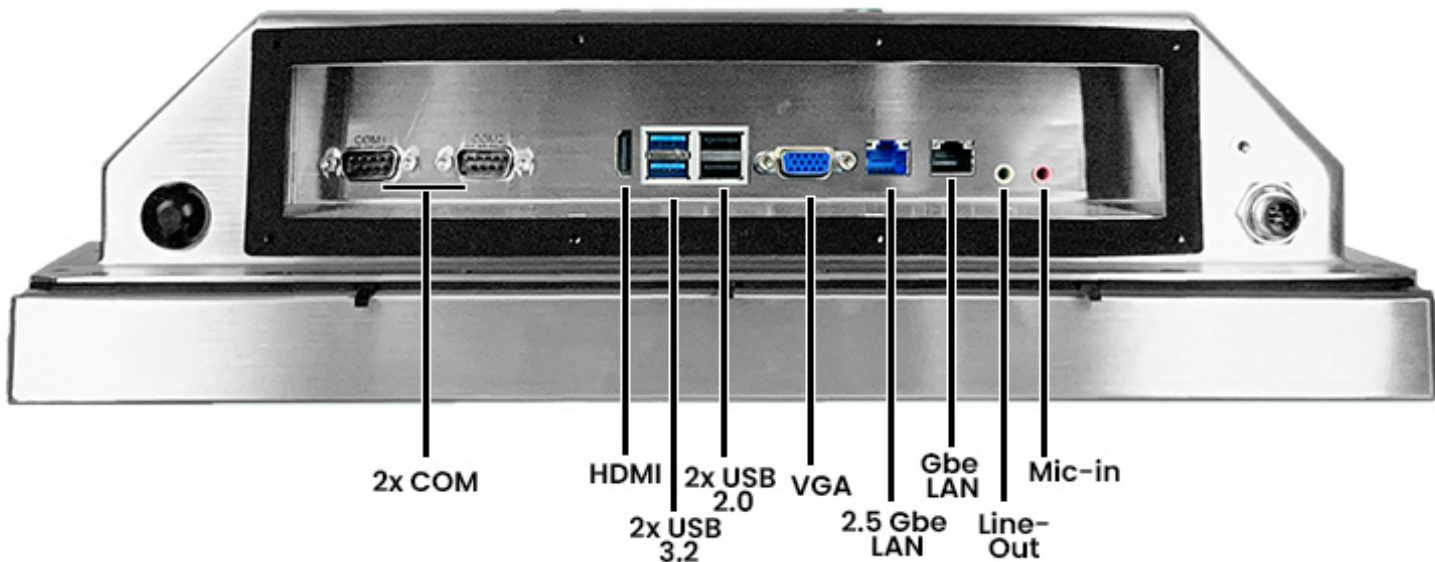
EUROPE

Teguar Europe AG
Churerstrasse 54, CH-8808
Pfäffikon, Switzerland
+41 41 561 53 11
sales.EU@teguar.com

ASIA

Teguar Taiwan Ltd.
Rm. A, 28F-12., No.99, Sec. 1, Xintai 5th Rd.,
Xizhi Dist., New Taipei City 221, Taiwan (R.O.C.)
+886 2 7751 5319
sales@teguar.com.tw

I/O Diagram Images



USA

Teguar
2920 Whitehall Park Drive
Charlotte, NC 28273
+1 866-693-3105
sales@teguar.com

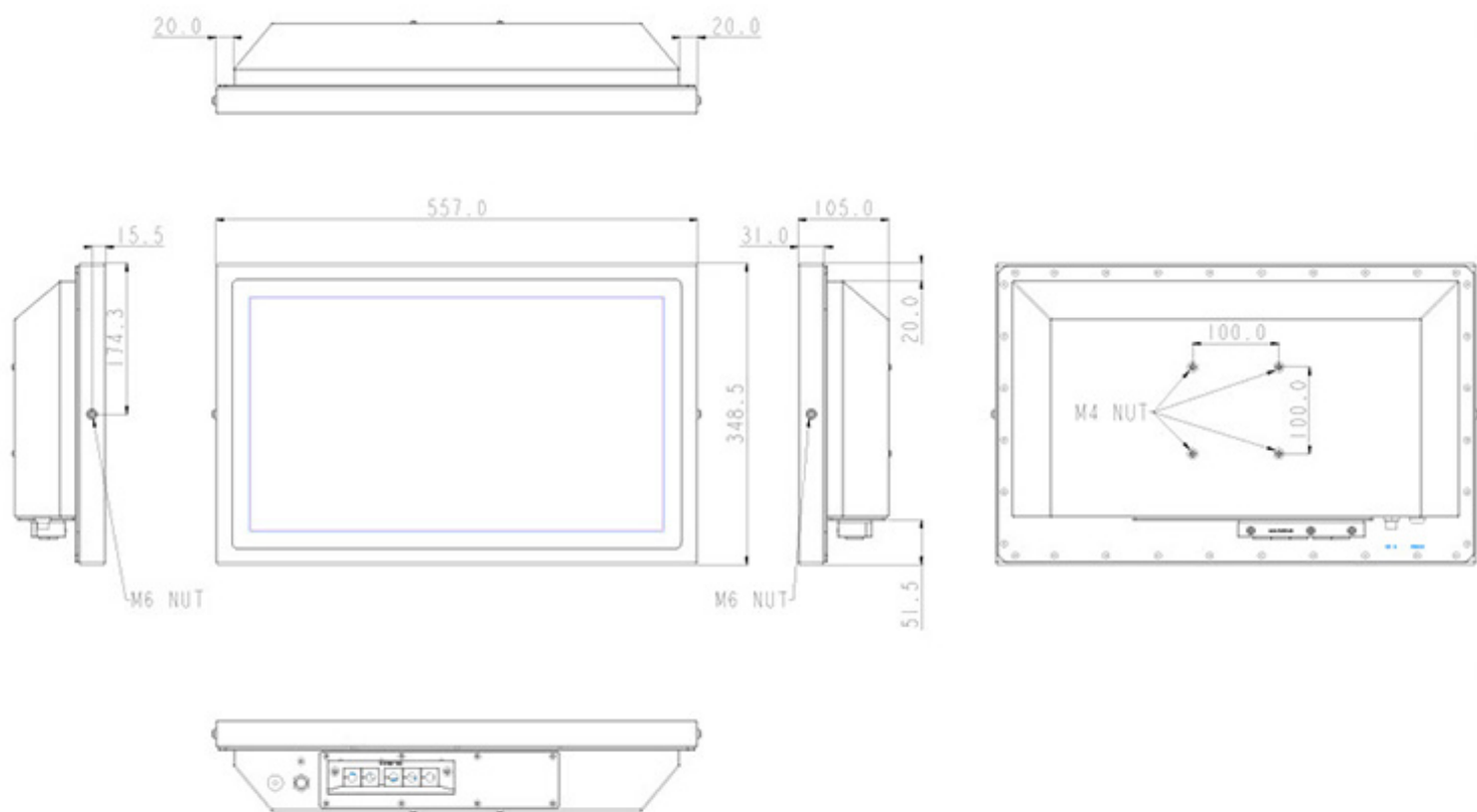
EUROPE

Teguar Europe AG
Churerstrasse 54, CH-8808
Pfäffikon, Switzerland
+41 41 561 53 11
sales.EU@teguar.com

ASIA

Teguar Taiwan Ltd.
Rm. A, 28F-12., No.99, Sec. 1, Xintai 5th Rd.,
Xizhi Dist., New Taipei City 221, Taiwan (R.O.C.)
+886 2 7751 5319
sales@teguar.com.tw

Tech Diagram Images



USA

Teguar
2920 Whitehall Park Drive
Charlotte, NC 28273
+1 866-693-3105
sales@teguar.com

EUROPE

Teguar Europe AG
Churerstrasse 54, CH-8808
Pfäffikon, Switzerland
+41 41 561 53 11
sales.EU@teguar.com

ASIA

Teguar Taiwan Ltd.
Rm. A, 28F-12., No.99, Sec. 1, Xintai 5th Rd.,
Xizhi Dist., New Taipei City 221, Taiwan (R.O.C.)
+886 2 7751 5319
sales@teguar.com.tw