

# TS-4845-12

## 12" Waterproof Touch Screen Computer



### Key Highlights

- 12.1" Touchscreen in Both Resistive and PCap Options
- Celeron J6412 Processor Passmark Rating 3839
- Windows 11 Compatibility
- IP66 Stainless Steel Housing
- Waterproof M12 I/O Connectors

[VIEW ONLINE](#)

Unleash productivity in wet or damp environments with our 12" Waterproof Touch Screen Computer. Powered by Windows 11 and a Celeron Quad-Core Processor, this device combines cutting-edge software with robust performance. Stay connected effortlessly with WiFi 6 capabilities, ensuring high-speed data transfer. The inclusion of M12 waterproof I/O connectors reinforces its resilience, providing secure and reliable connectivity, even in challenging conditions. With a perfect balance of size and functionality, this series is tailored for diverse applications, excelling in environments where durability, connectivity, and performance are paramount. Elevate your computing experience with this rugged and versatile solution.

#### USA

Teguar  
2920 Whitehall Park Drive  
Charlotte, NC 28273  
+1 866-693-3105  
sales@teguar.com

#### EUROPE

Teguar Europe AG  
Churerstrasse 54, CH-8808  
Pfäffikon, Switzerland  
+41 41 561 53 11  
sales.EU@teguar.com

#### ASIA

Teguar Taiwan Ltd.  
Rm. A, 28F-12., No.99, Sec. 1, Xintai 5th Rd.,  
Xizhi Dist., New Taipei City 221, Taiwan (R.O.C.)  
+886 2 7751 5319  
sales@teguar.com.tw

# Technical Specifications

## Primary Components

Processor Family	Intel Celeron Elkhart Lake
Processor Model	Celeron J6412
Processor Speed	2.0 GHz, Up to 2.6 GHz
Memory Type	1x DDR4 SO-DIMM
Memory Support	4GB, 8GB, 16GB, 32GB
Storage Type	1x M.2 SATA3 2242 Slot
Storage Support	128GB-1TB

## Power

Input Voltage Range	9-36V DC
---------------------	----------

## Operating Systems

Windows	Windows 10 IoT, Windows 10 Pro, Windows 11 IoT, Windows 11 Pro
---------	--

## Compatibility

Security Hardware	TPM 2.0
-------------------	---------

## Thermal & Environmental

Operating Temperature	0°C - 50°C (32°F - 122°F), -20°C - 60°C (Optional -4°F - 140°F)
Storage Temperature	-30°C - 70°C (-22°F - 158°F)
Cooling Solution	Passive - Fanless
Humidity Range	10% - 95% Non-condensing

## Peripherals & Wireless Connectivity

WiFi	Optional Wi-Fi 6, 802.11 a/b/g/n/ac/ax
Bluetooth	Optional Bluetooth 5.3
Sim Card	1x Nano SIM Card Slot
RFID	Optional 125KHz OR 13.56 MHz
Sensors	Light Sensor

## Warranty

Warranty	Up to 5 Years
----------	---------------

*Specifications subject to change.*

## Display

Screen Size	12.1"
Resolution	1024 x 768 (XGA)
Screen Ratio	4:3
Brightness	450 nits, Optional 1000 nit High Brightness

## Touch Screen

Touch Screen	Projected Capacitive (Multi-touch), Resistive
--------------	---

## External I/O Ports

USB	1x M12 8Pin for USB 1/2, 1x Optional M12 8Pin for USB 3/4
Serial / Com	1x M12 8-pin for COM, 1x Optional M12 8-pin for COM 2
Serial Protocol Detail	RS-232/422/485, RS-232 Default
Ethernet / LAN	1x M12 8pin RJ45 Gbe LAN, 1x Optional M12 8pin RJ45 Gbe LAN
Power Input Port	M12 type 3-PIN DC-in

## Expansion Slots

Internal M.2	1x M.2 Type E
--------------	---------------

## Enclosure

Material	Optional SUS316 Stainless Steel, SUS304 Stainless Steel
IP Rating	IP66, IP69K Front Bezel
Color	Stainless Steel
Led Indicator Light	Power
Control Buttons	Power Button, Touchscreen Lock for Cleaning
Mounting Options	Desktop Stand, VESA 75 Mount, Wall Mount, Yoke Mount

## Weight / Dimensions

Dimensions	335 x 53 x 256 mm (13.2 x 2.1 x 10.1 in)
------------	--

## Certification

Certifications	CE, FCC
----------------	---------

## USA

Teguar  
2920 Whitehall Park Drive  
Charlotte, NC 28273  
+1 866-693-3105  
sales@teguar.com

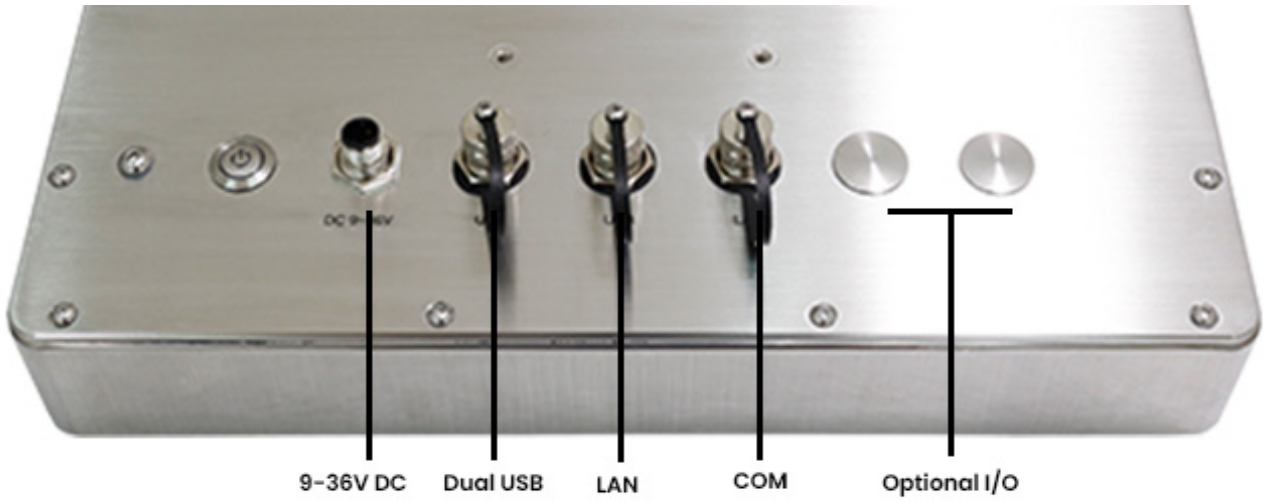
## EUROPE

Teguar Europe AG  
Churerstrasse 54, CH-8808  
Pfäffikon, Switzerland  
+41 41 561 53 11  
sales.EU@teguar.com

## ASIA

Teguar Taiwan Ltd.  
Rm. A, 28F-12., No.99, Sec. 1, Xintai 5th Rd.,  
Xizhi Dist., New Taipei City 221, Taiwan (R.O.C.)  
+886 2 7751 5319  
sales@teguar.com.tw

## I/O Diagram Images



### USA

Teguar  
2920 Whitehall Park Drive  
Charlotte, NC 28273  
+1 866-693-3105  
sales@teguar.com

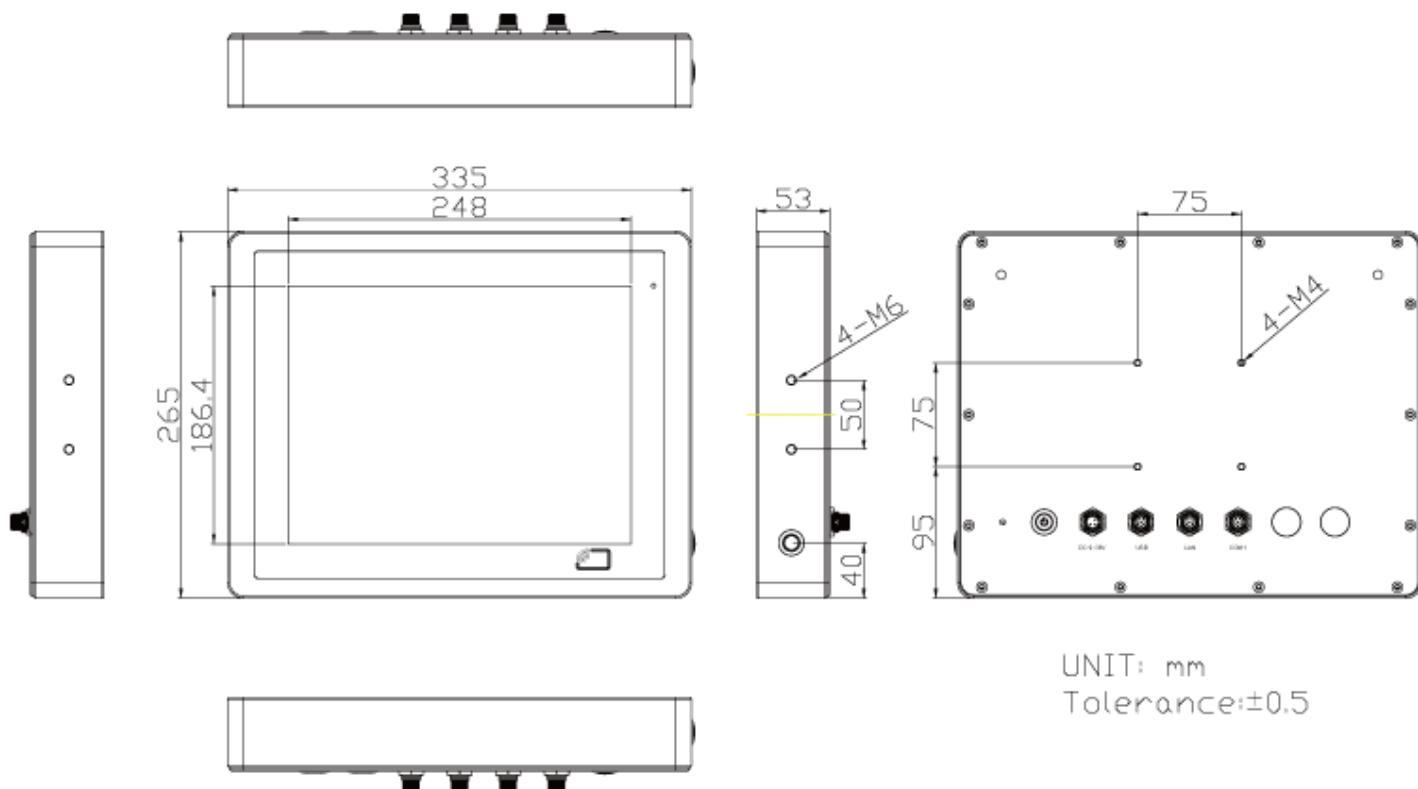
### EUROPE

Teguar Europe AG  
Churerstrasse 54, CH-8808  
Pfäffikon, Switzerland  
+41 41 561 53 11  
sales.EU@teguar.com

### ASIA

Teguar Taiwan Ltd.  
Rm. A, 28F-12., No.99, Sec. 1, Xintai 5th Rd.,  
Xizhi Dist., New Taipei City 221, Taiwan (R.O.C.)  
+886 2 7751 5319  
sales@teguar.com.tw

# Tech Diagram Images



## USA

Teguar  
2920 Whitehall Park Drive  
Charlotte, NC 28273  
+1 866-693-3105  
sales@teguar.com

## EUROPE

Teguar Europe AG  
Churerstrasse 54, CH-8808  
Pfäffikon, Switzerland  
+41 41 561 53 11  
sales.EU@teguar.com

## ASIA

Teguar Taiwan Ltd.  
Rm. A, 28F-12., No.99, Sec. 1, Xintai 5th Rd.,  
Xizhi Dist., New Taipei City 221, Taiwan (R.O.C.)  
+886 2 7751 5319  
sales@teguar.com.tw