

TR-2920-15

15" Waterproof Panel PC



Key Highlights

- 15" Resistive Touchscreen
- Intel Bay Trail N2930 1.83GHz CPU
- IP67 Dust and Water Proof
- Ultra Low Power Consumption
- Aluminum Die-Casting Housing with Anti-Corrosion Treatment
- Wide Range 9 to 36V DC Input with Isolation

[VIEW ONLINE](#)

The TR-2920-15 is a rugged, waterproof computer with an Intel Bay Trail CPU and industrial-strength aluminum die-casting housing. This computer complies with MIL-STD-810F/G, so it can withstand vibrations and shocks. The bezel is IP67 rated for protection from liquids and airborne particles and is specifically designed to withstand salt, sand and corrosive chemicals found in the oil and gas industries. The TR-2920-15 is VESA mountable and has an optional mounting bracket.

This product is now considered "Previous Generation" meaning it may or may not still be available for purchase. Call +1 800 870 7715 for details on this product or check out our full list of [currently available Rugged Computers](#).

USA

Teguar
2920 Whitehall Park Drive
Charlotte, NC 28273
+1 866-693-3105
sales@teguar.com

EUROPE

Teguar Europe AG
Churerstrasse 54, CH-8808
Pfäffikon, Switzerland
+41 41 561 53 11
sales.EU@teguar.com

ASIA

Teguar Taiwan Ltd.
Rm. A, 28F-12., No.99, Sec. 1, Xintai 5th Rd.,
Xizhi Dist., New Taipei City 221, Taiwan (R.O.C.)
+886 2 7751 5319
sales@teguar.com.tw

Technical Specifications

Primary Components

Processor Family	Intel Celeron Bay Trail
Processor Model	N2930
Processor Speed	1.83 GHz
Memory Type	1x DDR3 SO-DIMM
Memory Support	2GB, 4GB, 8GB
Storage Type	mSATA
Storage Support	32GB-512GB

Operating Systems

Windows	Windows 10 IoT, Windows 8.1 Pro
---------	---------------------------------

Compatibility

Security Hardware	TPM 1.2
-------------------	---------

Enclosure

Material	Aluminum, Anti-Corrosion Painted
IP Rating	IP67
Color	Black
Control Buttons	Brightness Down, Brightness Up, Power Button, Power Reset, Touchscreen Lock for Cleaning
Mounting Options	VESA Mount

Warranty

Warranty	Up to 5 Years
----------	---------------

Specifications subject to change.

Display

Screen Size	15"
Screen Ratio	4:3
Brightness	250 nits, Optional 1000 nit High Brightness

Touch Screen

Touch Screen	5 Wire Resistive
--------------	------------------

External I/O Ports

USB	2x USB 2.0
Serial / Com	1x COM
Serial Protocol Detail	1x RS-232
Ethernet / LAN	1x RJ45 GbE LAN

Thermal & Environmental

Operating Temperature	-10°C - 55°C (14°F - 131°F)
Storage Temperature	-30°C - 70°C (-22°F - 158°F)
Cooling Solution	Passive - Fanless
Humidity Range	10% - 95% Non-condensing

Weight / Dimensions

Weight	4.9 kg (10.8 lbs)
Dimensions	398 x 308 x 58 mm (15.7 x 12.1 x 2.3 in)

USA

Teguar
2920 Whitehall Park Drive
Charlotte, NC 28273
+1 866-693-3105
sales@teguar.com

EUROPE

Teguar Europe AG
Churerstrasse 54, CH-8808
Pfäffikon, Switzerland
+41 41 561 53 11
sales.EU@teguar.com

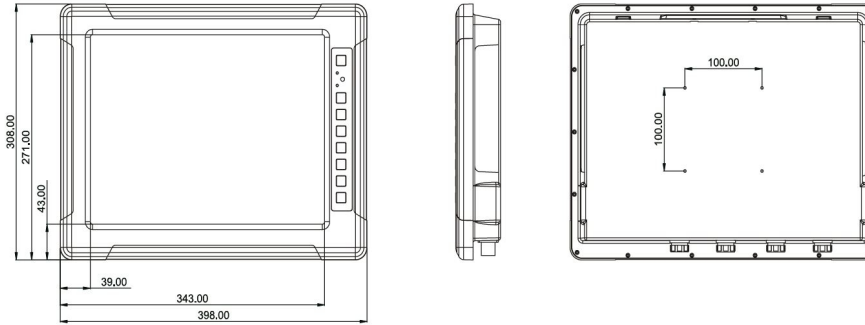
ASIA

Teguar Taiwan Ltd.
Rm. A, 28F-12., No.99, Sec. 1, Xintai 5th Rd.,
Xizhi Dist., New Taipei City 221, Taiwan (R.O.C.)
+886 2 7751 5319
sales@teguar.com.tw

I/O Diagram Images



Tech Diagram Images



USA

Teguar
2920 Whitehall Park Drive
Charlotte, NC 28273
+1 866-693-3105
sales@teguar.com

EUROPE

Teguar Europe AG
Churerstrasse 54, CH-8808
Pfäffikon, Switzerland
+41 41 561 53 11
sales.EU@teguar.com

ASIA

Teguar Taiwan Ltd.
Rm. A, 28F-12., No.99, Sec. 1, Xintai 5th Rd.,
Xizhi Dist., New Taipei City 221, Taiwan (R.O.C.)
+886 2 7751 5319
sales@teguar.com.tw