

# TSP-2945-19

## 19" Stainless Steel Industrial Computer



### Key Highlights

- 19" Resistive or Projected Capacitive Touchscreen
- Intel Celeron N2930
- IP66/IP69K Compliant Front Bezel
- Aluminum Back Cover and Fanless Design
- Wide Range DC 9~36V Power Input

[VIEW ONLINE](#)

This 19" Industrial [Panel PC](#) has an IP66/IP69K compliant stainless steel front bezel and an aluminum back cover. When panel mounted, this PC is an ideal waterproof solution for food and beverage manufacturing or industrial applications exposed to liquids, sprays or humidity. The TSP-2945-19 has an Intel Celeron processor and supports Windows 7, Windows 8.1, and Windows 10 IoT. This computer can act as an HMI (human-machine interface), track metrics for your SCADA (supervisory control and data acquisition) program, or run your ERP (enterprise resource planning) software. The TSP-2945 series is available in screen sizes from 7" – 22".

#### USA

Teguar  
2920 Whitehall Park Drive  
Charlotte, NC 28273  
+1 866-693-3105  
sales@teguar.com

#### EUROPE

Teguar Europe AG  
Churerstrasse 54, CH-8808  
Pfäffikon, Switzerland  
+41 41 561 53 11  
sales.EU@teguar.com

#### ASIA

Teguar Taiwan Ltd.  
Rm. A, 28F-12., No.99, Sec. 1, Xintai 5th Rd.,  
Xizhi Dist., New Taipei City 221, Taiwan (R.O.C.)  
+886 2 7751 5319  
sales@teguar.com.tw

# Technical Specifications

## Primary Components

Processor Family	Intel Celeron Bay Trail
Processor Model	N2930
Processor Speed	1.83 GHz
Memory Type	Onboard DDR3
Memory Support	4GB
Storage Type	1x 2.5" SATA Drive Bay for SSD/HDD (easily accessible)
Storage Support	32GB-1TB

## Power

Input Voltage Range	9-36V DC
Max Power Consumption	26W
Standard Power Adapter	Optional 12V AC/DC Adapter

## Operating Systems

Windows	Windows 10 IoT, Windows 10 Pro, Windows 7 Pro, Windows 8.1 Pro
---------	--

## Thermal & Environmental

Operating Temperature	0°C - 50°C (32°F - 122°F)
Storage Temperature	-30°C - 70°C (-22°F - 158°F)
Cooling Solution	Passive - Fanless
Storage Humidity	10% - 90% Non-condensing

## Weight / Dimensions

Weight	5.9 kg (13.0 lbs)
Dimensions	485 x 398 x 63.8 mm (19.1 x 15.7 x 2.5 in)

Specifications subject to change.

## Display

Screen Size	19
Screen Ratio	4:3
Brightness	350 nits, Optional 900 nit High Brightness

## Touch Screen

Touch Screen	Projected Capacitive, Resistive
--------------	---------------------------------

## External I/O Ports

USB	2x USB 3.0
Serial / Com	2x COM
Serial Protocol Detail	1x RS-232/422/485 DB-9, default RS-232(COM1), 1x RS-232 DB-9(COM2)
Ethernet / LAN	2x RJ45 GbE LAN
Video Outputs	1x Optional HDMI
Audio Ports	1x Audio Line-Out
Power Input Port	3-Pin DC-In (Phoenix Type)

## Enclosure

Material	Aluminum, Optional SUS316 Stainless Steel, SUS304 Stainless Steel
IP Rating	IP66 Front Bezel, IP69K Front Bezel
Mounting Options	Panel Mount, VESA 100 Mount
Approved Cleaning Solutions	Acetone, Alcohol, Club Soda, Hydrochloric Acid, Methyl Alcohol, Mineral Spirits, Nitric Acid, Sulfuric Acid (low concentration), Vinegar, Warm Water

## Certification

Certifications	CE, FCC Class A
----------------	-----------------

## Warranty

Warranty	Up to 5 Years
----------	---------------

### USA

Teguar  
2920 Whitehall Park Drive  
Charlotte, NC 28273  
+1 866-693-3105  
sales@teguar.com

### EUROPE

Teguar Europe AG  
Churerstrasse 54, CH-8808  
Pfäffikon, Switzerland  
+41 41 561 53 11  
sales.EU@teguar.com

### ASIA

Teguar Taiwan Ltd.  
Rm. A, 28F-12., No.99, Sec. 1, Xintai 5th Rd.,  
Xizhi Dist., New Taipei City 221, Taiwan (R.O.C.)  
+886 2 7751 5319  
sales@teguar.com.tw

## I/O Diagram Images



### USA

Teguar  
2920 Whitehall Park Drive  
Charlotte, NC 28273  
+1 866-693-3105  
sales@teguar.com

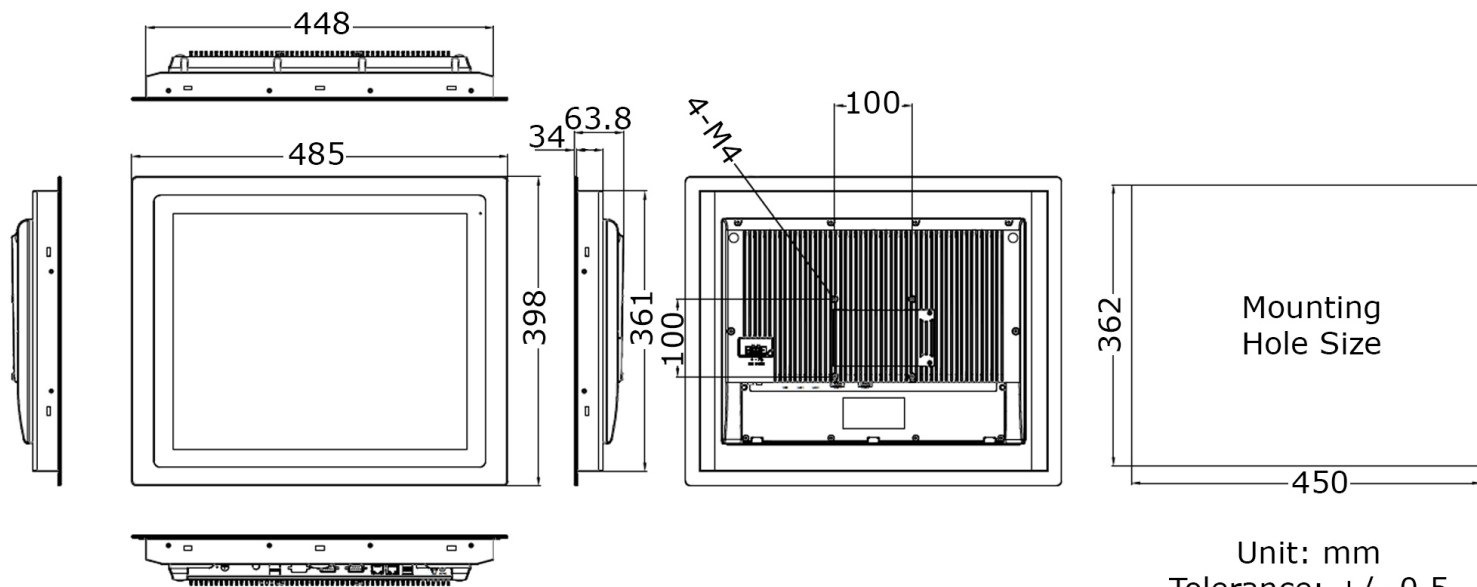
### EUROPE

Teguar Europe AG  
Churerstrasse 54, CH-8808  
Pfäffikon, Switzerland  
+41 41 561 53 11  
sales.EU@teguar.com

### ASIA

Teguar Taiwan Ltd.  
Rm. A, 28F-12., No.99, Sec. 1, Xintai 5th Rd.,  
Xizhi Dist., New Taipei City 221, Taiwan (R.O.C.)  
+886 2 7751 5319  
sales@teguar.com.tw

# Tech Diagram Images



## USA

Teguar  
2920 Whitehall Park Drive  
Charlotte, NC 28273  
+1 866-693-3105  
sales@teguar.com

## EUROPE

Teguar Europe AG  
Churerstrasse 54, CH-8808  
Pfäffikon, Switzerland  
+41 41 561 53 11  
sales.EU@teguar.com

## ASIA

Teguar Taiwan Ltd.  
Rm. A, 28F-12., No.99, Sec. 1, Xintai 5th Rd.,  
Xizhi Dist., New Taipei City 221, Taiwan (R.O.C.)  
+886 2 7751 5319  
sales@teguar.com.tw