

TA-5940-12

12" Fanless Touch Computer



Key Highlights

- 11.6" LED with PCAP Touchscreen
- Intel 11th Gen Tigerlake CPU
- Slim, Durable Housing, Small form factor
- Customizable, Modular, Expandable
- Full Function USB Type C

[VIEW ONLINE](#)

The TA-5940-12 is a modular and slim form factor AIO, great for point-of-sale systems. It has an 11.6" full HD display with a reliable and responsive PCAP touchscreen. This computer can run Windows or Linux on its Intel 11th Gen Tigerlake CPU, and it is compatible with many POS payment terminals and kiosk software systems. It can be mounted on the available POS stand, printer stand, floor stand, and virtually any type of stand or arm via its VESA mounting hole pattern. Up to two optional peripherals can be added to the top and bottom sides of this computer at one time, including a 3-Track MSR Fingerprint Reader, RFID Reader, 2D Barcode Scanner, 5MP Camera with microphone, and Verifone® VX820 or Ingenico payment terminals.

USA

Teguar
2920 Whitehall Park Drive
Charlotte, NC 28273
+1 866-693-3105
sales@teguar.com

EUROPE

Teguar Europe AG
Churerstrasse 54, CH-8808
Pfäffikon, Switzerland
+41 41 561 53 11
sales.EU@teguar.com

ASIA

Teguar Taiwan Ltd.
Rm. A, 28F-12., No.99, Sec. 1, Xintai 5th Rd.,
Xizhi Dist., New Taipei City 221, Taiwan (R.O.C.)
+886 2 7751 5319
sales@teguar.com.tw

Technical Specifications

Primary Components

Processor Family	Intel Core I series 11th Generation Tiger Lake
Processor Model	Core i3-1115G4E
Memory Type	1x DDR4 SO-DIMM
Memory Support	4GB, 8GB, 16GB
Storage Type	M.2
Storage Support	M.2: 128GB-1TB

Power

Input Voltage Range	19V DC
Standard Power Adapter	120W AC/DC Adapter

Operating Systems

Windows	Windows 10 IoT, Windows 10 Pro, Windows 11 IoT, Windows 11 Pro
Linux	Linux (Contact your sales rep for more information)

Compatibility

Security Hardware	TPM 2.0
-------------------	---------

Multimedia

Speakers	1x 3W Speaker
Camera	Optional 5MP Webcam

Enclosure

Material	Plastic
IP Rating	IP54 Front Bezel
Color	Black
Mounting Options	VESA 75 Mount

Weight / Dimensions

Weight	1.4 kg (3.1 lbs)
Dimensions	277 x 180.5 x 40.8 mm (10.9 x 7.1 x 1.6 in)

Certification

Certifications	CE, FCC Class A, LVD
----------------	----------------------

Display

Screen Size	11.6"
Screen Ratio	16:9
Brightness	300 nits

Touch Screen

Touch Screen	Projected Capacitive (Multi-touch)
--------------	------------------------------------

External I/O Ports

USB	1x USB 2.0 type C (data only), 1x USB 3.0 Type-C (Power/Video/Data), 2x USB 2.0, 2x USB 3.0
Serial / Com	2x COM
Serial Protocol Detail	x2 RS-232 DB-9
Ethernet / LAN	1x RJ45 GbE LAN
Other Ports	1x RJ11
Power Input Port	4-Pole DIN (latching)

Expansion Slots

Internal M.2	1x M.2 2230 Key E (for WiFi expansion option)
Expansion Module support	2 USB based expansion areas on Bezel

Thermal & Environmental

Operating Temperature	0°C - 35°C (32°F - 95°F)
Storage Temperature	-20°C - 60°C (-4°F - 140°F)
Cooling Solution	Passive - Fanless
Humidity Range	20% - 85% Non-condensing

Peripherals & Wireless Connectivity

WiFi	Optional 802.11 a/b/g/n/ac
Bluetooth	Optional Bluetooth 5.1
Barcode Scanner	Optional 1D/2D Barcode Scanner
RFID	Optional RFID
Peripheral Other	3-Track MSR; Fingerprint Reader; Light Bar Indicator; Contact Teguar is you have a customized external Module request

Warranty

Warranty	Up to 5 Years
----------	---------------

Specifications subject to change.

USA

Teguar
2920 Whitehall Park Drive
Charlotte, NC 28273
+1 866-693-3105
sales@teguar.com

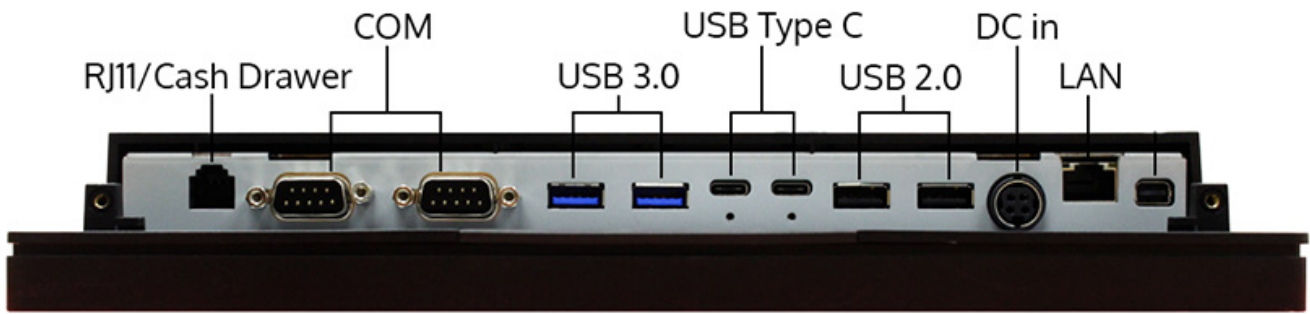
EUROPE

Teguar Europe AG
Churerstrasse 54, CH-8808
Pfäffikon, Switzerland
+41 41 561 53 11
sales.EU@teguar.com

ASIA

Teguar Taiwan Ltd.
Rm. A, 28F-12., No.99, Sec. 1, Xintai 5th Rd.,
Xizhi Dist., New Taipei City 221, Taiwan (R.O.C.)
+886 2 7751 5319
sales@teguar.com.tw

I/O Diagram Images



USA

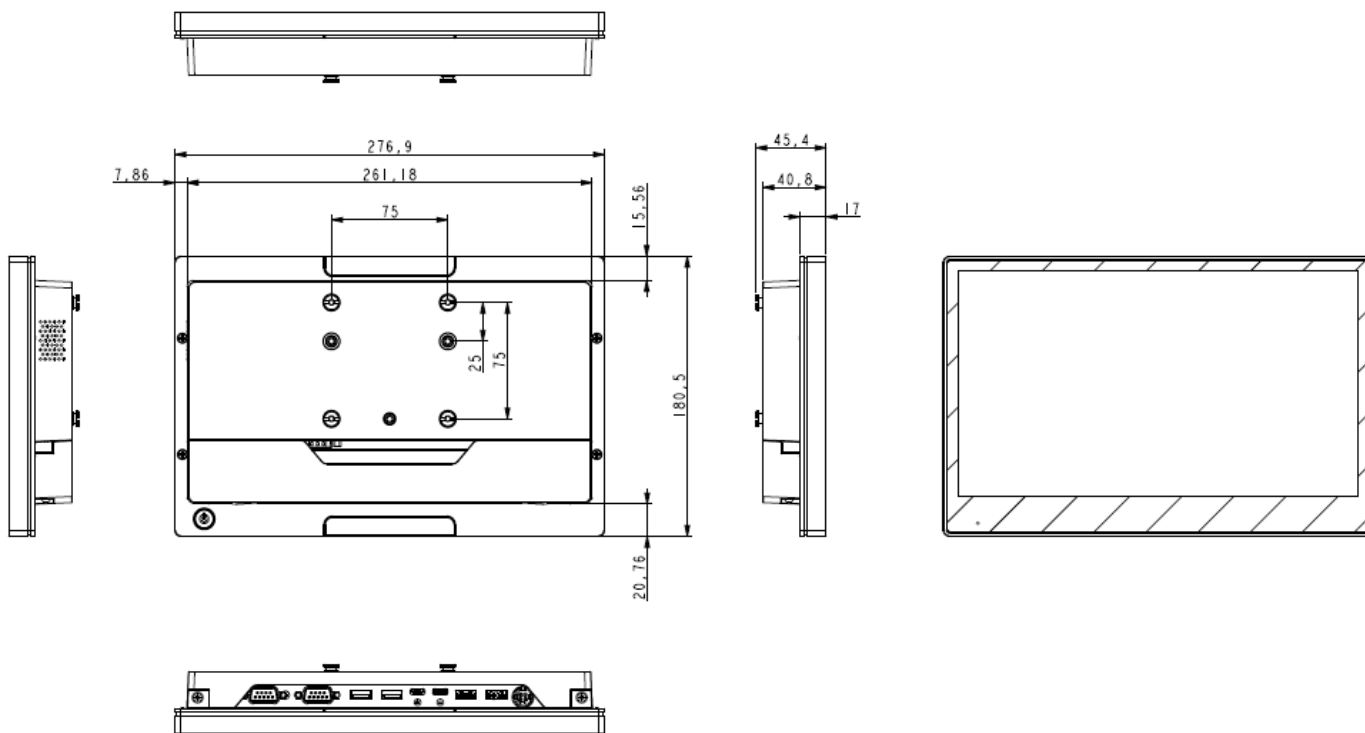
Teguar
2920 Whitehall Park Drive
Charlotte, NC 28273
+1 866-693-3105
sales@teguar.com

EUROPE

Teguar Europe AG
Churerstrasse 54, CH-8808
Pfäffikon, Switzerland
+41 41 561 53 11
sales.EU@teguar.com

ASIA

Teguar Taiwan Ltd.
Rm. A, 28F-12., No.99, Sec. 1, Xintai 5th Rd.,
Xizhi Dist., New Taipei City 221, Taiwan (R.O.C.)
+886 2 7751 5319
sales@teguar.com.tw



USA

Teguar
 2920 Whitehall Park Drive
 Charlotte, NC 28273
 +1 866-693-3105
 sales@teguar.com

EUROPE

Teguar Europe AG
 Churerstrasse 54, CH-8808
 Pfäffikon, Switzerland
 +41 41 561 53 11
 sales.EU@teguar.com

ASIA

Teguar Taiwan Ltd.
 Rm. A, 28F-12., No.99, Sec. 1, Xintai 5th Rd.,
 Xizhi Dist., New Taipei City 221, Taiwan (R.O.C.)
 +886 2 7751 5319
 sales@teguar.com.tw