

TB-3445

Rugged Mini PC



Key Highlights

- Intel N3350/4200 CPU
- Slim & Rugged Chassis
- Abundant Inputs/Outputs
- DIN Rail Mountable
- Wide Range DC 9~36V Power Input

[VIEW ONLINE](#)

The TB-3445 is a [rugged mini box PC](#) designed to work in dirty, hot environments for years and years. This computer is low cost and compact, while still being rugged and industrial. Compared to similar low-cost computer solutions, the TB-3445 is much more reliable. This computer is built to run 24/7 in your manufacturing facility or warehouse. It is ideal for connecting your PLCs to the cloud, monitoring the production floor from an office, and taking actions such as controlling machinery, turning on/off pumps, or stopping production. This PC can be DIN rail mounted or wall mounted with built-in expansion tabs, and fits lots of I/Os in a small package. [Read a 3rd party review of the TB-3445 from ruggedpcpreview.com >](#)

USA

Teguar
2920 Whitehall Park Drive
Charlotte, NC 28273
+1 866-693-3105
sales@teguar.com

EUROPE

Teguar Europe AG
Churerstrasse 54, CH-8808
Pfäffikon, Switzerland
+41 41 561 53 11
sales.EU@teguar.com

ASIA

Teguar Taiwan Ltd.
Rm. A, 28F-12., No.99, Sec. 1, Xintai 5th Rd.,
Xizhi Dist., New Taipei City 221, Taiwan (R.O.C.)
+886 2 7751 5319
sales@teguar.com.tw

Technical Specifications

Primary Components

Processor Family	Intel Celeron Apollo Lake
Processor Model	N3350 Dual Core
Processor Speed	Up to 2.4 GHz
Memory Type	1x DDR3L SO-DIMM
Memory Support	4GB, 8GB
Storage Type	mSATA
Storage Support	64GB (Standard), up to 256GB (Optional)

Operating Systems

Windows	Windows 10 IoT, Windows 10 Pro
---------	--------------------------------

Expansion Slots

Expansion Module support	Default expansion: 2 x COM (DB9); Optional expansion requires MOQ - 3 x COM (Terminal Block); 2 x USB 2.0; 16 channel GPIO
SD card	1x Micro SD Slot

Enclosure

Material	Aluminum
Color	Black, Gray
Led Indicator Light	Power
Control Buttons	Power Button
Mounting Options	DIN Rail Mount, Wall Mount

Weight / Dimensions

Weight	.78 kg (172.0 lbs)
Dimensions	140 x 120 x 42 mm (5.5 x 4.7 x 1.7 in)

Specifications subject to change.

External I/O Ports

USB	1x USB 2.0, 1x USB 3.0 type C, 2x USB 3.0 (with lock)
Serial / Com	2x COM
Serial Protocol Detail	2x RS-232/422/485
Ethernet / LAN	2x RJ45 GbE LAN
Video Outputs	1x DisplayPort
Power Input Port	3-Pin DC-In (Phoenix Type)

Power

Input Voltage Range	9-36V DC
Max Power Consumption	33W
Standard Power Adapter	Optional 12V AC/DC Adapter

Thermal & Environmental

Operating Temperature	-20°C - 60°C (-4°F - 140°F)
Storage Temperature	-40°C - 85°C (-40°F - 185°F)
Cooling Solution	Passive - Fanless with Heatsink
Humidity Range	10% - 90% Non-condensing
Storage Humidity	10% - 90% Non-condensing

Peripherals & Wireless Connectivity

WiFi	Optional
------	----------

Warranty

Warranty	Up to 5 Years
----------	---------------

USA

Teguar
2920 Whitehall Park Drive
Charlotte, NC 28273
+1 866-693-3105
sales@teguar.com

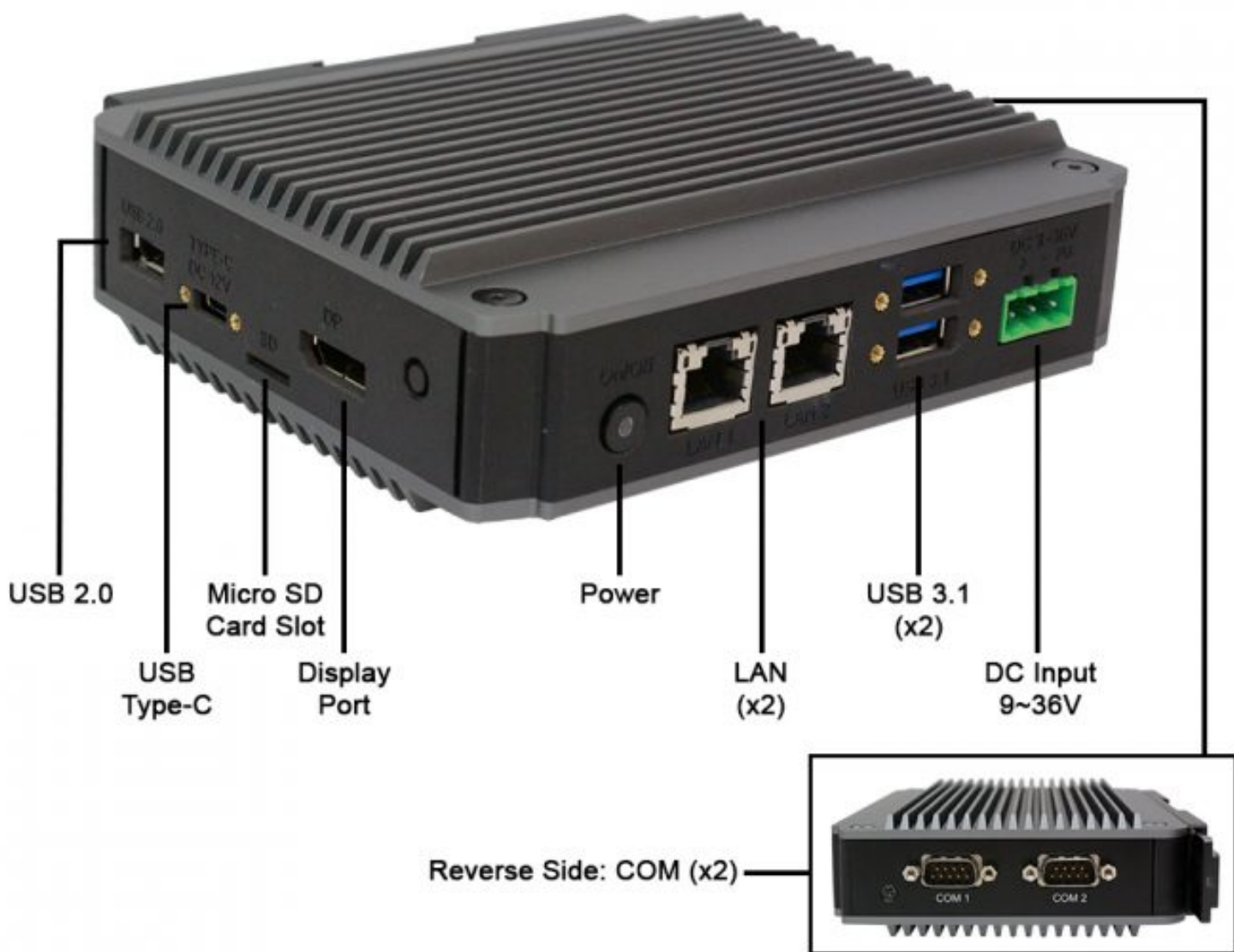
EUROPE

Teguar Europe AG
Churerstrasse 54, CH-8808
Pfäffikon, Switzerland
+41 41 561 53 11
sales.EU@teguar.com

ASIA

Teguar Taiwan Ltd.
Rm. A, 28F-12., No.99, Sec. 1, Xintai 5th Rd.,
Xizhi Dist., New Taipei City 221, Taiwan (R.O.C.)
+886 2 7751 5319
sales@teguar.com.tw

I/O Diagram Images



USA

Teguar
2920 Whitehall Park Drive
Charlotte, NC 28273
+1 866-693-3105
sales@teguar.com

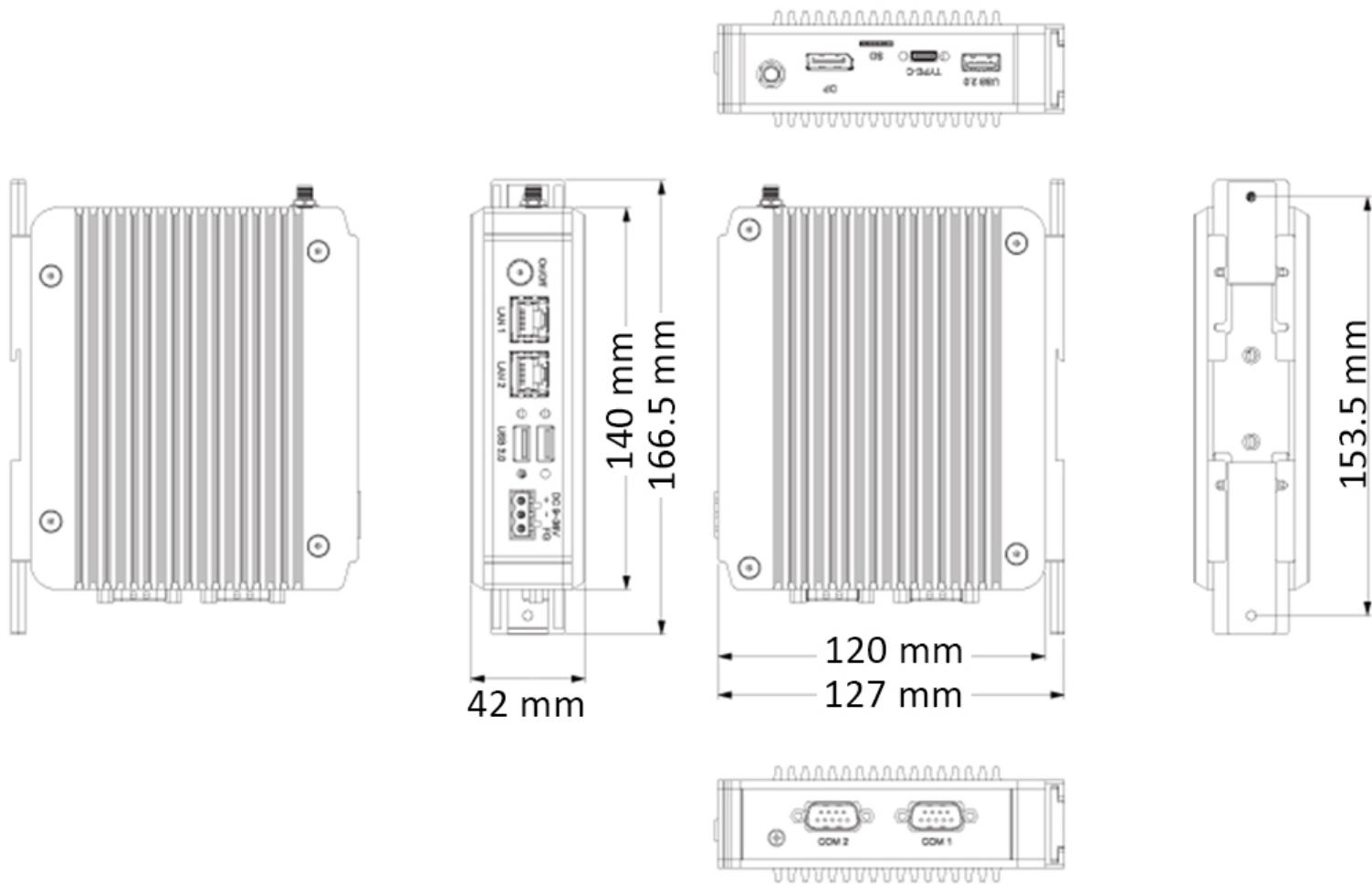
EUROPE

Teguar Europe AG
Churerstrasse 54, CH-8808
Pfäffikon, Switzerland
+41 41 561 53 11
sales.EU@teguar.com

ASIA

Teguar Taiwan Ltd.
Rm. A, 28F-12., No.99, Sec. 1, Xintai 5th Rd.,
Xizhi Dist., New Taipei City 221, Taiwan (R.O.C.)
+886 2 7751 5319
sales@teguar.com.tw

Tech Diagram Images



USA

Teguar
2920 Whitehall Park Drive
Charlotte, NC 28273
+1 866-693-3105
sales@teguar.com

EUROPE

Teguar Europe AG
Churerstrasse 54, CH-8808
Pfäffikon, Switzerland
+41 41 561 53 11
sales.EU@teguar.com

ASIA

Teguar Taiwan Ltd.
Rm. A, 28F-12., No.99, Sec. 1, Xintai 5th Rd.,
Xizhi Dist., New Taipei City 221, Taiwan (R.O.C.)
+886 2 7751 5319
sales@teguar.com.tw