

TD-45-17

17" Industrial Touchscreen Monitor



Key Highlights

- 17" LCD with 1280 x 1024 Resolution
- Die Cast Aluminum Chassis
- Optional High Brightness LCD and Auto Dimming
- Wide Range DC 9~36V Power Input
- Resistive or Projected Capacitive Touchscreen
- IP66 Compliant Front Panel

[VIEW ONLINE](#)

The TD-45-17 is a cost effective, versatile solution that fits the needs of many industrial applications. This [industrial touch monitor display](#) can be panel mounted, making its front bezel IP66 protected against dust and liquids. Or, it can be mounted to an arm, stand, or hung on a surface. The TD-45-08 can be connected to any computer including a rugged box PC or another touchscreen panel PC. This industrial touchscreen display includes VGA, DVI, HDMI, and DisplayPort video inputs. The same model is available in screen sizes from 7" to 21.5". These industrial touchscreen monitors may be mounted into control cabinets, integrated onto an OEM machine, or used in a manufacturing environment.

USA

Teguar
2920 Whitehall Park Drive
Charlotte, NC 28273
+1 866-693-3105
sales@teguar.com

EUROPE

Teguar Europe AG
Churerstrasse 54, CH-8808
Pfäffikon, Switzerland
+41 41 561 53 11
sales.EU@teguar.com

ASIA

Teguar Taiwan Ltd.
Rm. A, 28F-12., No.99, Sec. 1, Xintai 5th Rd.,
Xizhi Dist., New Taipei City 221, Taiwan (R.O.C.)
+886 2 7751 5319
sales@teguar.com.tw

Technical Specifications

Display	
Screen Size	17"
Screen Ratio	5:04
Brightness	350 nits, Optional 1000 nit High Brightness

Power	
Input Voltage Range	9-32V DC
Max Power Consumption	11.6W (Resistive), 27.3W (P-Cap)
Standard Power Adapter	Optional 12V AC/DC Adapter

Enclosure	
Material	Aluminum
IP Rating	IP66 Front Bezel
Color	Silver
Mounting Options	Panel Mount, VESA 100 Mount
Approved Cleaning Solutions	Alcohol, Chlorine and Compounds, Glutaraldehyde, Hydrogen Peroxide, Ortho-phthalaldehyde (OPA), Quaternary Ammonium Compounds

Certification	
Certifications	CE, FCC Class A

Specifications subject to change.

Touch Screen	
Touch Screen	Projected Capacitive, Resistive

External I/O Ports	
Audio Ports	1x Optional Speaker with 1x Audio Input
Power Input Port	3-Pin DC-In (Phoenix Type)

Multimedia	
Speakers	Optional Speaker

Thermal & Environmental	
Operating Temperature	-20°C - 60°C (-4°F - 140°F)
Storage Temperature	-30°C - 70°C (-22°F - 158°F)
Cooling Solution	Passive - Fanless
Storage Humidity	10% - 90% Non-condensing

Weight / Dimensions	
Weight	5.9 kg (13.0 lbs)
Dimensions	439 x 348 x 64.8 mm (17.3 x 13.7 x 2.6 in)

Warranty	
Warranty	Up to 5 Years

USA

Teguar
2920 Whitehall Park Drive
Charlotte, NC 28273
+1 866-693-3105
sales@teguar.com

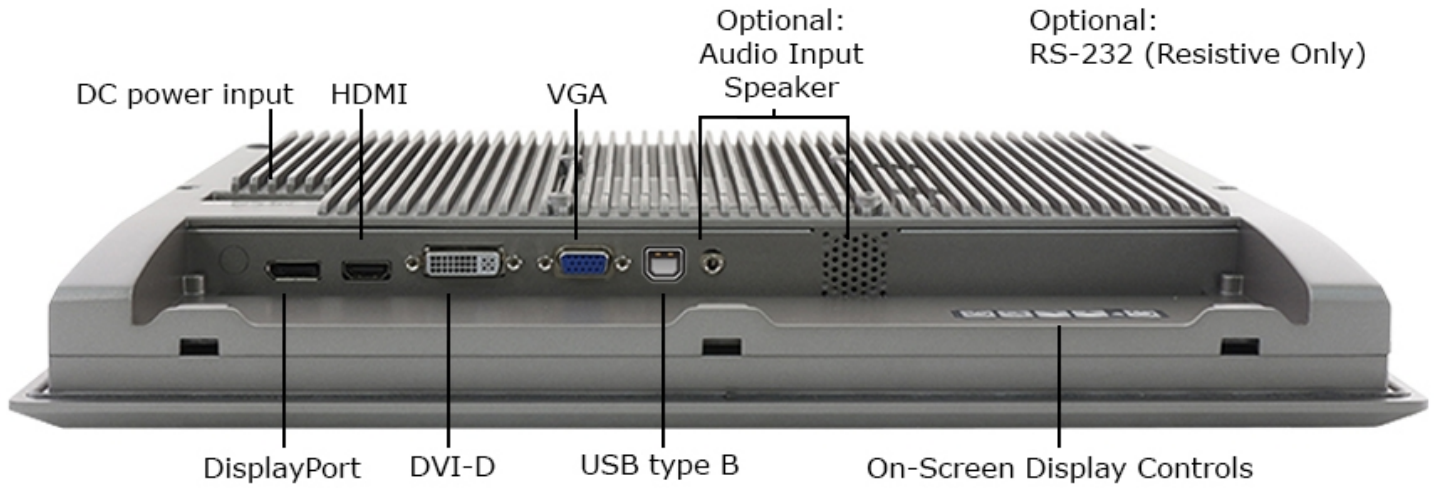
EUROPE

Teguar Europe AG
Churerstrasse 54, CH-8808
Pfäffikon, Switzerland
+41 41 561 53 11
sales.EU@teguar.com

ASIA

Teguar Taiwan Ltd.
Rm. A, 28F-12., No.99, Sec. 1, Xintai 5th Rd.,
Xizhi Dist., New Taipei City 221, Taiwan (R.O.C.)
+886 2 7751 5319
sales@teguar.com.tw

I/O Diagram Images



USA

Teguar
2920 Whitehall Park Drive
Charlotte, NC 28273
+1 866-693-3105
sales@teguar.com

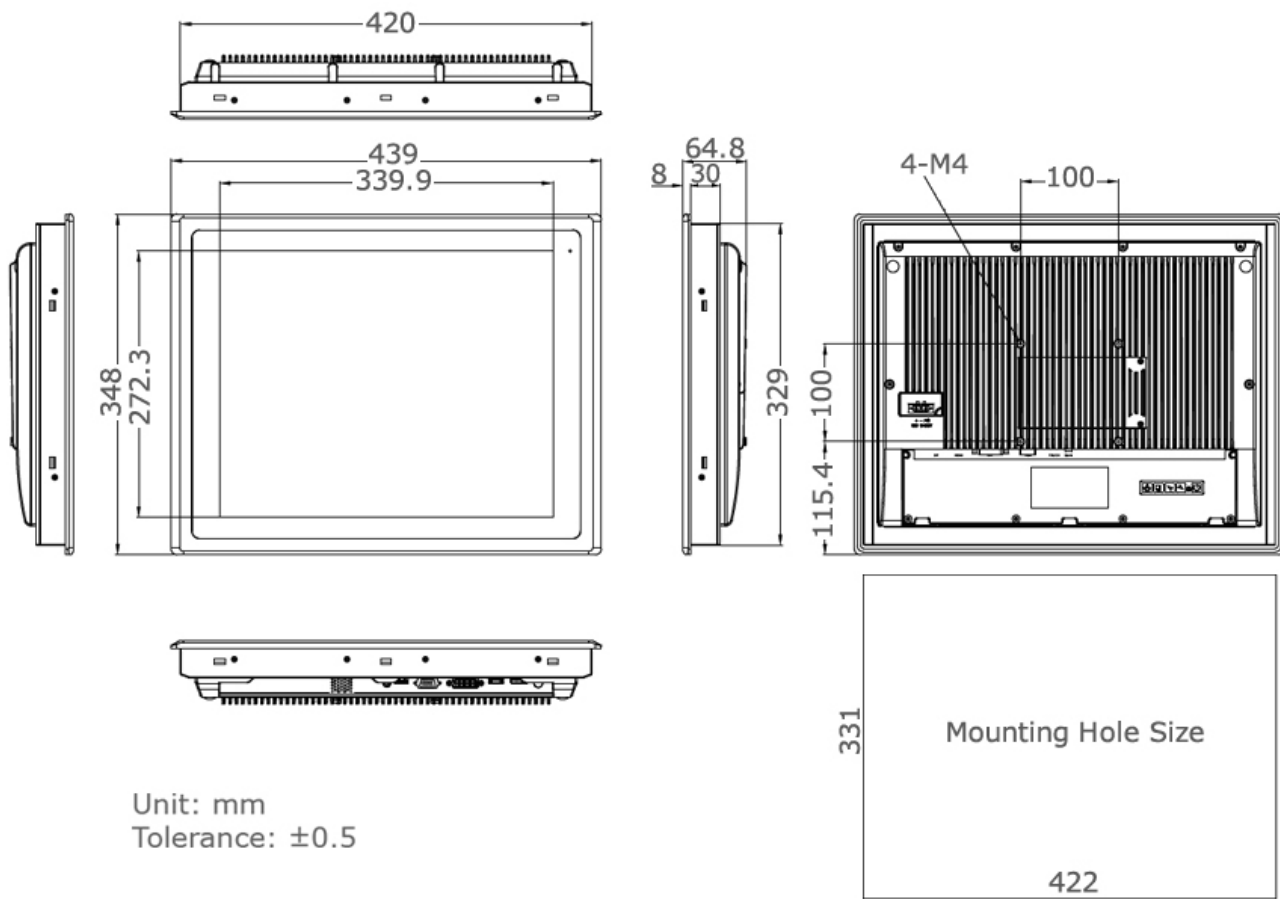
EUROPE

Teguar Europe AG
Churerstrasse 54, CH-8808
Pfäffikon, Switzerland
+41 41 561 53 11
sales.EU@teguar.com

ASIA

Teguar Taiwan Ltd.
Rm. A, 28F-12., No.99, Sec. 1, Xintai 5th Rd.,
Xizhi Dist., New Taipei City 221, Taiwan (R.O.C.)
+886 2 7751 5319
sales@teguar.com.tw

Tech Diagram Images



USA

Teguar
2920 Whitehall Park Drive
Charlotte, NC 28273
+1 866-693-3105
sales@teguar.com

EUROPE

Teguar Europe AG
Churerstrasse 54, CH-8808
Pfäffikon, Switzerland
+41 41 561 53 11
sales.EU@teguar.com

ASIA

Teguar Taiwan Ltd.
Rm. A, 28F-12., No.99, Sec. 1, Xintai 5th Rd.,
Xizhi Dist., New Taipei City 221, Taiwan (R.O.C.)
+886 2 7751 5319
sales@teguar.com.tw