

TD-45-19

19" Industrial Monitor



Key Highlights

- 19" LCD with 1280 x 1024 Resolution
- Aluminum Die Cast Chassis
- Optional Sunlight Readable 1000 Nit LCD
- Wide Range DC 9~36V Power Input
- Full Flat Front Panel
- Resistive or Projected Capacitive Touchscreen

[VIEW ONLINE](#)

The TD-45-19 is a touchscreen panel display made for industrial environments. This cost effective, versatile display has a die-cast aluminum enclosure and can be panel mounted into a cutout in an enclosure or it can be mounted to an arm, stand, or hung on a surface. When panel mounted, the front bezel is IP66 rated and protected from liquids and dust. The TD-45-19 provides a graphical user interface where the operator may perform tasks such as: operate a machine, view sensor data, or interact with ERP software. This touchscreen monitor can be connected to a rugged box PC or another panel PC. The same model is available in screen sizes from 7" to 21.5".

USA

Teguar
2920 Whitehall Park Drive
Charlotte, NC 28273
+1 866-693-3105
sales@teguar.com

EUROPE

Teguar Europe AG
Churerstrasse 54, CH-8808
Pfäffikon, Switzerland
+41 41 561 53 11
sales.EU@teguar.com

ASIA

Teguar Taiwan Ltd.
Rm. A, 28F-12., No.99, Sec. 1, Xintai 5th Rd.,
Xizhi Dist., New Taipei City 221, Taiwan (R.O.C.)
+886 2 7751 5319
sales@teguar.com.tw

Technical Specifications

Display

Screen Size	19
Screen Ratio	5:04
Brightness	350 nits, Optional 1000 nit High Brightness

Power

Input Voltage Range	9-36V DC
Max Power Consumption	16.8W (Resistive), 18.3W (P-Cap)
Standard Power Adapter	Optional 12V AC/DC Adapter

Enclosure

Material	Aluminum
IP Rating	IP66 Front Bezel
Color	Silver
Mounting Options	Panel Mount, VESA 100 Mount
Approved Cleaning Solutions	Alcohol, Chlorine and Compounds, Glutaraldehyde, Hydrogen Peroxide, Ortho-phthalaldehyde (OPA), Quaternary Ammonium Compounds

Certification

Certifications	CE, FCC Class A
----------------	-----------------

Specifications subject to change.

Touch Screen

Touch Screen	Projected Capacitive, Resistive
--------------	---------------------------------

External I/O Ports

Audio Ports	1x Optional Speaker with 1x Audio Input
Power Input Port	3-Pin DC-In (Phoenix Type)

Multimedia

Speakers	Optional Speaker
----------	------------------

Thermal & Environmental

Operating Temperature	-20°C - 60°C (-4°F - 140°F)
Storage Temperature	-30°C - 70°C (-22°F - 158°F)
Cooling Solution	Passive - Fanless
Storage Humidity	10% - 90% Non-condensing

Weight / Dimensions

Weight	6.2 kg (13.7 lbs)
Dimensions	468 x 380 x 64.8 mm (18.4 x 15.0 x 2.6 in)

Warranty

Warranty	Up to 5 Years
----------	---------------

USA

Teguar
2920 Whitehall Park Drive
Charlotte, NC 28273
+1 866-693-3105
sales@teguar.com

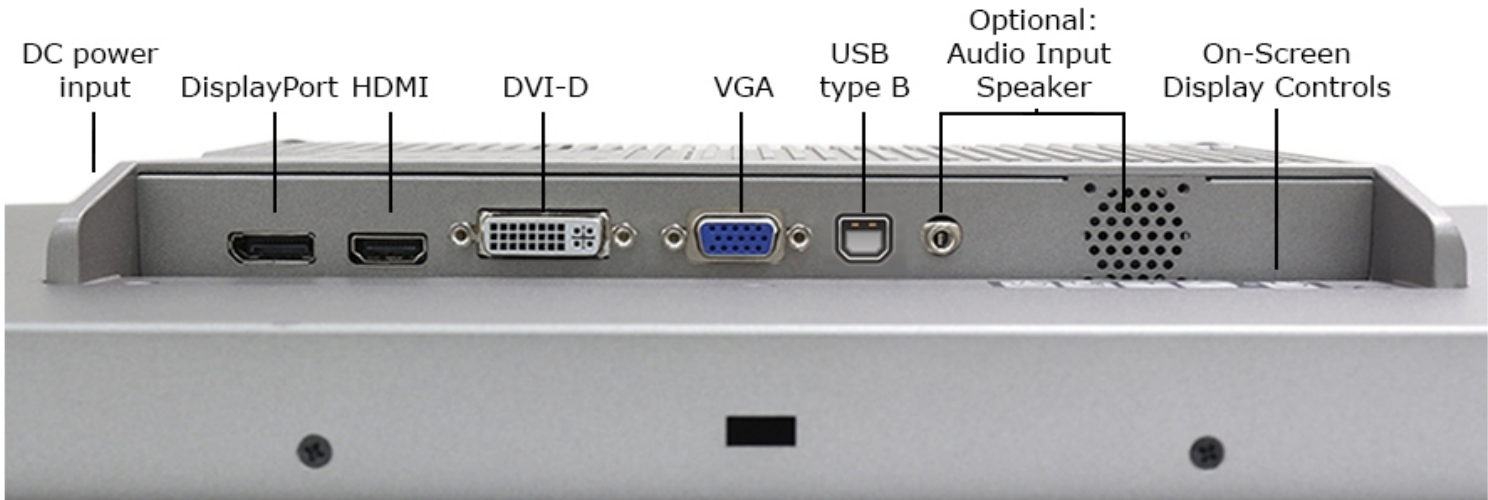
EUROPE

Teguar Europe AG
Churerstrasse 54, CH-8808
Pfäffikon, Switzerland
+41 41 561 53 11
sales.EU@teguar.com

ASIA

Teguar Taiwan Ltd.
Rm. A, 28F-12., No.99, Sec. 1, Xintai 5th Rd.,
Xizhi Dist., New Taipei City 221, Taiwan (R.O.C.)
+886 2 7751 5319
sales@teguar.com.tw

I/O Diagram Images



Optional:
RS-232 (Resistive Only)

USA

Teguar
2920 Whitehall Park Drive
Charlotte, NC 28273
+1 866-693-3105
sales@teguar.com

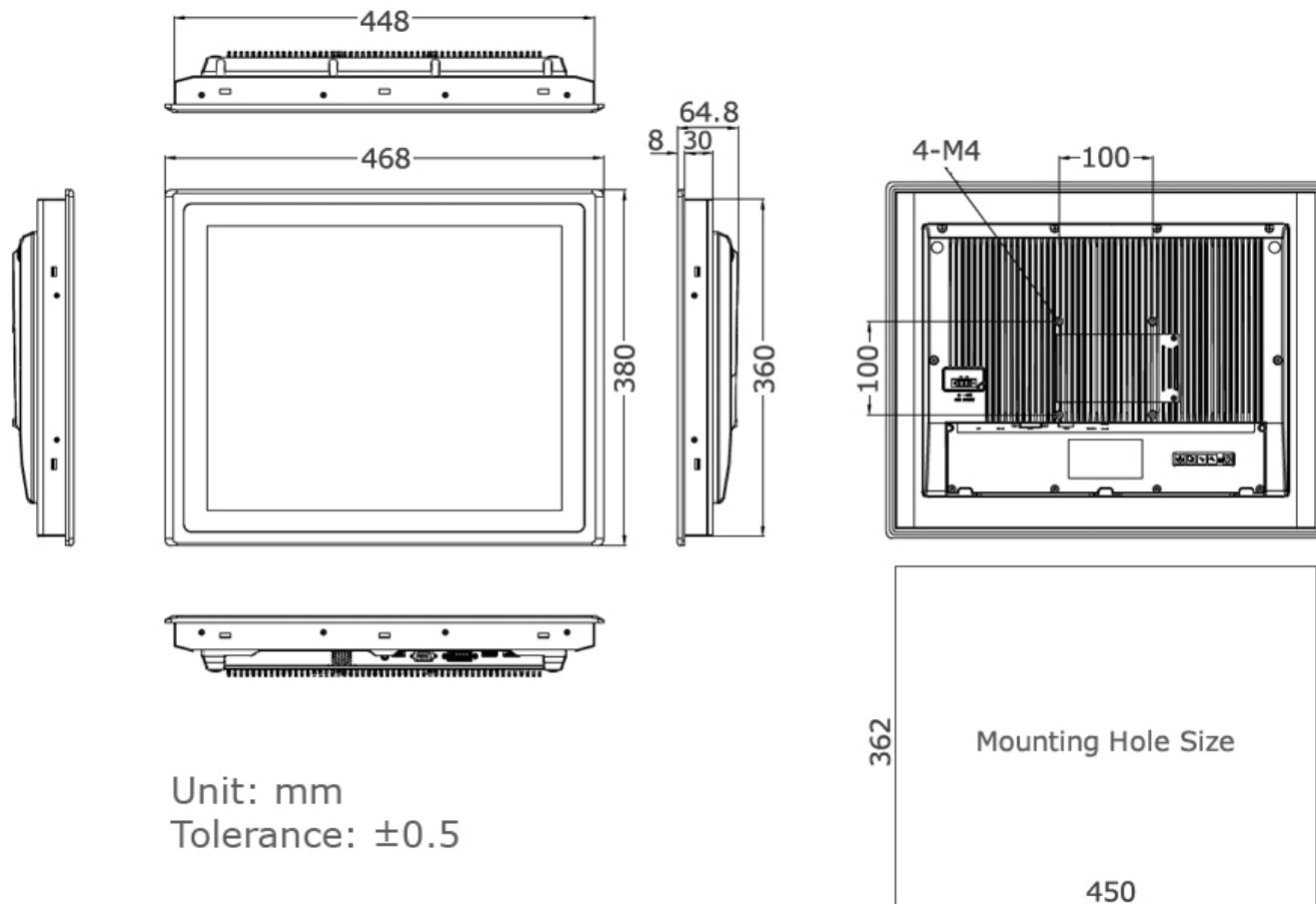
EUROPE

Teguar Europe AG
Churerstrasse 54, CH-8808
Pfäffikon, Switzerland
+41 41 561 53 11
sales.EU@teguar.com

ASIA

Teguar Taiwan Ltd.
Rm. A, 28F-12., No.99, Sec. 1, Xintai 5th Rd.,
Xizhi Dist., New Taipei City 221, Taiwan (R.O.C.)
+886 2 7751 5319
sales@teguar.com.tw

Tech Diagram Images



USA

Teguar
2920 Whitehall Park Drive
Charlotte, NC 28273
+1 866-693-3105
sales@teguar.com

EUROPE

Teguar Europe AG
Churerstrasse 54, CH-8808
Pfäffikon, Switzerland
+41 41 561 53 11
sales.EU@teguar.com

ASIA

Teguar Taiwan Ltd.
Rm. A, 28F-12., No.99, Sec. 1, Xintai 5th Rd.,
Xizhi Dist., New Taipei City 221, Taiwan (R.O.C.)
+886 2 7751 5319
sales@teguar.com.tw