

TRT-5380-12

12" Heavy Duty Tablet



Key Highlights

- 12.2" LCD Gorilla Glass Touchscreen
- Intel Jasper Lake Quad-Core CPU
- Wi-Fi, Bluetooth, GPS, and optional NFC
- USB Type C, USB Type A, RS232 COM port
- Pogo Pin Expansion for Docking stations
- Direct VESA 100 Mountable

[VIEW ONLINE](#)

The TRT-5380-12 is a fanless rugged tablet with a 12" full HD touchscreen. It features the Intel Celeron N5100 Processor and is IP65 waterproof rated, as well as complying with MIL-STD-810G to ensure it is protected from accidental drops, falls, and shocks. This tablet comes with built-in WiFi, Bluetooth, GPS, and NFC, and has the option for a 1D/2D barcode scanner. The projected capacitive touchscreen is made with anti-scratch Gorilla Glass, so you can rest easy knowing your TRT-5380-12 can be safely operated by different users without sustaining damage.

USA

Teguar
2920 Whitehall Park Drive
Charlotte, NC 28273
+1 866-693-3105
sales@teguar.com

EUROPE

Teguar Europe AG
Churerstrasse 54, CH-8808
Pfäffikon, Switzerland
+41 41 561 53 11
sales.EU@teguar.com

ASIA

Teguar Taiwan Ltd.
Rm. A, 28F-12., No.99, Sec. 1, Xintai 5th Rd.,
Xizhi Dist., New Taipei City 221, Taiwan (R.O.C.)
+886 2 7751 5319
sales@teguar.com.tw

Technical Specifications

Primary Components

Processor Family	Intel Jasper Lake Quad-Core
Processor Model	N5100
Processor Speed	1.1 GHz, Up to 2.8 GHz
Memory Type	Onboard DDR3L
Memory Support	8GB
Storage Type	Onboard eMMC Flash
Storage Support	128GB

External I/O Ports

USB	1x USB 2.0, 1x USB 3.0 type C, 2x USB 3.0
Serial / Com	2x COM
Serial Protocol Detail	1x RS-232 (2wire), 1x RS-485 (2wire)
Ethernet / LAN	1x RJ45 GbE LAN
Video Outputs	1x Mini HDMI
Audio Ports	1x 3.5mm Headphone Jack
Power Input Port	3.5mm DC-in Jack

Compatibility

Security Hardware	TPM 2.0
-------------------	---------

Multimedia

Speakers	2x 1W Speakers
Camera	Front: 5MP, Rear: 8MP
Microphone	Built-in Microphone

Enclosure

Material	Double Injection
IP Rating	IP65
Color	Black
Led Indicator Light	Charging Indicator, Power
Control Buttons	Audio Down, Audio Up, Power Button, Scanner
Programmable Function Buttons	2x Programmable Function Keys
Shock Rating	MIL-STD-810G
Drop Rating	4ft Drop Protection
Mounting Options	Forklift Mount, Vehicle Mount, VESA 100 Mount
Approved Cleaning Solutions	3M HB Quat, Acetone, Actichlor, Alcohol, Ammonium Nitrate (low concentration), Antigone, Betasept, Bleach, Caviwipes, Chloride, CIDEX, Control III Disinfectant Germicide, Dispatch Disinfectant Cleaner CLH6910I, Incidin, Isopropyl Alcohol, LpH se, MikroBac, Mikrozid, Peridox, Puregreen 24 Disinfectant, SDW 70C, Sodium Hypochlorite, SporeClear, Trigene, Viraguard, Virkon, Windex

Weight / Dimensions

Display

Screen Size	12.2"
Screen Ratio	16:10
Brightness	650 nits

Touch Screen

Touch Screen	Projected Capacitive (Multi-touch)
Hardness	> 7H
Glass Type	Gorilla Glass

Power

Input Voltage Range	19V DC
Max Power Consumption	65W
Standard Power Adapter	19V DC 3.42A 4.0mm with US AC Power Cord

Battery

Battery Type	Hot Swappable 7.4V/6300mAh Battery, Internal 7.4V/1000mAh Battery
Battery Operating Time	6hrs

Operating Systems

Windows	Windows 10 IoT, Windows 10 Pro, Windows 11 IoT, Windows 11 Pro
---------	--

Expansion Slots

Video Card Support	Intel® HD Graphics 515
SD card	1x Micro SD Slot
Other	Pogo Pin Expansion

Thermal & Environmental

Operating Temperature	-20°C - 60°C (-4°F - 140°F)
Storage Temperature	-30°C - 70°C (-22°F - 158°F)
Cooling Solution	Passive - Fanless
Humidity Range	95% Non-condensing

Peripherals & Wireless Connectivity

WiFi	802.11AC
Bluetooth	Bluetooth 5.1
GPS	yes
Mobile Network 4G LTE	Project Based
Mobile Network 5G	Project Based
Sim Card	1x Micro SIM Card Slot
Barcode Scanner	1D/2D Barcode Scanner

USA

Teguar
2920 Whitehall Park Drive
Charlotte, NC 28273
+1 866-693-3105
sales@teguar.com

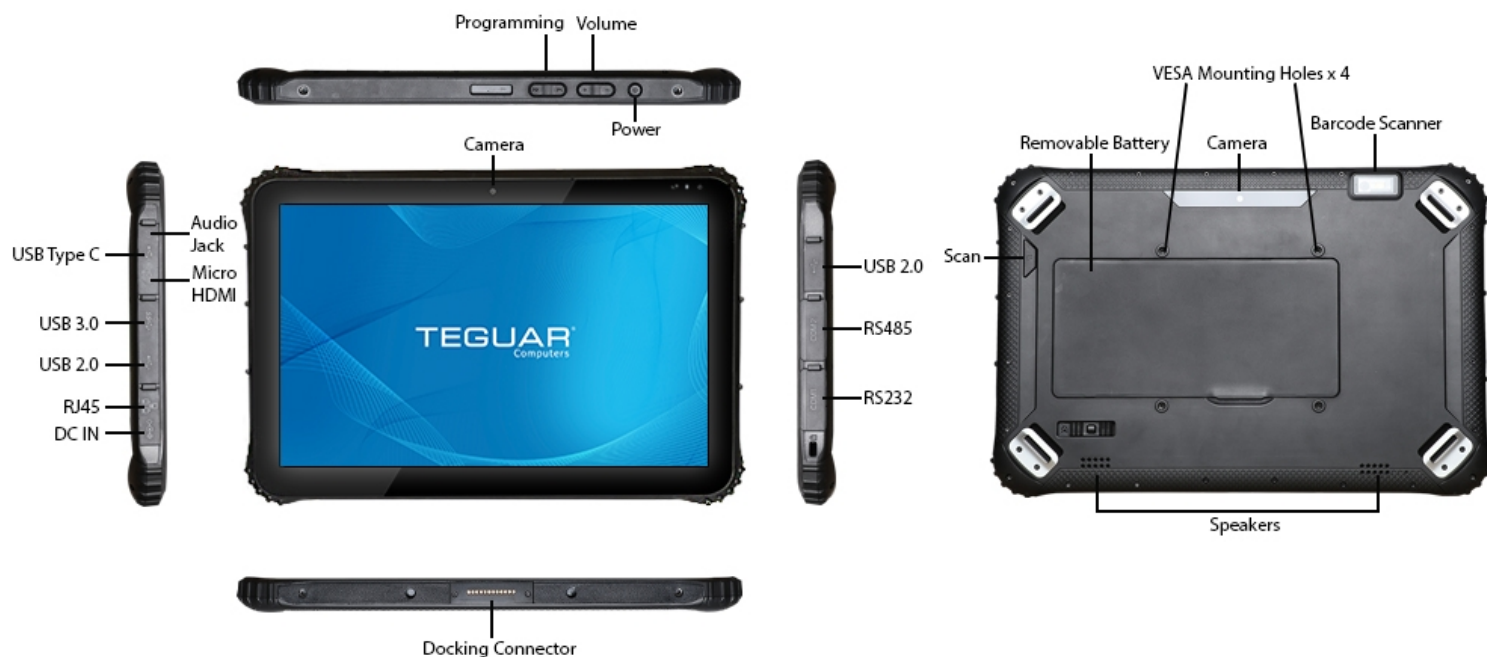
EUROPE

Teguar Europe AG
Churerstrasse 54, CH-8808
Pfäffikon, Switzerland
+41 41 561 53 11
sales.EU@teguar.com

ASIA

Teguar Taiwan Ltd.
Rm. A, 28F-12., No.99, Sec. 1, Xintai 5th Rd.,
Xizhi Dist., New Taipei City 221, Taiwan (R.O.C.)
+886 2 7751 5319
sales@teguar.com.tw

I/O Diagram Images



USA

Teguar
2920 Whitehall Park Drive
Charlotte, NC 28273
+1 866-693-3105
sales@teguar.com

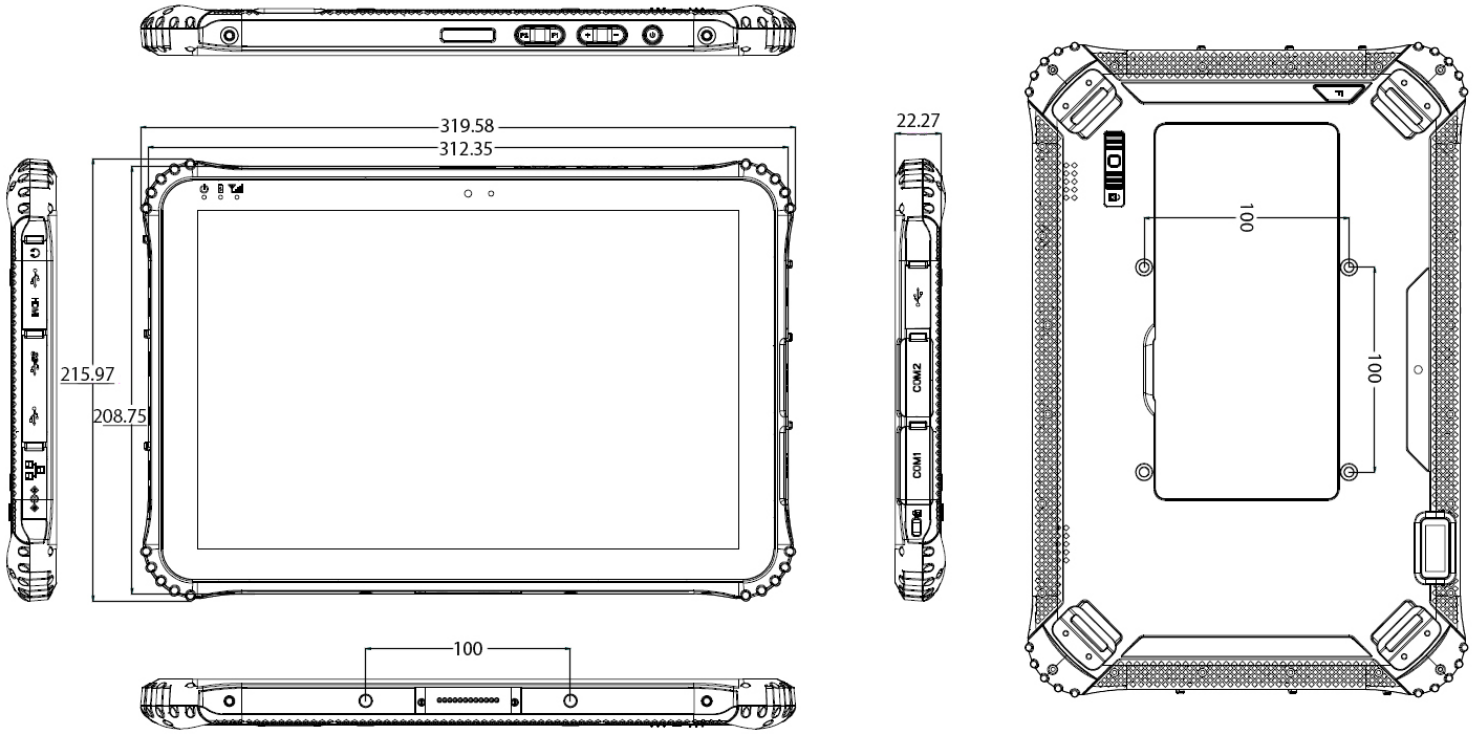
EUROPE

Teguar Europe AG
Churerstrasse 54, CH-8808
Pfäffikon, Switzerland
+41 41 561 53 11
sales.EU@teguar.com

ASIA

Teguar Taiwan Ltd.
Rm. A, 28F-12., No.99, Sec. 1, Xintai 5th Rd.,
Xizhi Dist., New Taipei City 221, Taiwan (R.O.C.)
+886 2 7751 5319
sales@teguar.com.tw

Tech Diagram Images



USA

Teguar
2920 Whitehall Park Drive
Charlotte, NC 28273
+1 866-693-3105
sales@teguar.com

EUROPE

Teguar Europe AG
Churerstrasse 54, CH-8808
Pfäffikon, Switzerland
+41 41 561 53 11
sales.EU@teguar.com

ASIA

Teguar Taiwan Ltd.
Rm. A, 28F-12., No.99, Sec. 1, Xintai 5th Rd.,
Xizhi Dist., New Taipei City 221, Taiwan (R.O.C.)
+886 2 7751 5319
sales@teguar.com.tw