

TM-5957-22i

22" Fanless AIO PC



Key Highlights

- Intel 11th Gen Tiger Lake Core i5/i7 CPU
- Windows 11 Available Upon Request
- Fanless cooling system makes for a dustproof chassis
- Lightweight, Ultra-thin Design w/ white housing (black available at quantity)
- High-Speed NVMe SSD Storage
- Convenient & easily-accessible USB port on side
- WiFi 6 Enabled
- [Need customization? Click here for OEM services.](#)

[VIEW ONLINE](#)

The TM-5957-22i features a powerful 11th generation Intel Core Tiger Lake i5/i7 processor capable of running Windows 11. Measuring at 44 mm in width and weighing only 11 pounds, this fanless all-in-one is the lightest industrial computer in its class. The lightweight and sleek design makes it ideal for applications where aesthetics matter, but make no mistake: The construction is rugged, and being fanless means that dusty and debris-filled environments are no problem. The front is IP65 rated, so this PC can withstand spills, sprays and repeated wipe downs with cleaning chemicals. Because of the fanless cooling system, this PC has quiet operation and prevents the spread of dust and germs. For easy integration with other devices, the TM-5957-22i comes standard fully packed with WiFi 6, BT 5.2, a front camera, and even isolated I/Os. Operators can even mount this device on a mobile workstation thanks to the optional 2-hour battery pack, which allows for swapping batteries without having to power down the computer or use a heavy battery-powered cart.

USA

Teguar
2920 Whitehall Park Drive
Charlotte, NC 28273
+1 866-693-3105
sales@teguar.com

EUROPE

Teguar Europe AG
Churerstrasse 54, CH-8808
Pfäffikon, Switzerland
+41 41 561 53 11
sales.EU@teguar.com

ASIA

Teguar Taiwan Ltd.
Rm. A, 28F-12., No.99, Sec. 1, Xintai 5th Rd.,
Xizhi Dist., New Taipei City 221, Taiwan (R.O.C.)
+886 2 7751 5319
sales@teguar.com.tw

Technical Specifications

Primary Components

Processor Family	Intel Core I series 11th Generation Tiger Lake
Processor Model	Core i5 1145G7E
Processor Speed	Up to 2.8 GHz
Memory Type	2x DDR4 SO-DIMM
Memory Support	4GB, 8GB, 16GB, 32GB, 64GB
Storage Type	2x NVME SSD M.2 2280
Storage Support	256GB (Standard), up to 1TB (Optional)

Power

Input Voltage Range	19V DC
Standard Power Adapter	4.74 Amp AC/DC Adapter

Battery

Battery Type	Optional Internal Battery
Battery Operating Time	2hrs

Operating Systems

Windows	Windows 10 IoT, Windows 10 Pro
---------	--------------------------------

Expansion Slots

Internal M.2	1x M.2
Other	Dual RFID & Dual SmartCard

Thermal & Environmental

Operating Temperature	0°C - 40°C (32°F - 104°F)
Storage Temperature	-10°C - 55°C (14°F - 131°F)
Cooling Solution	Passive - Fanless

Peripherals & Wireless Connectivity

WiFi	Wifi 802.11 a/b/g/n/ac/ax Wifi 6
Bluetooth	Bluetooth 5.2
RFID	Optional Dual RFID (LF/HF)
Peripheral Other	Reading Lights, Camera Privacy Latch

Certification

Certifications	60601-1 4th Edition, EN 55011:2016+A2:2021 (RF), FCC Class B, IEC 61000-3-2 (EMC), IEC 61000-3-3 (EMC), ITE 62368
----------------	---

Specifications subject to change.

Display

Screen Size	21.5
Resolution	1920 x 1080 (Full HD)
Screen Ratio	16:9
Brightness	500 nits

Touch Screen

Touch Screen	Projected Capacitive (Multi-touch)
--------------	------------------------------------

External I/O Ports

USB	4x USB 3.2, 5x USB 2.0
Serial / Com	4x COM
Serial Protocol Detail	4x RS232 (RJ48)
Ethernet / LAN	2x RJ45 GbE LAN
Video Outputs	1x HDMI
Audio Ports	1x 3.5mm Headphone Jack

Compatibility

Security Hardware	TPM 2.0
-------------------	---------

Multimedia

Speakers	2x 3W Speakers
Camera	Standard
Microphone	2x Built-in Microphones

Enclosure

Material	Plastic
IP Rating	IP65 Front Bezel
Color	Black, White
Control Buttons	Display on/off, On-Screen Display (OSD), Power Button
Mounting Options	VESA 100 Mount, VESA 75 Mount

Weight / Dimensions

Weight	5.8 kg (12.8 lbs)
Dimensions	529.8 x 346.7 x 45 mm (20.9 x 13.6 x 1.8 in)

Warranty

Warranty	Up to 5 Years
----------	---------------

USA

Teguar
2920 Whitehall Park Drive
Charlotte, NC 28273
+1 866-693-3105
sales@teguar.com

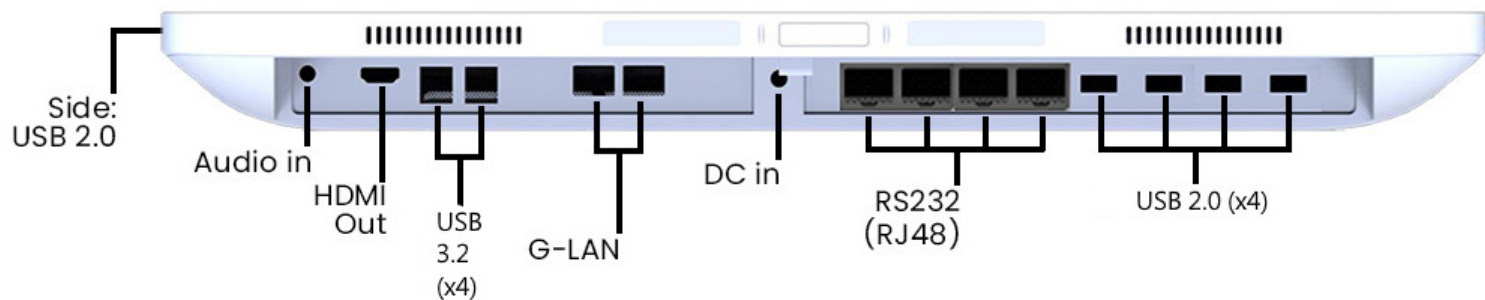
EUROPE

Teguar Europe AG
Churerstrasse 54, CH-8808
Pfäffikon, Switzerland
+41 41 561 53 11
sales.EU@teguar.com

ASIA

Teguar Taiwan Ltd.
Rm. A, 28F-12., No.99, Sec. 1, Xintai 5th Rd.,
Xizhi Dist., New Taipei City 221, Taiwan (R.O.C.)
+886 2 7751 5319
sales@teguar.com.tw

I/O Diagram Images



USA

Teguar
2920 Whitehall Park Drive
Charlotte, NC 28273
+1 866-693-3105
sales@teguar.com

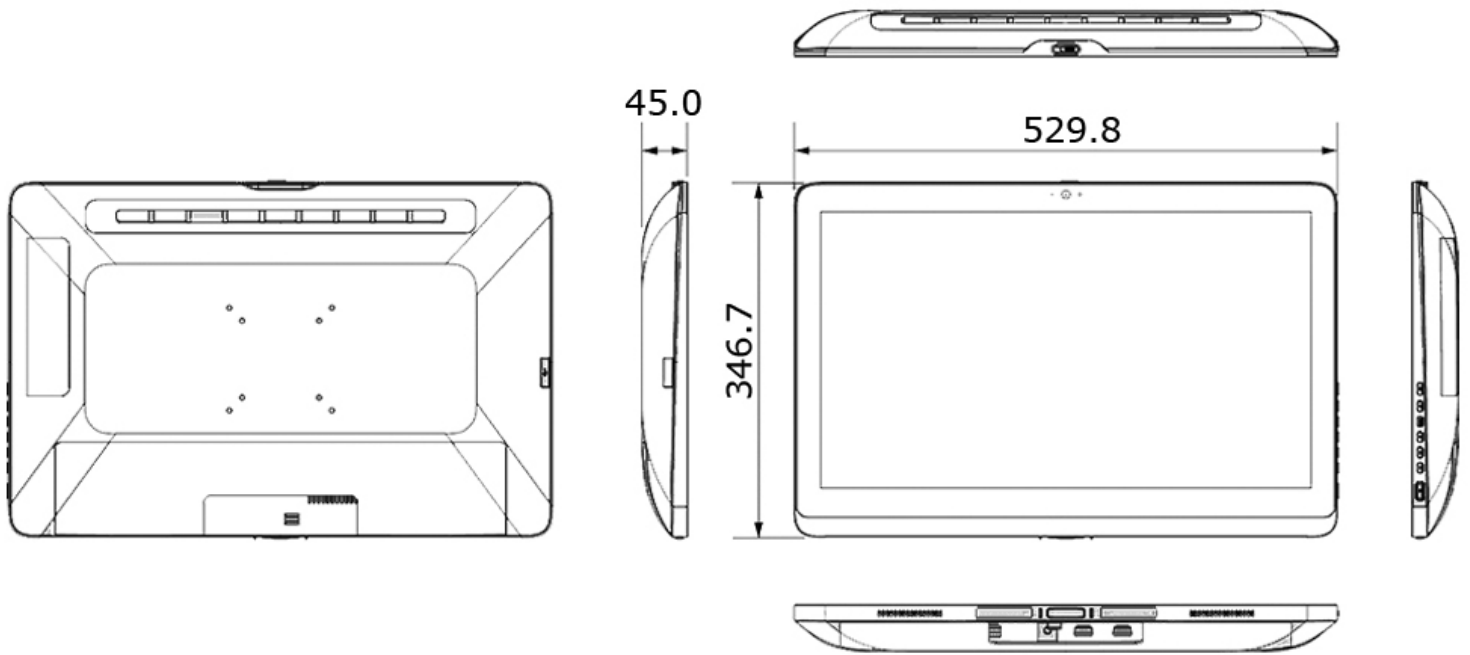
EUROPE

Teguar Europe AG
Churerstrasse 54, CH-8808
Pfäffikon, Switzerland
+41 41 561 53 11
sales.EU@teguar.com

ASIA

Teguar Taiwan Ltd.
Rm. A, 28F-12., No.99, Sec. 1, Xintai 5th Rd.,
Xizhi Dist., New Taipei City 221, Taiwan (R.O.C.)
+886 2 7751 5319
sales@teguar.com.tw

Tech Diagram Images



USA

Teguar
2920 Whitehall Park Drive
Charlotte, NC 28273
+1 866-693-3105
sales@teguar.com

EUROPE

Teguar Europe AG
Churerstrasse 54, CH-8808
Pfäffikon, Switzerland
+41 41 561 53 11
sales.EU@teguar.com

ASIA

Teguar Taiwan Ltd.
Rm. A, 28F-12., No.99, Sec. 1, Xintai 5th Rd.,
Xizhi Dist., New Taipei City 221, Taiwan (R.O.C.)
+886 2 7751 5319
sales@teguar.com.tw