

TB-4845

Industrial Mini PC



Key Highlights

- Intel Celeron J6412 Processor
- Windows 11 Compatible
- Wall or DIN rail Mounting Options
- Wide Temperature Support
- Multiple Inputs and Outputs including Dual LAN and 2x USB 3.2

[VIEW ONLINE](#)

The Industrial Mini PC redefines versatility with its wall-mount capability, offering the choice of direct wall attachment or VESA mounting options. Running on Windows 11 and powered by the robust Intel Celeron J6412, this mini PC seamlessly blends performance and efficiency. Its wide temperature support ensures reliability in diverse industrial environments. The fanless design guarantees silent operation, while the compact, low-profile build makes it an ideal fit for tight industrial spaces where space optimization is paramount. Combining innovation and adaptability, this Industrial Mini PC delivers a powerful computing solution tailored to the demands of modern industrial settings.

USA

Teguar
2920 Whitehall Park Drive
Charlotte, NC 28273
+1 866-693-3105
sales@teguar.com

EUROPE

Teguar Europe AG
Churerstrasse 54, CH-8808
Pfäffikon, Switzerland
+41 41 561 53 11
sales.EU@teguar.com

ASIA

Teguar Taiwan Ltd.
Rm. A, 28F-12., No.99, Sec. 1, Xintai 5th Rd.,
Xizhi Dist., New Taipei City 221, Taiwan (R.O.C.)
+886 2 7751 5319
sales@teguar.com.tw

Technical Specifications

Primary Components

Processor Family	Intel Celeron Elkhart Lake
Processor Model	Celeron J6412
Processor Speed	2.0 GHz
Memory Type	1x DDR4 SO-DIMM
Memory Support	4GB, 8GB, 16GB, 32GB
Storage Type	1x M.2 SATA3 2280 Slot, 1.8" Half Size MO297 SATA Drive Bay
Storage Support	M.2: 256GB-1TB, M0297: 16GB-128GB

Power

Input Voltage Range	9-36V DC
Max Power Consumption	24W
Standard Power Adapter	US AC/DC 12V DC, 5A

Expansion Slots

Internal M.2	1x M.2 2230 Key E (for WiFi expansion option)
--------------	---

Enclosure

Material	Aluminum Heatsink and Steel Chassis
Color	Black
Control Buttons	Power Button
Mounting Options	DIN Rail Mount, Wall Mount

Certification

Certifications	CE, FCC, IEC 61000-3-2 (EMC), IEC 61000-3-3 (EMC), UKCA
----------------	---

External I/O Ports

USB	2x USB 3.2
Serial / Com	1x COM
Serial Protocol Detail	RS-232/422/485 (RS-232 Default)
Ethernet / LAN	1x RJ45 2.5 GbE LAN, 1x RJ45 GbE LAN
Video Outputs	1x DisplayPort, 1x HDMI
Audio Ports	1x 3.5mm Audio Line-Out
Power Input Port	3-Pin DC-In (Phoenix Type)

Operating Systems

Windows	Windows 10 IoT, Windows 10 Pro, Windows 11 IoT, Windows 11 Pro
---------	--

Compatibility

Security Hardware	TPM 2.0
-------------------	---------

Thermal & Environmental

Operating Temperature	0°C - 50°C (32°F - 122°F), -20°C - 60°C (Optional -4°F - 140°F)
Storage Temperature	-40°C - 85°C (-40°F - 185°F)
Cooling Solution	Passive - Fanless with Heatsink
Storage Humidity	10% - 90% Non-condensing

Weight / Dimensions

Weight	1.0 kg (2.2 lbs)
Dimensions	207 x 41.5 x 130 mm (8.1 x 1.6 x 5.1 in)

Warranty

Warranty	Up to 5 Years
----------	---------------

Specifications subject to change.

USA

Teguar
2920 Whitehall Park Drive
Charlotte, NC 28273
+1 866-693-3105
sales@teguar.com

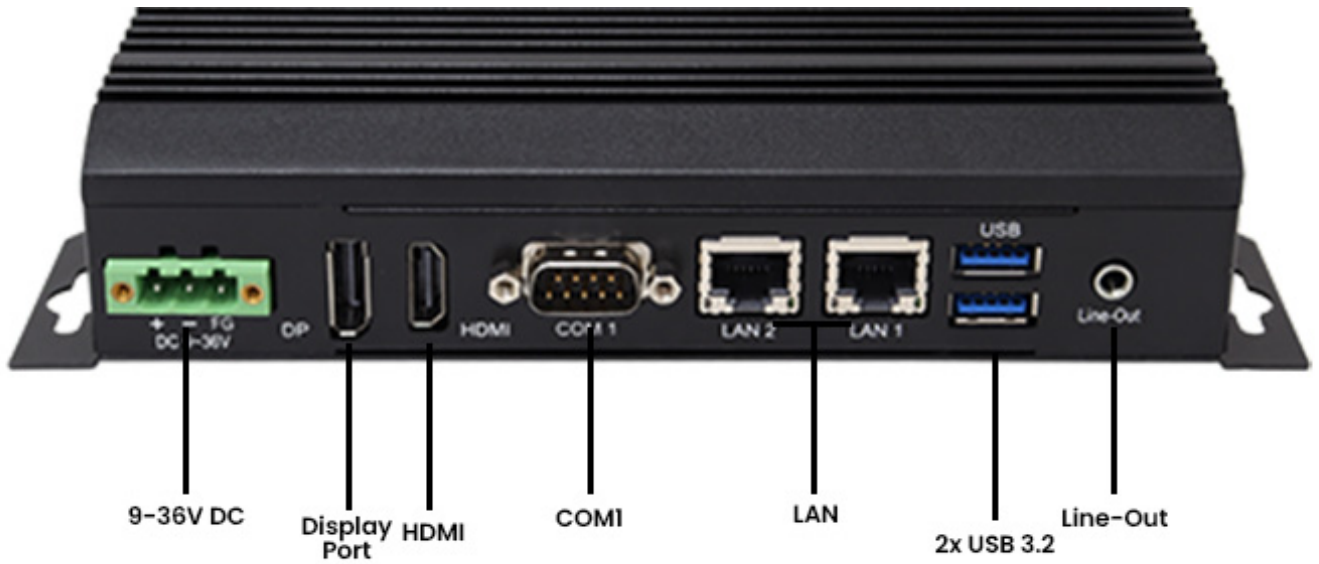
EUROPE

Teguar Europe AG
Churerstrasse 54, CH-8808
Pfäffikon, Switzerland
+41 41 561 53 11
sales.EU@teguar.com

ASIA

Teguar Taiwan Ltd.
Rm. A, 28F-12., No.99, Sec. 1, Xintai 5th Rd.,
Xizhi Dist., New Taipei City 221, Taiwan (R.O.C.)
+886 2 7751 5319
sales@teguar.com.tw

I/O Diagram Images



USA

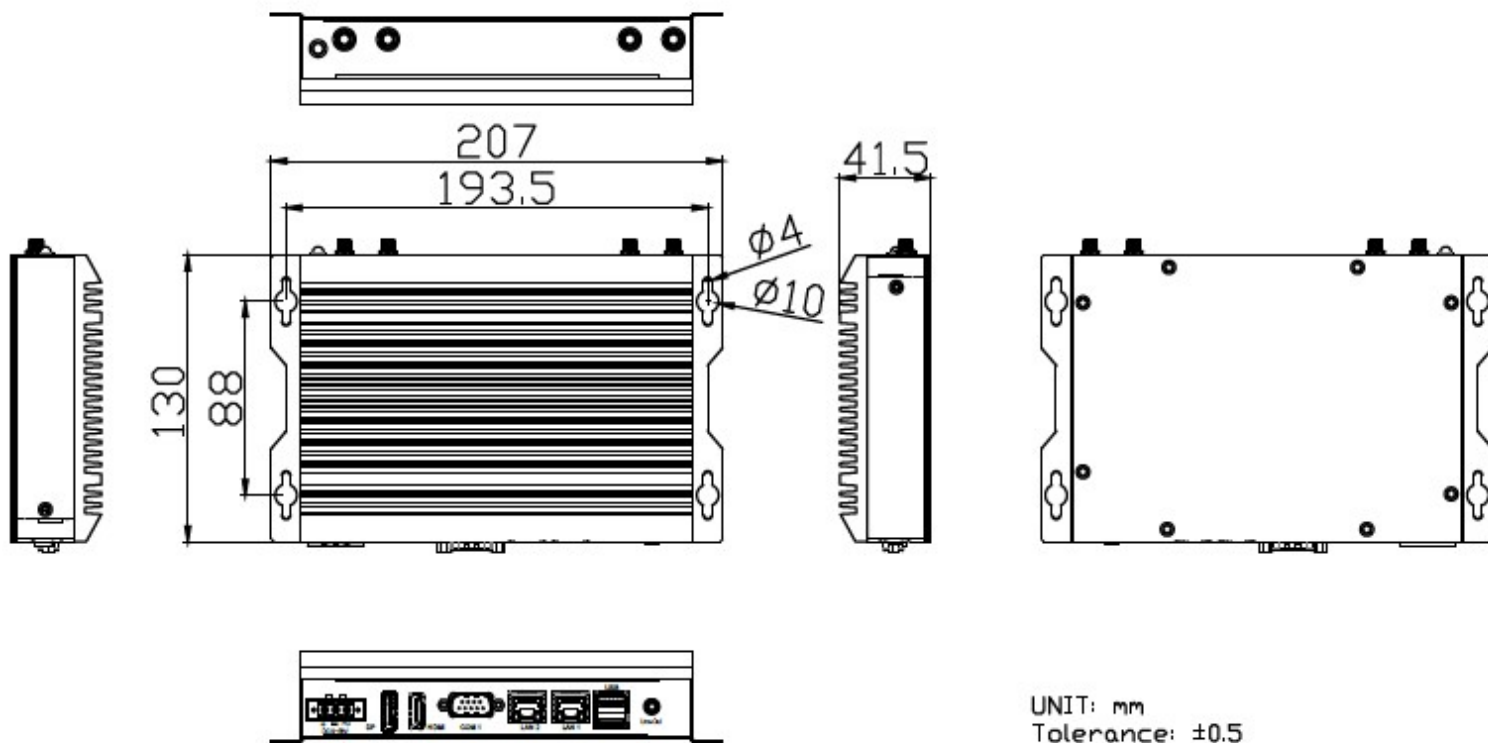
Teguar
2920 Whitehall Park Drive
Charlotte, NC 28273
+1 866-693-3105
sales@teguar.com

EUROPE

Teguar Europe AG
Churerstrasse 54, CH-8808
Pfäffikon, Switzerland
+41 41 561 53 11
sales.EU@teguar.com

ASIA

Teguar Taiwan Ltd.
Rm. A, 28F-12., No.99, Sec. 1, Xintai 5th Rd.,
Xizhi Dist., New Taipei City 221, Taiwan (R.O.C.)
+886 2 7751 5319
sales@teguar.com.tw



UNIT: mm
Tolerance: ± 0.5

USA

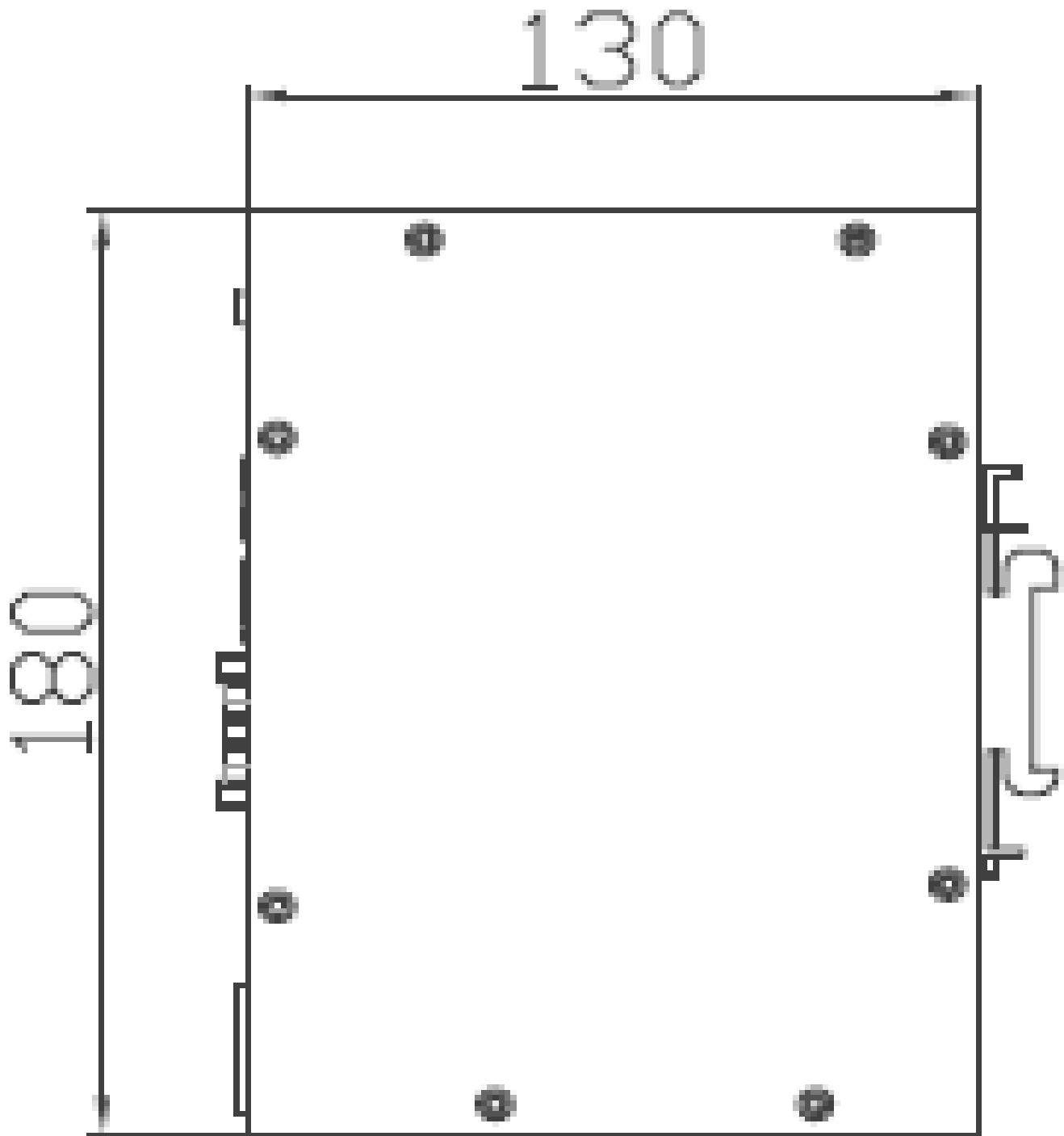
Teguar
2920 Whitehall Park Drive
Charlotte, NC 28273
+1 866-693-3105
sales@teguar.com

EUROPE

Teguar Europe AG
Churerstrasse 54, CH-8808
Pfäffikon, Switzerland
+41 41 561 53 11
sales.EU@teguar.com

ASIA

Teguar Taiwan Ltd.
Rm. A, 28F-12., No.99, Sec. 1, Xintai 5th Rd.,
Xizhi Dist., New Taipei City 221, Taiwan (R.O.C.)
+886 2 7751 5319
sales@teguar.com.tw



USA

Teguar
2920 Whitehall Park Drive
Charlotte, NC 28273
+1 866-693-3105
sales@teguar.com

EUROPE

Teguar Europe AG
Churerstrasse 54, CH-8808
Pfäffikon, Switzerland
+41 41 561 53 11
sales.EU@teguar.com

ASIA

Teguar Taiwan Ltd.
Rm. A, 28F-12., No.99, Sec. 1, Xintai 5th Rd.,
Xizhi Dist., New Taipei City 221, Taiwan (R.O.C.)
+886 2 7751 5319
sales@teguar.com.tw