



## Features

- Intel 6th Gen Core i3/i5 or Celeron CPU
- Small Form Factor Fanless Design (8.5"x 6"x 2")
- 3 LAN, 6 USB, up to 6 COM Ports
- Up to 16GB DDR4 RAM
- M.2 2242 Solid State Drive
- Integrated WiFi and Bluetooth

## Technical Specifications

### Primary Components

Processor Family	Intel Core I series 6th Generation Skylake
Processor Model	Core i3-6100U
Processor Speed	2.7 GHz
Memory Type	1x DDR4 SO-DIMM
Memory Support	4GB, 8GB, 16GB
Storage type	M.2
Storage support	32GB-512GB

### External I/O ports

USB	2x USB 2.0, 4x USB 3.0
Serial / Com	Up to 6x COM
Serial Protocol Detail	1x RS-232/422/485 DB-9(COM1), 1x RJ45 RS-232 Optional Cable Required(COM2), 1x DB44 RS-232*4(COM3-6)
Ethernet / LAN	3x RJ45 GbE LAN
Video Outputs	1x HDMI, 1x VGA
Audio	1x Mic-In

### Operating Systems

Windows	Windows 10 IoT, Windows 10 Pro
---------	--------------------------------

### Expansion Slots

Internal M.2	1x M.2 Type E
--------------	---------------

### Enclosure

Material	Aluminum
Led Indicator Light	LAN, Power
Control Buttons	Power Button, Power Reset

### Peripherals & Wireless Connectivity

WiFi	Wireless 802.11ac + Bluetooth Combo
------	-------------------------------------

### Dimensions / Weight

Weight	1.4 KG (3.1 lbs)
Dimensions	215 x 145 x 48 mm (8.5 x 5.7 x 1.9 in)

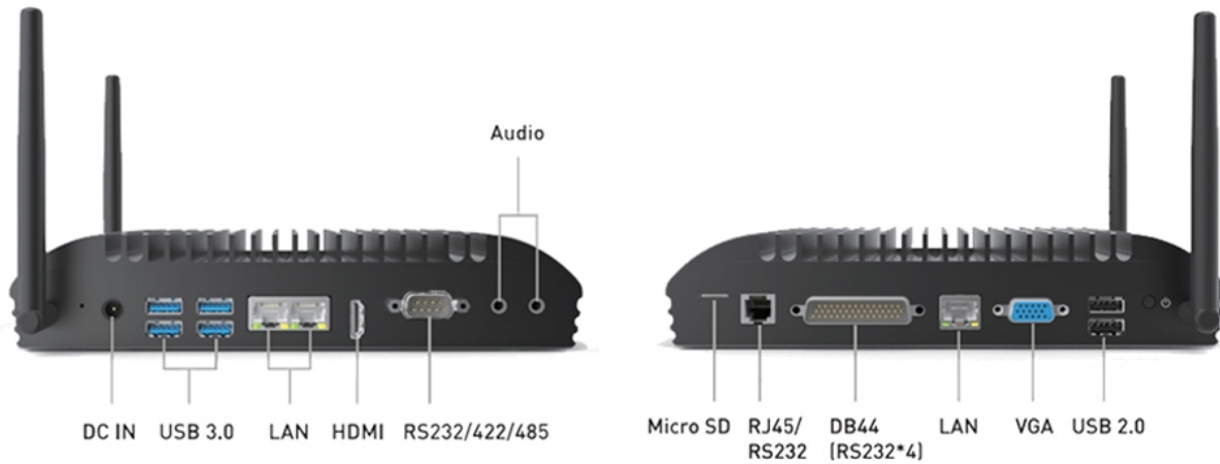
### Warranty

Warranty	1 Year
----------	--------

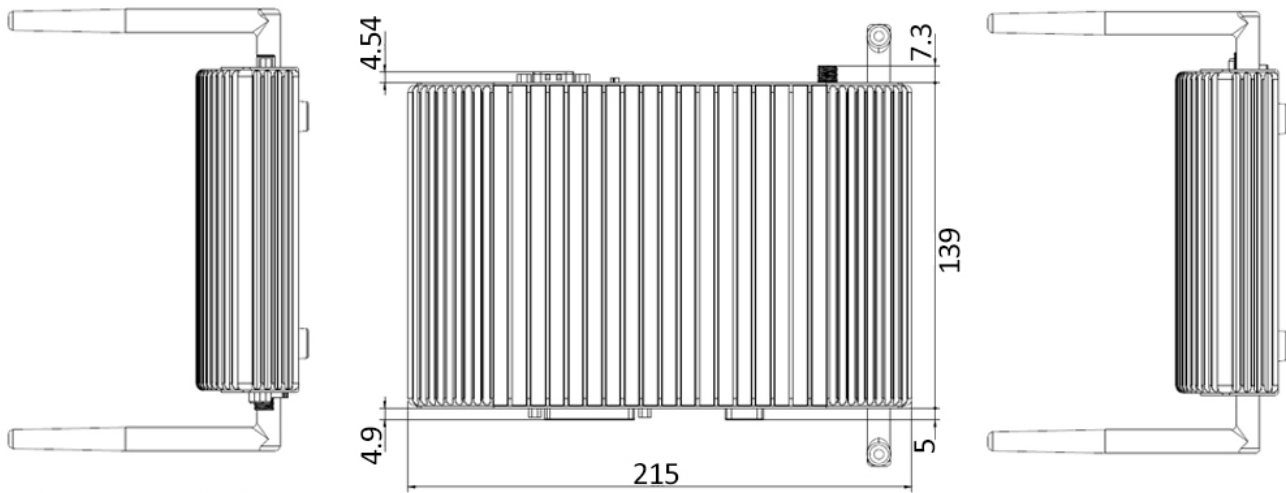
## Thermal and Environmental

Operating Temperature	Array (-4°F – 140°F)
Storage Temperature	Array (-4°F – 140°F)
Cooling Solution	Passive – Fanless with Heatsink

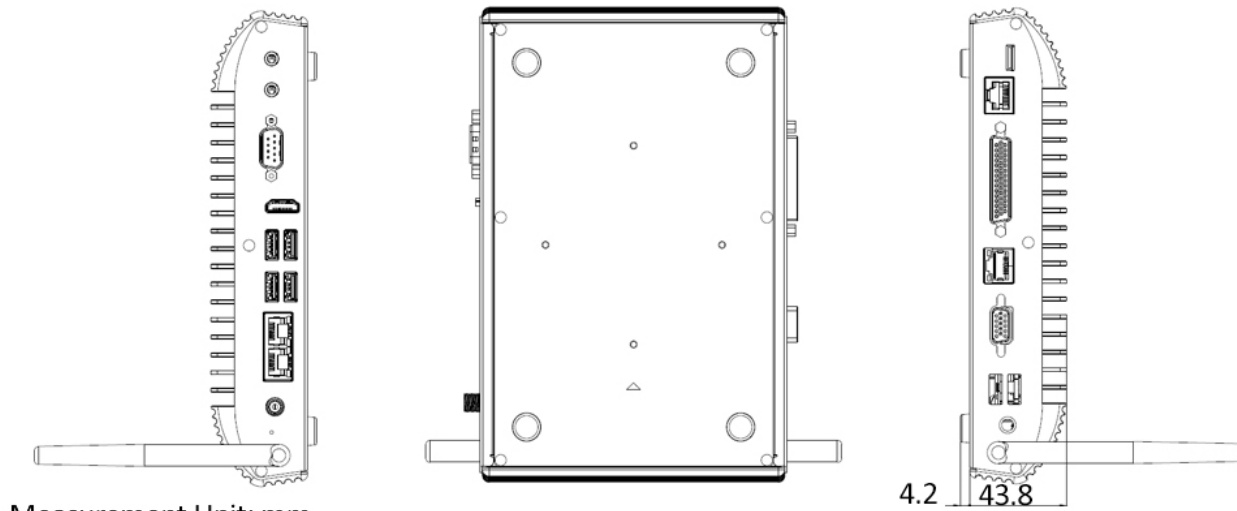
## Inputs / Outputs



Technical Drawings



Measurement Unit: mm



Measurement Unit: mm

*All specifications are subject to change without notice.*