

TB-2945

Fanless Box Computer



Key Highlights

- Intel Celeron N2930 Quad Core Processor
- Steel Chassis with Aluminum Heatsink
- Wide Operating Temperature
- Wide Range DC Power Input (9~36VDC)
- Ultra Slim, Fanless Design
- Optional 802.11 ac WiFi + Bluetooth 4.0

[VIEW ONLINE](#)

The TB-2945 fanless box PC has a powerful Intel Celeron N2930 Quad Core CPU and a rugged chassis. This box computer has a wide range 9V to 36V DC power input, and the fanless cooling system allows it to operate in a wide temperature range from 0 to 50 °C (-20 to 60°C optional). The TB-2945 has 2 Gigabit LAN, 6 USB ports, 3 COM ports, VGA, and HDMI video outputs that support dual independent displays. The ultra slim design and wall mount brackets make this box PC ideal for industrial control, manufacturing, and machine automation applications.

USA

Teguar
2920 Whitehall Park Drive
Charlotte, NC 28273
+1 866-693-3105
sales@teguar.com

EUROPE

Teguar Europe AG
Churerstrasse 54, CH-8808
Pfäffikon, Switzerland
+41 41 561 53 11
sales.EU@teguar.com

ASIA

Teguar Taiwan Ltd.
Rm. A, 28F-12., No.99, Sec. 1, Xintai 5th Rd.,
Xizhi Dist., New Taipei City 221, Taiwan (R.O.C.)
+886 2 7751 5319
sales@teguar.com.tw

Technical Specifications

Primary Components

Processor Family	Intel Celeron Bay Trail
Processor Model	N2930
Processor Speed	1.83 GHz
Memory Type	1x DDR3L SO-DIMM
Memory Support	4GB, 8GB
Storage Type	1x 2.5" SATA Drive Bay for SSD/HDD
Storage Support	32GB-1TB

Power

Input Voltage Range	9-32V DC
Max Power Consumption	19W

Enclosure

Material	Aluminum
Color	Gray
Led Indicator Light	HDD Access, Power
Control Buttons	Power Button
Mounting Options	Wall Mount
Approved Cleaning Solutions	Acetone, Alcohol, Club Soda, Hydrochloric Acid, Methyl Alcohol, Mineral Spirits, Nitric Acid, Sulfuric Acid (low concentration), Vinegar, Warm Water

Certification

Certifications	CE, FCC Class A
----------------	-----------------

Specifications subject to change.

External I/O Ports

USB	2x USB 3.0, 4x USB 2.0
Serial / Com	2x COM
Serial Protocol Detail	1x RS-232/422/485 DB-9, default RS-232(COM1), 1x RS-232 DB-9(COM2/3)
Ethernet / LAN	2x RJ45 GbE LAN
Video Outputs	1x HDMI, 1x VGA
Audio Ports	1x Audio Line-In, 1x Audio Line-Out
Power Input Port	3-Pin DC-In (Phoenix Type)

Operating Systems

Windows	Windows 10 IoT, Windows 10 Pro, Windows 7 Pro, Windows 8.1 Pro
---------	--

Thermal & Environmental

Operating Temperature	0°C - 50°C (32°F - 122°F), -20°C - 60°C (Optional -4°F - 140°F)
Storage Temperature	-30°C - 70°C (-22°F - 158°F)
Cooling Solution	Passive - Fanless with Heatsink
Storage Humidity	10% - 90% Non-condensing

Weight / Dimensions

Weight	1 kg (2.2 lbs)
Dimensions	180 x 130 x 35.5 mm (7.1 x 5.1 x 1.4 in)

Warranty

Warranty	1 Year
----------	--------

USA

Teguar
2920 Whitehall Park Drive
Charlotte, NC 28273
+1 866-693-3105
sales@teguar.com

EUROPE

Teguar Europe AG
Churerstrasse 54, CH-8808
Pfäffikon, Switzerland
+41 41 561 53 11
sales.EU@teguar.com

ASIA

Teguar Taiwan Ltd.
Rm. A, 28F-12., No.99, Sec. 1, Xintai 5th Rd.,
Xizhi Dist., New Taipei City 221, Taiwan (R.O.C.)
+886 2 7751 5319
sales@teguar.com.tw

I/O Diagram Images



USA

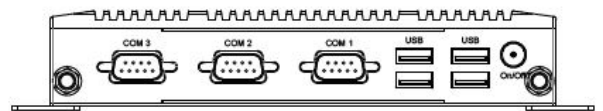
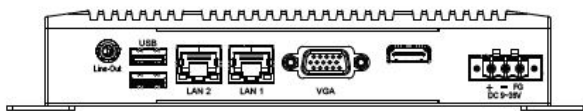
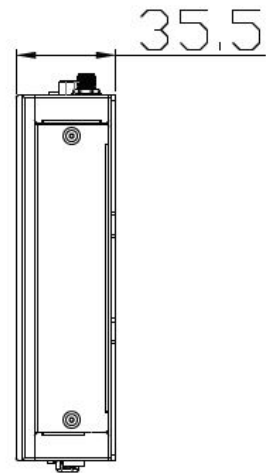
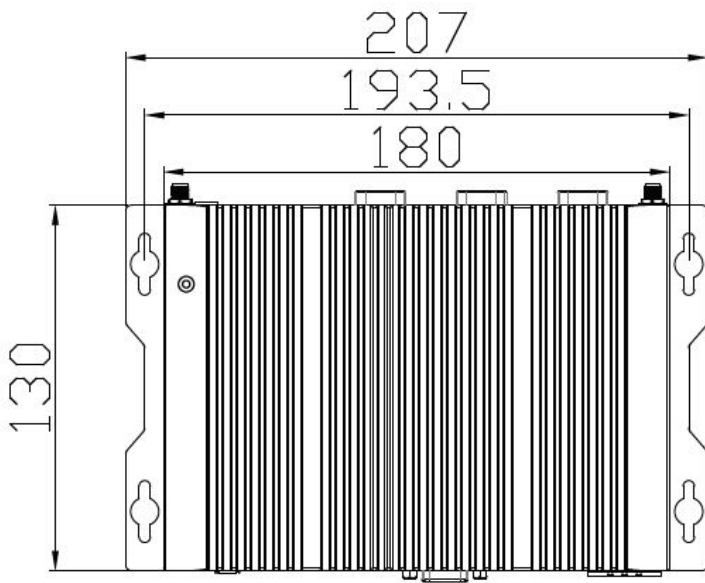
Teguar
2920 Whitehall Park Drive
Charlotte, NC 28273
+1 866-693-3105
sales@teguar.com

EUROPE

Teguar Europe AG
Churerstrasse 54, CH-8808
Pfäffikon, Switzerland
+41 41 561 53 11
sales.EU@teguar.com

ASIA

Teguar Taiwan Ltd.
Rm. A, 28F-12., No.99, Sec. 1, Xintai 5th Rd.,
Xizhi Dist., New Taipei City 221, Taiwan (R.O.C.)
+886 2 7751 5319
sales@teguar.com.tw



USA

Teguar
2920 Whitehall Park Drive
Charlotte, NC 28273
+1 866-693-3105
sales@teguar.com

EUROPE

Teguar Europe AG
Churerstrasse 54, CH-8808
Pfäffikon, Switzerland
+41 41 561 53 11
sales.EU@teguar.com

ASIA

Teguar Taiwan Ltd.
Rm. A, 28F-12., No.99, Sec. 1, Xintai 5th Rd.,
Xizhi Dist., New Taipei City 221, Taiwan (R.O.C.)
+886 2 7751 5319
sales@teguar.com.tw