

# TD-45-22

## 21.5" Industrial Monitor



### Key Highlights

- 21.5" LCD High Resolution Touchscreen
- Rugged Die Cast Aluminum Enclosure
- Optional Sunlight Readable 1000 Nit LCD
- IP66 Compliant Flat Front Panel
- Resistive or Projected Capacitive Touchscreen
- Wide Range DC 9~36V Power Input

[VIEW ONLINE](#)

The TD-45-22 is the largest [industrial touchscreen monitor](#) in this series with a 21.5" LCD display. This monitor can be panel mounted into a cutout in an enclosure or it can be mounted to an arm, stand, or hung on a surface. When panel mounted, the front bezel is IP66 rated and protected from liquids and dust. The TD-45-22 can be connected to a fanless box PC, for a rugged, long-life solution, or to another touchscreen PC, where it can operate as a cloned or extended display. The same model is available in screen sizes down to 7" to meet the needs of most applications. These industrial touchscreen monitors may be mounted into control cabinets, integrated onto an OEM machine, or used in a manufacturing environment. [Read the Product Review from RuggedPCReview >](#)

#### USA

Teguar  
2920 Whitehall Park Drive  
Charlotte, NC 28273  
+1 866-693-3105  
[sales@teguar.com](mailto:sales@teguar.com)

#### EUROPE

Teguar Europe AG  
Churerstrasse 54, CH-8808  
Pfäffikon, Switzerland  
+41 41 561 53 11  
[sales.EU@teguar.com](mailto:sales.EU@teguar.com)

#### ASIA

Teguar Taiwan Ltd.  
Rm. A, 28F-12., No.99, Sec. 1, Xintai 5th Rd.,  
Xizhi Dist., New Taipei City 221, Taiwan (R.O.C.)  
+886 2 7751 5319  
[sales@teguar.com.tw](mailto:sales@teguar.com.tw)

# Technical Specifications

Display	
Screen Size	21.5
Screen Resolution	1920 x 1080 (Full HD)
Screen Ratio	16:09
Brightness	250 nits, Optional 1000 nit High Brightness

Power	
Input Voltage Range	9-32V DC
Max Power Consumption	18.3W (Resistive), 24.9W (P-Cap)
Standard Power Adapter	Optional 12V AC/DC Adapter

Enclosure	
Material	Aluminum
IP Rating	IP66 Front Bezel, Optional IP69K
Color	Silver
Mounting Options	Panel Mount, VESA 100 Mount

Certification	
Certifications	CE, FCC Class A

Touch Screen	
Touch Screen	Projected Capacitive, Resistive

External I/O Ports	
Audio Ports	1x Optional Speaker with 1x Audio Input
Power Input Port	3-Pin DC-In (Phoenix Type)

Multimedia	
Speakers	Optional Speaker

Thermal & Environmental	
Operating Temperature	-20°C - 60°C (-4°F - 140°F)
Storage Temperature	-30°C - 70°C (-22°F - 158°F)
Cooling Solution	Passive - Fanless
Storage Humidity	10% - 90% Non-condensing

Weight / Dimensions	
Weight	7.6 kg (16.8 lbs)
Dimensions	557 x 362 x 64.8 mm (21.9 x 14.3 x 2.6 in)

Warranty	
Warranty	Up to 5 Years

Specifications subject to change.

## USA

Teguar  
2920 Whitehall Park Drive  
Charlotte, NC 28273  
+1 866-693-3105  
sales@teguar.com

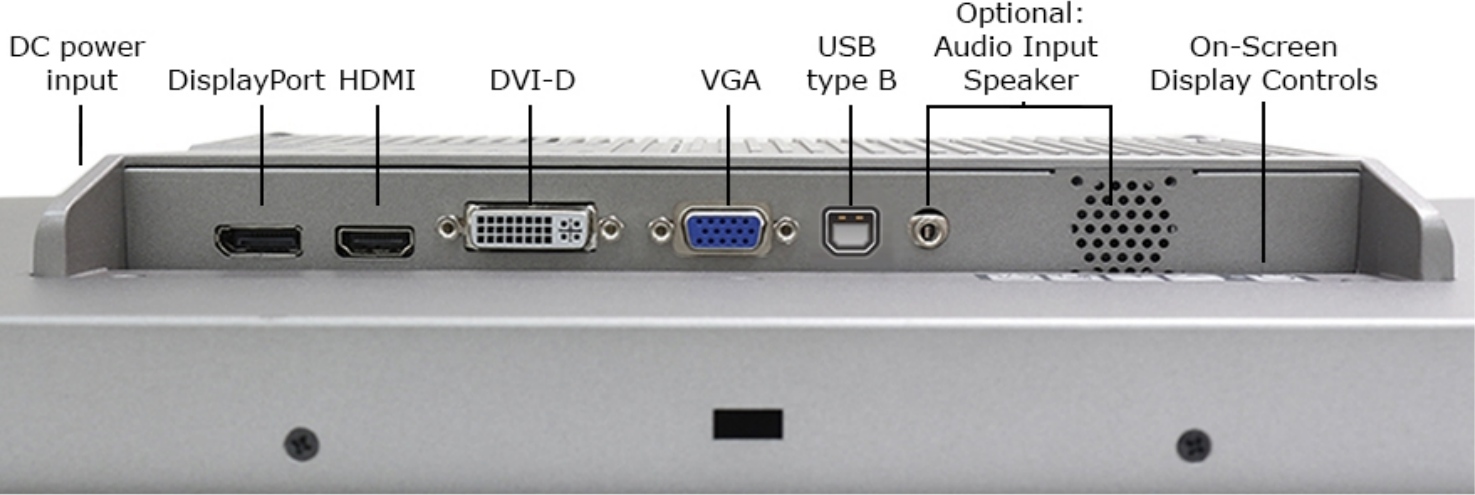
## EUROPE

Teguar Europe AG  
Churerstrasse 54, CH-8808  
Pfäffikon, Switzerland  
+41 41 561 53 11  
sales.EU@teguar.com

## ASIA

Teguar Taiwan Ltd.  
Rm. A, 28F-12., No.99, Sec. 1, Xintai 5th Rd.,  
Xizhi Dist., New Taipei City 221, Taiwan (R.O.C.)  
+886 2 7751 5319  
sales@teguar.com.tw

# I/O Diagram Images



Optional:  
RS-232 (Resistive Only)

## USA

Teguar  
2920 Whitehall Park Drive  
Charlotte, NC 28273  
+1 866-693-3105  
sales@teguar.com

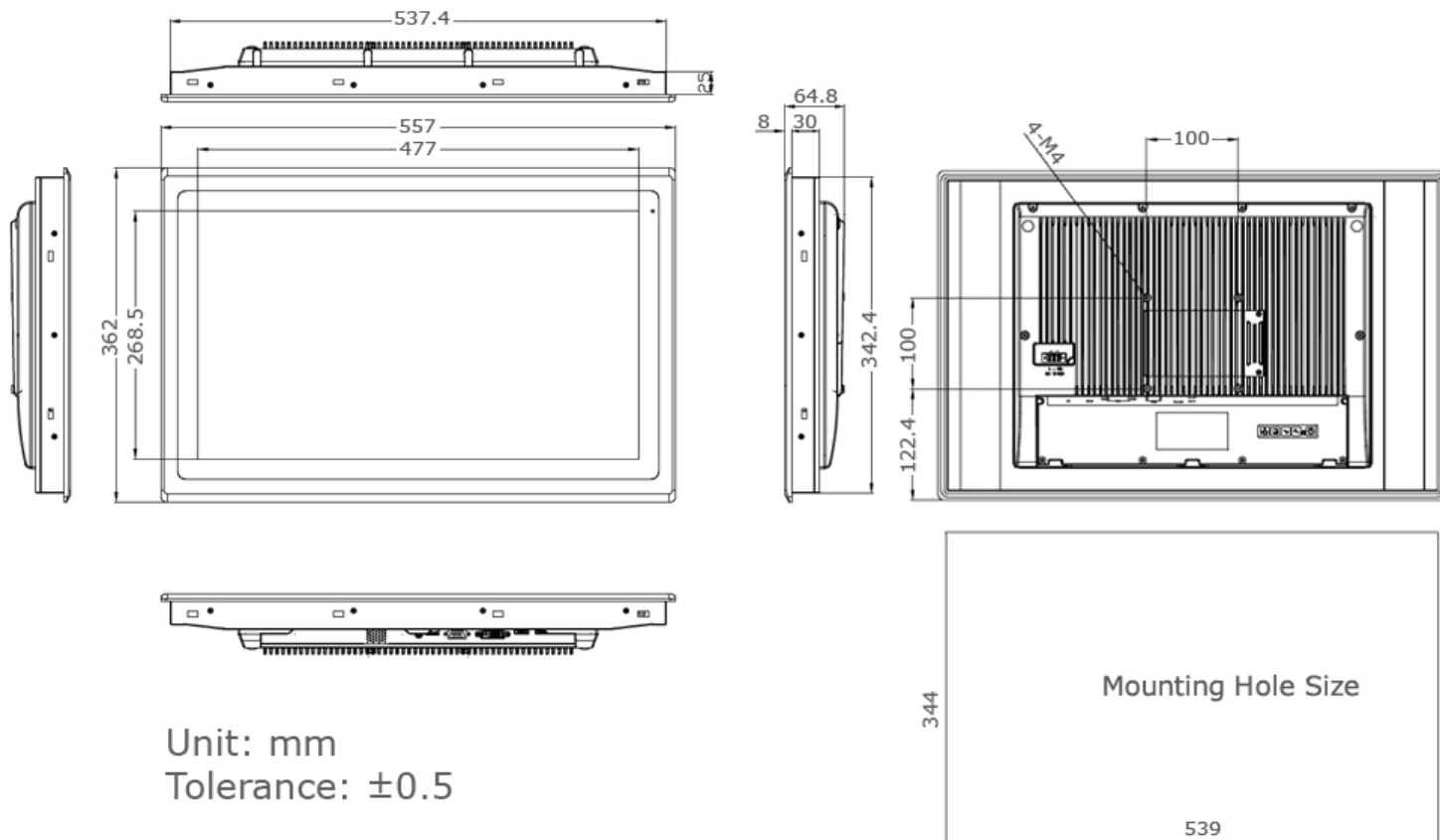
## EUROPE

Teguar Europe AG  
Churerstrasse 54, CH-8808  
Pfäffikon, Switzerland  
+41 41 561 53 11  
sales.EU@teguar.com

## ASIA

Teguar Taiwan Ltd.  
Rm. A, 28F-12., No.99, Sec. 1, Xintai 5th Rd.,  
Xizhi Dist., New Taipei City 221, Taiwan (R.O.C.)  
+886 2 7751 5319  
sales@teguar.com.tw

# Tech Diagram Images



## USA

Teguar  
2920 Whitehall Park Drive  
Charlotte, NC 28273  
+1 866-693-3105  
sales@teguar.com

## EUROPE

Teguar Europe AG  
Churerstrasse 54, CH-8808  
Pfäffikon, Switzerland  
+41 41 561 53 11  
sales.EU@teguar.com

## ASIA

Teguar Taiwan Ltd.  
Rm. A, 28F-12., No.99, Sec. 1, Xintai 5th Rd.,  
Xizhi Dist., New Taipei City 221, Taiwan (R.O.C.)  
+886 2 7751 5319  
sales@teguar.com.tw