

TM-5010-22

22" Healthcare Computer



Key Highlights

- 21.5" P-Cap Full HD Touch Screen
- 6th Gen Intel Core i3/i5/i7 CPU
- Optional Built-In Battery Pack
- 60601-1 4th Edition Certified
- Supports Intel vPro Hardware Security
- PCI-E Expansion and 4KV Isolation Port Options

[VIEW ONLINE](#)

The TM-5010-22 fanless healthcare computer is the best in class of 22" medical computers. All recent medical grade computer requirements are met or superseded to meet new medical technology requirements with EMC 4.0 /and Safety 3.1 certification readiness. The high-performance CPU along with graphics capabilities, COM ports, multiple USB slots, and expansion functions make this healthcare computer ideally situated for the operating room or in critical care situations. The TM-5010-22 healthcare computer supports Intel vPro with options for TPM v2.0 for hardware security. An optional back-up battery pack and 4KV isolation give further versatility for applications in no-fail situations. The ten front function buttons are full flat flush and easily cleaned in the anti-bacterial housing.

USA

Teguar
2920 Whitehall Park Drive
Charlotte, NC 28273
+1 866-693-3105
sales@teguar.com

EUROPE

Teguar Europe AG
Churerstrasse 54, CH-8808
Pfäffikon, Switzerland
+41 41 561 53 11
sales.EU@teguar.com

ASIA

Teguar Taiwan Ltd.
Rm. A, 28F-12., No.99, Sec. 1, Xintai 5th Rd.,
Xizhi Dist., New Taipei City 221, Taiwan (R.O.C.)
+886 2 7751 5319
sales@teguar.com.tw

Technical Specifications

Primary Components

Processor Family	Intel Core I series 6th Generation Skylake
Processor Model	Core i5-6200
Processor Speed	2.3 GHz
Memory Type	2x DDR4 SO-DIMM
Memory Support	4GB, 8GB, 16GB, 32GB
Storage Type	1x 2.5" SATA Drive Bay for SSD/HDD, mSATA
Storage Support	32GB-1TB

External I/O Ports

USB	4x USB 3.0
Serial / Com	2x COM
Serial Protocol Detail	1x RS-232, 1x RS-232/422/485 (RS485 supports auto flow control)
Ethernet / LAN	2x RJ45 GbE LAN
Video Outputs	2x DisplayPort
Other Ports	4KV Isolation Option is 2x ISO COM, 1x ISO LAN, 1x ISO USB 2.0
Audio Ports	1x 3.5mm Microphone Jack, 1x Audio Line-Out

Compatibility

Security Hardware	Supports Intel Vpro
-------------------	---------------------

Multimedia

Speakers	2x 1.5W Speakers
Camera	Optional 3MP Webcam
Microphone	Optional Microphone built-in to I/O cover

Enclosure

Material	Plastic
IP Rating	IP65 Front Bezel
Color	White
Led Indicator Light	Battery, HDD Access, Power
Control Buttons	Audio Down, Audio Up, Brightness Down, Brightness Up, Clean me, Display on/off, Power Button
Shock Rating	Operating: 15g/0.53 oz, 11 ms, half sine wave
Drop Rating	3ft Drop Protection
Mounting Options	Desktop Stand, VESA Mount, Wall Mount

Certification

Certifications	CE, Energy Star 6.1 Compliance, FCC Class B, IEC 62133, VCCI
----------------	--

Display

Screen Size	21.5
Screen Resolution	1920 x 1080 (Full HD)
Screen Ratio	16:9
Brightness	250 nits

Touch Screen

Touch Screen	Projected Capacitive (Multi-touch)
Hardness	7H

Power

Max Power Consumption	80W
Standard Power Adapter	AC 90V-264V / 47-63 Hz

Battery

Battery Type	Optional Internal Battery
Battery Operating Time	10min

Operating Systems

Windows	Windows 10 IoT, Windows 7 Pro
---------	-------------------------------

Expansion Slots

Internal M.2	1x M.2 Type E
Video Card Support	Intel Integrated HD Graphics 520

Thermal & Environmental

Operating Temperature	0°C - 35°C (32°F - 95°F)
Storage Temperature	-20°C - 60°C (-4°F - 140°F)
Cooling Solution	Passive - Fanless
Humidity Range	10% - 90% Non-condensing
Storage Humidity	10% - 90% Non-condensing

Peripherals & Wireless Connectivity

WiFi	Optional 802.11 ac/a/b/g/n WLAN + Bluetooth 4.1 module (M.2)
RFID	Optional RFID reader (13.56Hz) (5V USB)
Peripheral Other	Reading light

Weight / Dimensions

Weight	7 kg (15.4 lbs)
Dimensions	540 x 375 x 78 mm (21.3 x 14.8 x 3.1 in)

Warranty

Warranty	Up to 5 Years
----------	---------------

USA

Teguar
2920 Whitehall Park Drive
Charlotte, NC 28273
+1 866-693-3105
sales@teguar.com

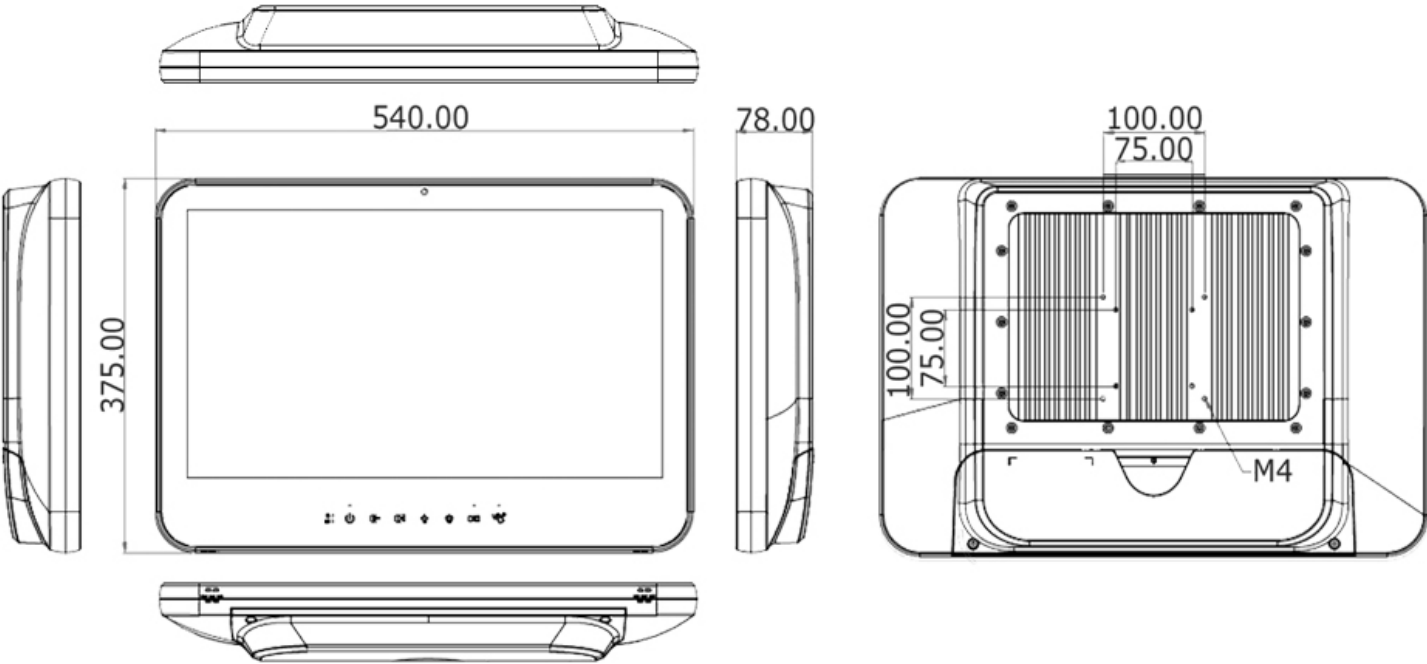
EUROPE

Teguar Europe AG
Churerstrasse 54, CH-8808
Pfäffikon, Switzerland
+41 41 561 53 11
sales.EU@teguar.com

ASIA

Teguar Taiwan Ltd.
Rm. A, 28F-12, No.99, Sec. 1, Xintai 5th Rd.,
Xizhi Dist., New Taipei City 221, Taiwan (R.O.C.)
+886 2 7751 5319
sales@teguar.com.tw

I/O Diagram Images



USA

Teguar
2920 Whitehall Park Drive
Charlotte, NC 28273
+1 866-693-3105
sales@teguar.com

EUROPE

Teguar Europe AG
Churerstrasse 54, CH-8808
Pfäffikon, Switzerland
+41 41 561 53 11
sales.EU@teguar.com

ASIA

Teguar Taiwan Ltd.
Rm. A, 28F-12., No.99, Sec. 1, Xintai 5th Rd.,
Xizhi Dist., New Taipei City 221, Taiwan (R.O.C.)
+886 2 7751 5319
sales@teguar.com.tw

Tech Diagram Images



USA

Teguar
2920 Whitehall Park Drive
Charlotte, NC 28273
+1 866-693-3105
sales@teguar.com

EUROPE

Teguar Europe AG
Churerstrasse 54, CH-8808
Pfäffikon, Switzerland
+41 41 561 53 11
sales.EU@teguar.com

ASIA

Teguar Taiwan Ltd.
Rm. A, 28F-12., No.99, Sec. 1, Xintai 5th Rd.,
Xizhi Dist., New Taipei City 221, Taiwan (R.O.C.)
+886 2 7751 5319
sales@teguar.com.tw