

TM-5010-17F

17" Medical Computer



Key Highlights

- 17" Resistive Touch Screen with 5:4 Screen Ratio
- Intel Skylake Core i3/i5/i7 & Pentium CPU
- PCI-E Expansion Slot
- Optional 4KV LAN/COM/USB Isolated I/O
- Supports Intel vPro Hardware Security & TPM v2.0
- 60601-1 4th Edition Certified

[VIEW ONLINE](#)

The TM-5010-17F medical computer has taken every consideration into account for seamless digital care. This medical PC is 60601-1 4th edition certified and it's easy to clean anti-bacteria front bezel is IP65 rated. The TM-5010-17F has the highest level of medical safety protection with a low-noise smart fan. Equipped with a high performance 6th Gen Intel Core i3/i5/i7 processor, this PC has a socket type 35W CPU allowing it to deliver fast graphics and keep up with demanding medical software. Intel integrated HD graphics and a wide range of customizable options allow for the optimal computing solution to support your medical team.

USA

Teguar
2920 Whitehall Park Drive
Charlotte, NC 28273
+1 866-693-3105
sales@teguar.com

EUROPE

Teguar Europe AG
Churerstrasse 54, CH-8808
Pfäffikon, Switzerland
+41 41 561 53 11
sales.EU@teguar.com

ASIA

Teguar Taiwan Ltd.
Rm. A, 28F-12., No.99, Sec. 1, Xintai 5th Rd.,
Xizhi Dist., New Taipei City 221, Taiwan (R.O.C.)
+886 2 7751 5319
sales@teguar.com.tw

Technical Specifications

Primary Components

Processor Family	Intel Core I series 6th Generation Skylake/i7 and Pentium
Processor Speed	2.5 GHz
Memory Type	2x DDR4 SO-DIMM
Memory Support	4GB, 8GB, 16GB, 32GB
Storage Type	1x 2.5" SATA Drive Bay for SSD/HDD
Storage Support	32GB-1TB

External I/O Ports

USB	4x USB 3.0
Serial / Com	2x COM
Serial Protocol Detail	1x RS-232, 1x RS-232/422/485
Ethernet / LAN	2x RJ45 GbE LAN
Video Outputs	1x DisplayPort, 1x DVI
Other Ports	4KV Isolation Option is 2x ISO COM, 1x ISO LAN, 1x ISO USB 2.0
Audio Ports	1x 3.5mm Microphone Jack, 1x Audio Line-Out

Compatibility

Security Hardware	Optional TPM 2.0, Optional VPro
--------------------------	---------------------------------

Multimedia

Speakers	2x 2W Speakers
Camera	Optional 3MP Webcam
Microphone	Optional Microphone built-in to I/O cover

Enclosure

Material	Plastic
IP Rating	IP65 Front Bezel
Color	White
Control Buttons	Audio Down, Audio Up, Brightness Down, Brightness Up, Power Button
Mounting Options	Desktop Stand, VESA Mount, Wall Mount

Certification

Certifications	60601-1 4th Edition, CE, FCC Class B, VCCI
-----------------------	--

Display

Screen Size	17"
Screen Resolution	1280 x 1024 (SXGA)
Screen Ratio	5:4
Brightness	350 nits

Touch Screen

Touch Screen	5 Wire Resistive
Hardness	> 3H

Power

Max Power Consumption	82.6W
Standard Power Adapter	AC 90V-240V / 47-63 Hz

Battery

Battery Type	Optional Internal Battery
---------------------	---------------------------

Operating Systems

Windows	Windows 10 IoT, Windows 10 Pro, Windows 7 Pro
----------------	---

Expansion Slots

Video Card Support	Intel Integrated HD Graphics 530
---------------------------	----------------------------------

Thermal & Environmental

Operating Temperature	0°C - 40°C (32°F - 104°F)
Storage Temperature	-20°C - 60°C (-4°F - 140°F)
Cooling Solution	Active - with Fan
Humidity Range	10% - 90% Non-condensing
Storage Humidity	10% - 90% Non-condensing

Peripherals & Wireless Connectivity

WiFi	Optional Wireless or Wireless + Bluetooth kit
-------------	---

Weight / Dimensions

Weight	7 kg (15.4 lbs)
Dimensions	420 x 360 x 83 mm (16.5 x 14.2 x 3.3 in)

Warranty

Warranty	Up to 5 Years
-----------------	---------------

Specifications subject to change.

USA

Teguar
2920 Whitehall Park Drive
Charlotte, NC 28273
+1 866-693-3105
sales@teguar.com

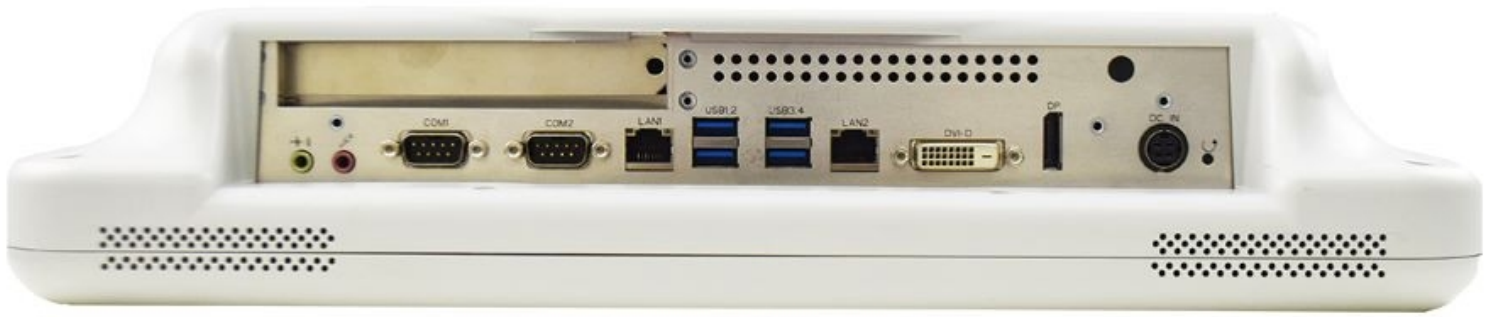
EUROPE

Teguar Europe AG
Churerstrasse 54, CH-8808
Pfäffikon, Switzerland
+41 41 561 53 11
sales.EU@teguar.com

ASIA

Teguar Taiwan Ltd.
Rm. A, 28F-12., No.99, Sec. 1, Xintai 5th Rd.,
Xizhi Dist., New Taipei City 221, Taiwan (R.O.C.)
+886 2 7751 5319
sales@teguar.com.tw

I/O Diagram Images



USA

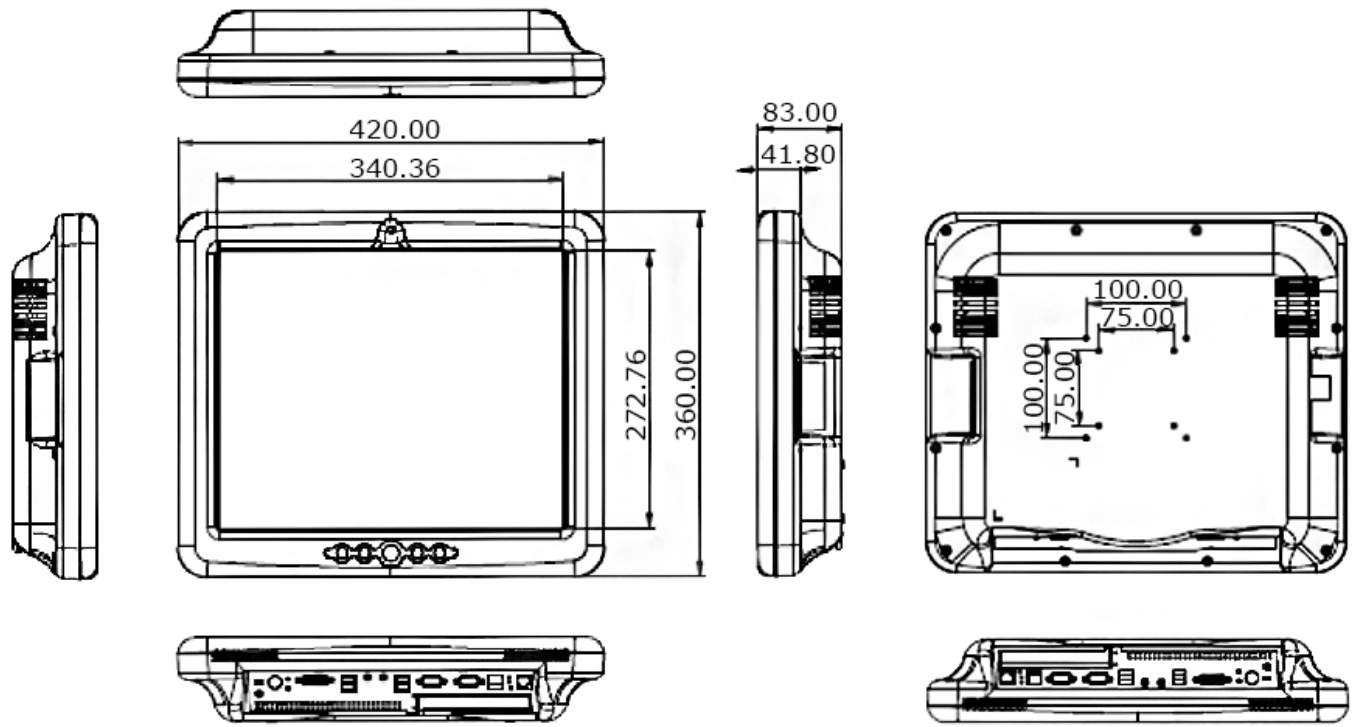
Teguar
2920 Whitehall Park Drive
Charlotte, NC 28273
+1 866-693-3105
sales@teguar.com

EUROPE

Teguar Europe AG
Churerstrasse 54, CH-8808
Pfäffikon, Switzerland
+41 41 561 53 11
sales.EU@teguar.com

ASIA

Teguar Taiwan Ltd.
Rm. A, 28F-12., No.99, Sec. 1, Xintai 5th Rd.,
Xizhi Dist., New Taipei City 221, Taiwan (R.O.C.)
+886 2 7751 5319
sales@teguar.com.tw



USA

Teguar
2920 Whitehall Park Drive
Charlotte, NC 28273
+1 866-693-3105
sales@teguar.com

EUROPE

Teguar Europe AG
Churerstrasse 54, CH-8808
Pfäffikon, Switzerland
+41 41 561 53 11
sales.EU@teguar.com

ASIA

Teguar Taiwan Ltd.
Rm. A, 28F-12., No.99, Sec. 1, Xintai 5th Rd.,
Xizhi Dist., New Taipei City 221, Taiwan (R.O.C.)
+886 2 7751 5319
sales@teguar.com.tw