

# TM-5040-18

## 18.5" Medical Computer



### Key Highlights

- 18.5" True Flat IP65 Protected Touchscreen
- Intel Skylake Celeron/i5 Dual-core CPU
- Isolated RS232, LAN and USB Available
- Anti-bacterial Aluminum Housing
- IEC 60601-1 4th Ed Certified
- TPM 2.0, Intel vPro Supported\*

[VIEW ONLINE](#)

The TM-5040-18 All-in-One PC has a large 18.5" widescreen p-cap touch display. The front of this PC is full-flush, preventing the built up of debris in corners and crevices, and IP65 rated, protecting it from spills and sprays and daily cleanings with medical-grade cleaners. Running the Skylake Celeron/i5 processor and a fanless cooling system, this unit is ready for reliable use in any medical or healthcare facility. The TM-5040-18 has anti-bacterial properties to stop the growth of germs, it is IEC 60601-1 4th edition medically certified and has isolated RS232, LAN and USB available, preventing interference with other medical equipment. \*TPM 2.0 and Intel vPro only available with Core i5

#### USA

Teguar  
2920 Whitehall Park Drive  
Charlotte, NC 28273  
+1 866-693-3105  
sales@teguar.com

#### EUROPE

Teguar Europe AG  
Churerstrasse 54, CH-8808  
Pfäffikon, Switzerland  
+41 41 561 53 11  
sales.EU@teguar.com

#### ASIA

Teguar Taiwan Ltd.  
Rm. A, 28F-12., No.99, Sec. 1, Xintai 5th Rd.,  
Xizhi Dist., New Taipei City 221, Taiwan (R.O.C.)  
+886 2 7751 5319  
sales@teguar.com.tw

# Technical Specifications

## Primary Components

<b>Processor Family</b>	Intel Celeron or Core I 6th Generation Skylake
<b>Processor Model</b>	Celeron 3955U; Core- i5-6300U
<b>Processor Speed</b>	Base 2.0 GHz
<b>Memory Type</b>	2x DDR4 SO-DIMM
<b>Memory Support</b>	4GB, 8GB, 16GB, 32GB
<b>Storage Type</b>	1x 2.5" SATA Drive Bay for SSD/HDD (easily accessible)
<b>Storage Support</b>	32GB-1TB

## Power

<b>Input Voltage Range</b>	12-48V DC
<b>Standard Power Adapter</b>	65W/19V AC/DC Adapter

## Operating Systems

<b>Windows</b>	Windows 10 IoT, Windows 10 Pro
<b>Linux</b>	Linux (Contact your sales rep for more information)

## Compatibility

<b>Security Hardware</b>	TPM 2.0, Intel vPro *Not available with Celeron
--------------------------	---

## Multimedia

<b>Speakers</b>	2x 2W Speakers
<b>Camera</b>	2MP Webcam

## Enclosure

<b>Material</b>	Aluminum
<b>IP Rating</b>	IP65 Front Bezel
<b>Color</b>	Black, White
<b>Mounting Options</b>	VESA 75 Mount

## Weight / Dimensions

<b>Weight</b>	6.8 kg (15.0 lbs)
<b>Dimensions</b>	464 x 48 x 284 mm (18.3 x 1.9 x 11.2 in)

## Display

<b>Screen Size</b>	18.5"
<b>Screen Resolution</b>	1366 x 768, Optional 1920 x 1080
<b>Screen Ratio</b>	16:9
<b>Brightness</b>	250 nits

## Touch Screen

<b>Touch Screen</b>	Projected Capacitive
---------------------	----------------------

## External I/O Ports

<b>USB</b>	4x USB 3.0
<b>Serial / Com</b>	2x COM
<b>Serial Protocol Detail</b>	RJ-48, Supports RS-232
<b>Ethernet / LAN</b>	2x RJ45 GbE LAN
<b>Video Outputs</b>	1x HDMI
<b>Other Ports</b>	Optional Isolated I/O: RS-232, RJ45 LAN, USB
<b>Audio Ports</b>	1x Audio Line-Out, 1x Mic-In

## Expansion Slots

<b>Internal M.2</b>	1x M.2 Slot half-size Type E
---------------------	------------------------------

## Thermal & Environmental

<b>Operating Temperature</b>	0°C - 40°C (32°F - 104°F)
<b>Storage Temperature</b>	-20°C - 60°C (-4°F - 140°F)
<b>Cooling Solution</b>	Passive - Fanless
<b>Humidity Range</b>	20% - 85% Non-condensing

## Peripherals & Wireless Connectivity

<b>WiFi</b>	Optional 802.11 b/g/n WLAN card and Bluetooth 4.0
-------------	---

## Certification

<b>Certifications</b>	60601-1 4th Edition, CE, FCC Class B, LVD
-----------------------	---

## Warranty

<b>Warranty</b>	Up to 5 Years
-----------------	---------------

Specifications subject to change.

### USA

Teguar  
2920 Whitehall Park Drive  
Charlotte, NC 28273  
+1 866-693-3105  
sales@teguar.com

### EUROPE

Teguar Europe AG  
Churerstrasse 54, CH-8808  
Pfäffikon, Switzerland  
+41 41 561 53 11  
sales.EU@teguar.com

### ASIA

Teguar Taiwan Ltd.  
Rm. A, 28F-12., No.99, Sec. 1, Xintai 5th Rd.,  
Xizhi Dist., New Taipei City 221, Taiwan (R.O.C.)  
+886 2 7751 5319  
sales@teguar.com.tw

# I/O Diagram Images



## USA

Teguar  
2920 Whitehall Park Drive  
Charlotte, NC 28273  
+1 866-693-3105  
sales@teguar.com

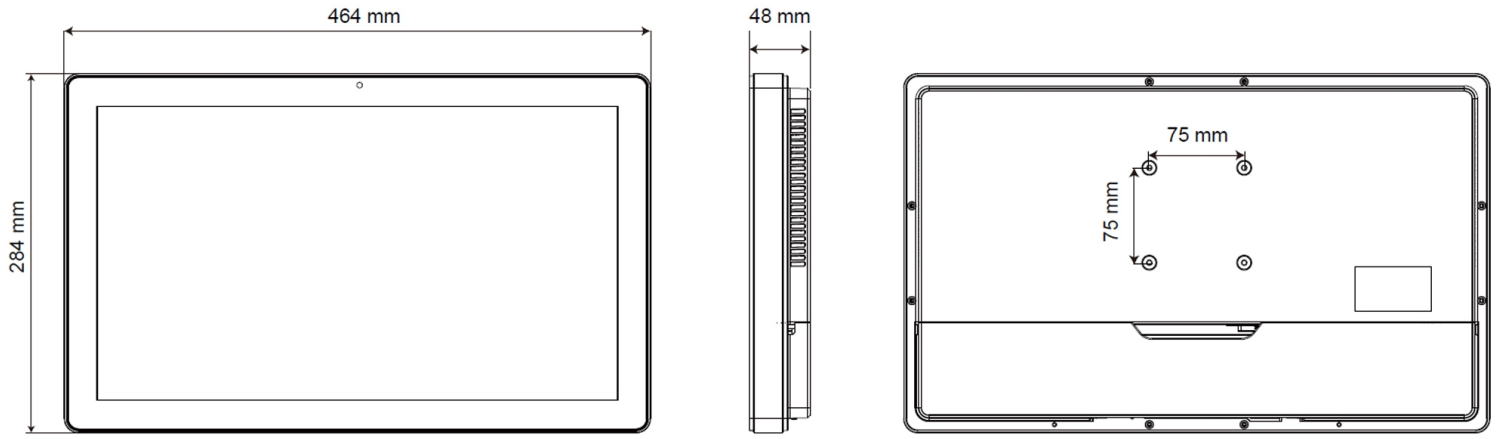
## EUROPE

Teguar Europe AG  
Churerstrasse 54, CH-8808  
Pfäffikon, Switzerland  
+41 41 561 53 11  
sales.EU@teguar.com

## ASIA

Teguar Taiwan Ltd.  
Rm. A, 28F-12., No.99, Sec. 1, Xintai 5th Rd.,  
Xizhi Dist., New Taipei City 221, Taiwan (R.O.C.)  
+886 2 7751 5319  
sales@teguar.com.tw

## Tech Diagram Images



### USA

Teguar  
2920 Whitehall Park Drive  
Charlotte, NC 28273  
+1 866-693-3105  
sales@teguar.com

### EUROPE

Teguar Europe AG  
Churerstrasse 54, CH-8808  
Pfäffikon, Switzerland  
+41 41 561 53 11  
sales.EU@teguar.com

### ASIA

Teguar Taiwan Ltd.  
Rm. A, 28F-12., No.99, Sec. 1, Xintai 5th Rd.,  
Xizhi Dist., New Taipei City 221, Taiwan (R.O.C.)  
+886 2 7751 5319  
sales@teguar.com.tw