

# TM-5010-24

## 24" Medical Computer



### Key Highlights

- 24" P-Cap HD Multi-Touch Screen
- 6th Gen Intel Core i3/i5/i7 CPU
- Supports Intel vPro Hardware Security
- 60601-1 4th Ed Certified
- DICOM Customization Available
- 4KV Isolation Ports and PCI-E Expansion Options

[VIEW ONLINE](#)

With the highest level of medical safety protection available, the TM-5010-24 medical computer is the premier 24" healthcare computer available today. Recent medical panel pc requirements and future needs are accounted for to produce this unsurpassed medical computer. This TM-5010-24 is EN/UL 60601- 4th edition certified, has a ten point multi-touch HD screen and is customizable for DICOM. The advanced CPU supports Intel vPro with options for TPM v2.0. An optional back-up battery pack and 4KV isolation give further versatility for applications in critical care. The ten front function buttons are full flat flush and easily cleaned in the anti-bacterial housing. From bedside patient care to the operating theater, this TM-5010-24 medical grade computer sets a new standard of care.

#### USA

Teguar  
2920 Whitehall Park Drive  
Charlotte, NC 28273  
+1 866-693-3105  
sales@teguar.com

#### EUROPE

Teguar Europe AG  
Churerstrasse 54, CH-8808  
Pfäffikon, Switzerland  
+41 41 561 53 11  
sales.EU@teguar.com

#### ASIA

Teguar Taiwan Ltd.  
Rm. A, 28F-12., No.99, Sec. 1, Xintai 5th Rd.,  
Xizhi Dist., New Taipei City 221, Taiwan (R.O.C.)  
+886 2 7751 5319  
sales@teguar.com.tw

# Technical Specifications

## Primary Components

Processor Family	Intel Core I series 6th Generation Skylake
Processor Model	Core i5-6200
Processor Speed	2.3 GHz
Memory Type	2x DDR4 SO-DIMM
Memory Support	4GB, 8GB, 16GB, 32GB
Storage Type	1x 2.5" SATA Drive Bay for SSD/HDD, mSATA
Storage Support	32GB-1TB

## External I/O Ports

USB	2x USB 3.0, 2x USB 3.1
Serial / Com	2x COM
Serial Protocol Detail	2x RS-232
Ethernet / LAN	1x RJ45 GbE LAN
Video Outputs	2x DisplayPort
Other Ports	4KV Isolation Option is 2x ISO COM, 1x ISO LAN, 1x ISO USB 2.0
Audio Ports	1x 3.5mm Headphone Jack

## Expansion Slots

Internal M.2	1x M.2 Type E
Video Card Support	Intel Integrated HD Graphics 530

## Thermal & Environmental

Operating Temperature	0°C - 35°C (32°F - 95°F)
Storage Temperature	-20°C - 60°C (-4°F - 140°F)
Cooling Solution	Passive - Fanless
Humidity Range	10% - 90% Non-condensing
Storage Humidity	10% - 90% Non-condensing

## Peripherals & Wireless Connectivity

WiFi	Optional 802.11 a/b/g/n/AC WLAN module + Optional Bluetooth
RFID	Optional RFID reader (13.56Hz)
Peripheral Other	Reading light

## Weight / Dimensions

Weight	9 kg (19.8 lbs)
Dimensions	606 x 398 x 65.6 mm (23.9 x 15.7 x 2.6 in)

## Warranty

Warranty	Up to 5 Years
----------	---------------

## Display

Screen Size	23.8"
Screen Resolution	1920 x 1080 (Full HD)
Screen Ratio	16:9
Brightness	250 nits

## Touch Screen

Touch Screen	Projected Capacitive (Multi-touch)
Hardness	7H

## Power

Max Power Consumption	116W
Standard Power Adapter	AC 90V-264V / 47-63 Hz

## Battery

Battery Type	Optional Internal Battery
--------------	---------------------------

## Operating Systems

Windows	Windows 10 IoT, Windows 7 Pro, Windows 8.1 Pro
---------	--

## Compatibility

Security Hardware	Supports Intel Vpro
-------------------	---------------------

## Multimedia

Speakers	2x 5W Speakers
Camera	Optional 5MP Webcam
Microphone	Built-in Microphone

## Enclosure

Material	Plastic
IP Rating	IP65 Front Bezel
Color	White
Led Indicator Light	Battery, HDD Access, Power
Control Buttons	Audio Down, Brightness Down, Brightness Up, Clean me, Display on/off, Power Button, Video Input Selection
Programmable Function Buttons	1x Programmable Function Key
Shock Rating	Operating: 15g/0.53 oz, 11 ms, half sine wave
Drop Rating	3ft Drop Protection
Mounting Options	Desktop Stand, VESA Mount, Wall Mount

## Certification

Certifications	CE, Energy Star 6.1 Compliance, FCC, UL 60950, VCCI Class B
----------------	---

Specifications subject to change.

### USA

Teguar  
2920 Whitehall Park Drive  
Charlotte, NC 28273  
+1 866-693-3105  
sales@teguar.com

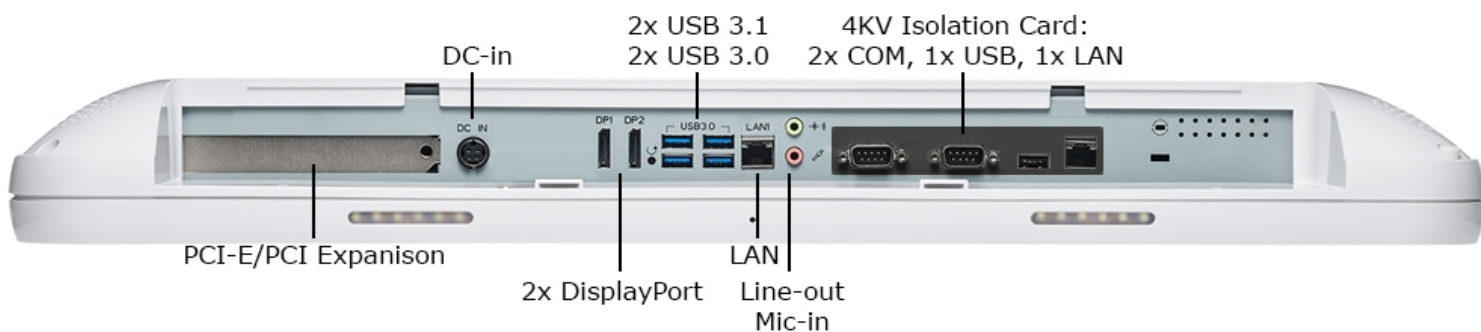
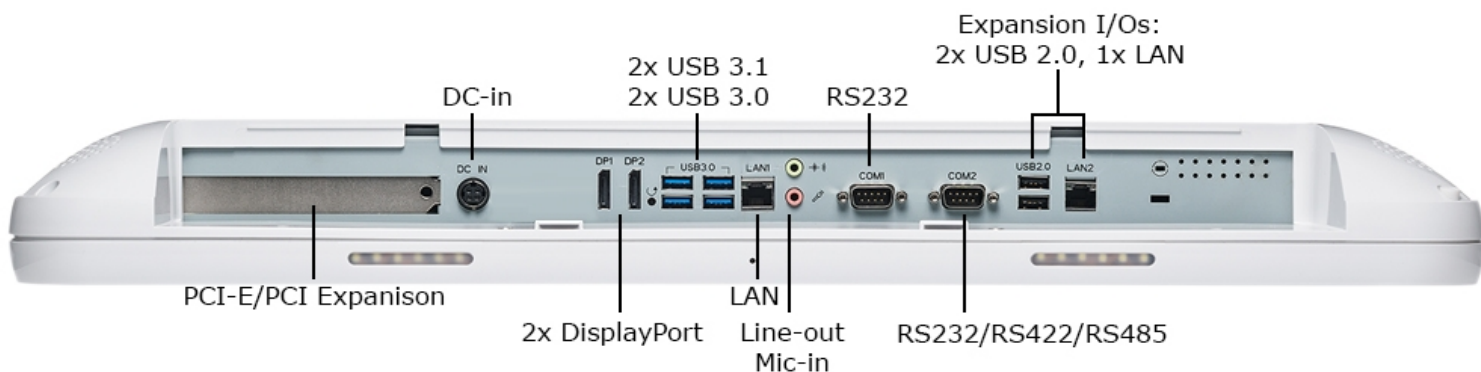
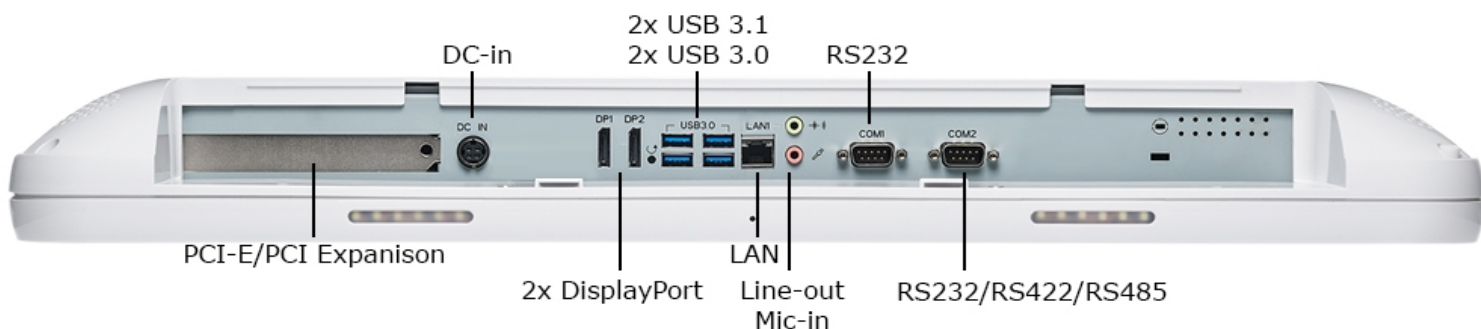
### EUROPE

Teguar Europe AG  
Churerstrasse 54, CH-8808  
Pfäffikon, Switzerland  
+41 41 561 53 11  
sales.EU@teguar.com

### ASIA

Teguar Taiwan Ltd.  
Rm. A, 28F-12., No.99, Sec. 1, Xintai 5th Rd.,  
Xizhi Dist., New Taipei City 221, Taiwan (R.O.C.)  
+886 2 7751 5319  
sales@teguar.com.tw

## I/O Diagram Images



### USA

Teguar  
2920 Whitehall Park Drive  
Charlotte, NC 28273  
+1 866-693-3105  
sales@teguar.com

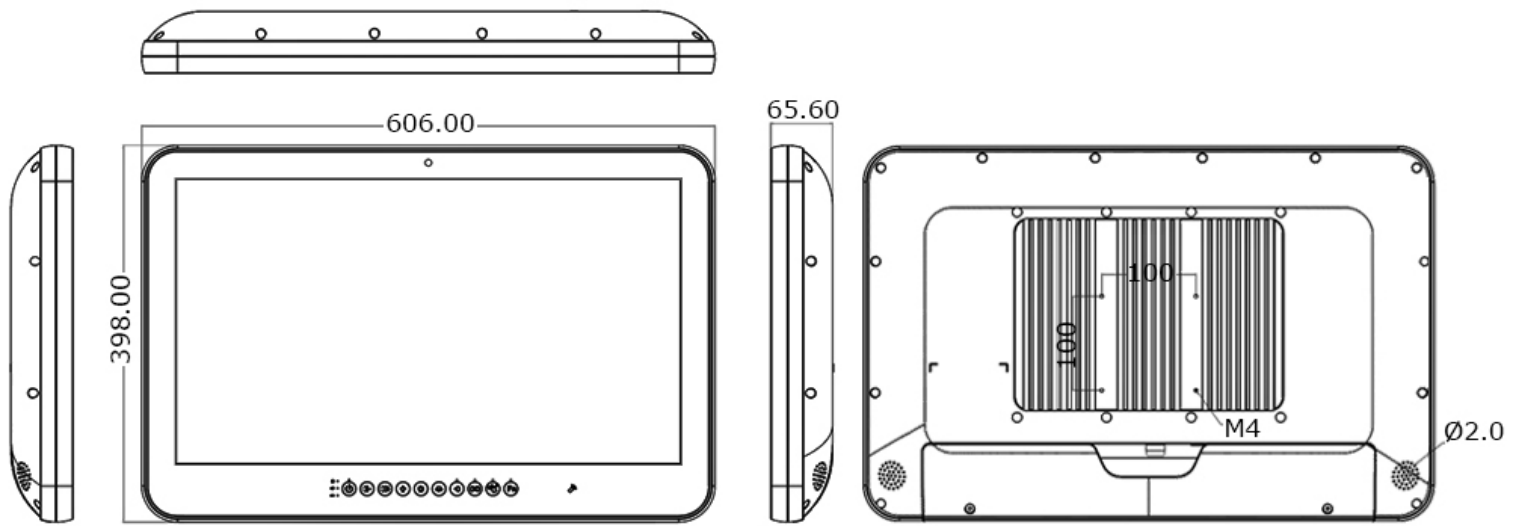
### EUROPE

Teguar Europe AG  
Churerstrasse 54, CH-8808  
Pfäffikon, Switzerland  
+41 41 561 53 11  
sales.EU@teguar.com

### ASIA

Teguar Taiwan Ltd.  
Rm. A, 28F-12, No.99, Sec. 1, Xintai 5th Rd.,  
Xizhi Dist., New Taipei City 221, Taiwan (R.O.C.)  
+886 2 7751 5319  
sales@teguar.com.tw

## Tech Diagram Images



### USA

Teguar  
2920 Whitehall Park Drive  
Charlotte, NC 28273  
+1 866-693-3105  
sales@teguar.com

### EUROPE

Teguar Europe AG  
Churerstrasse 54, CH-8808  
Pfäffikon, Switzerland  
+41 41 561 53 11  
sales.EU@teguar.com

### ASIA

Teguar Taiwan Ltd.  
Rm. A, 28F-12., No.99, Sec. 1, Xintai 5th Rd.,  
Xizhi Dist., New Taipei City 221, Taiwan (R.O.C.)  
+886 2 7751 5319  
sales@teguar.com.tw