

# TP-2945-12

## 12" Fanless Panel PC



### Key Highlights

- 12.1" True Flat Panel Touch Screen
- Intel Bay Trail Quad Core N2930 1.83GHz CPU
- Onboard DDR3L 4GB Memory
- Optional PoE (Power over Ethernet)
- IP66 Protected Front Bezel
- 2 Pin Connector for Power Switch

[VIEW ONLINE](#)

The 12" Fanless [Panel PC](#) is a solid addition to any shop floor or manufacturing operation. The 12.1" full flat touchscreen display allows for easy interaction with facility software. By utilizing a system on chip (SoC) architecture, this unit can provide strong CPU performance without being a massive drain on power. Built with industrial-grade solid state components, this fanless panel pc can easily withstand working environments containing dust, dirt, and vibrations. The rugged housing is made of a tough die-cast aluminum and features an IP65 dust and waterproof rating on the front bezel. For added versatility you can choose to configure this computer to receive its power from a standard ethernet cable (PoE) rather than using a DC input cable.

#### USA

Teguar  
2920 Whitehall Park Drive  
Charlotte, NC 28273  
+1 866-693-3105  
sales@teguar.com

#### EUROPE

Teguar Europe AG  
Churerstrasse 54, CH-8808  
Pfäffikon, Switzerland  
+41 41 561 53 11  
sales.EU@teguar.com

#### ASIA

Teguar Taiwan Ltd.  
Rm. A, 28F-12., No.99, Sec. 1, Xintai 5th Rd.,  
Xizhi Dist., New Taipei City 221, Taiwan (R.O.C.)  
+886 2 7751 5319  
sales@teguar.com.tw

# Technical Specifications

## Primary Components

Processor Family	Intel Celeron Bay Trail
Processor Model	N2930
Processor Speed	1.83 GHz
Memory Type	Onboard DDR3
Memory Support	4GB
Storage Type	1x 2.5" SATA Drive Bay for SSD/HDD
Storage Support	32GB-1TB

## Power

Input Voltage Range	9-36V DC
Standard Power Adapter	Optional 12V AC/DC Adapter

## Battery

Battery Type	Optional Internal Battery
--------------	---------------------------

## Operating Systems

Windows	Windows 10 IoT, Windows 10 Pro, Windows 8.1 Pro
Linux	Linux (Contact your sales rep for more information)

## Thermal & Environmental

Operating Temperature	-20°C - 60°C (-4°F - 140°F)
Storage Temperature	-30°C - 70°C (-22°F - 158°F)
Cooling Solution	Passive - Fanless with Heatsink
Humidity Range	10% - 90% Non-condensing

## Weight / Dimensions

Weight	2.5 kg (5.5 lbs)
Dimensions	319 x 245 x 52 mm (12.6 x 9.6 x 2.0 in)

## Certification

Certifications	CE, FCC Class A, UL 60950
----------------	---------------------------

*Specifications subject to change.*

## Display

Screen Size	12.1"
Screen Resolution	1024 x 768 (XGA)
Screen Ratio	4:3
Brightness	450 nits, 500 nits, Optional 1000 nit High Brightness

## Touch Screen

Touch Screen	Projected Capacitive, Resistive
--------------	---------------------------------

## External I/O Ports

USB	2x USB 3.0
Serial / Com	2x COM
Serial Protocol Detail	1x RS-232/422/485 DB-9, default RS-232(COM1), 1x RS-232 DB-9(COM2)
Ethernet / LAN	2x RJ45 GbE LAN
Video Outputs	1x HDMI
Other Ports	1x 2-Pin DC Power Switch Connector
Audio Ports	1x Audio Line-Out
Power Input Port	3-Pin DC-In (Phoenix Type), Optional POE+, 30W with 2x USB 2.0

## Enclosure

Material	Aluminum
IP Rating	IP66 Front Bezel
Mounting Options	Panel Mount, VESA 100 Mount

## Peripherals & Wireless Connectivity

WiFi	Optional WiFi
Bluetooth	Optional Bluetooth 4.0
Mobile Network 4G LTE	Optional 4G

## Warranty

Warranty	Up to 5 Years
----------	---------------

### USA

Teguar  
2920 Whitehall Park Drive  
Charlotte, NC 28273  
+1 866-693-3105  
sales@teguar.com

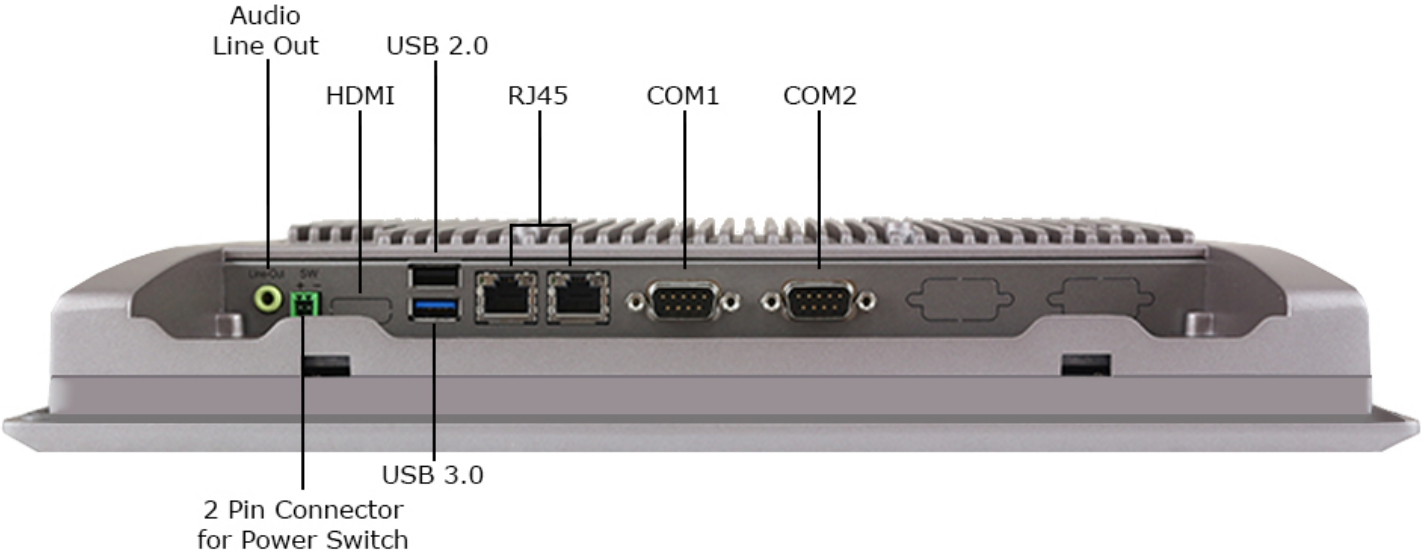
### EUROPE

Teguar Europe AG  
Churerstrasse 54, CH-8808  
Pfäffikon, Switzerland  
+41 41 561 53 11  
sales.EU@teguar.com

### ASIA

Teguar Taiwan Ltd.  
Rm. A, 28F-12., No.99, Sec. 1, Xintai 5th Rd.,  
Xizhi Dist., New Taipei City 221, Taiwan (R.O.C.)  
+886 2 7751 5319  
sales@teguar.com.tw

# I/O Diagram Images



### USA

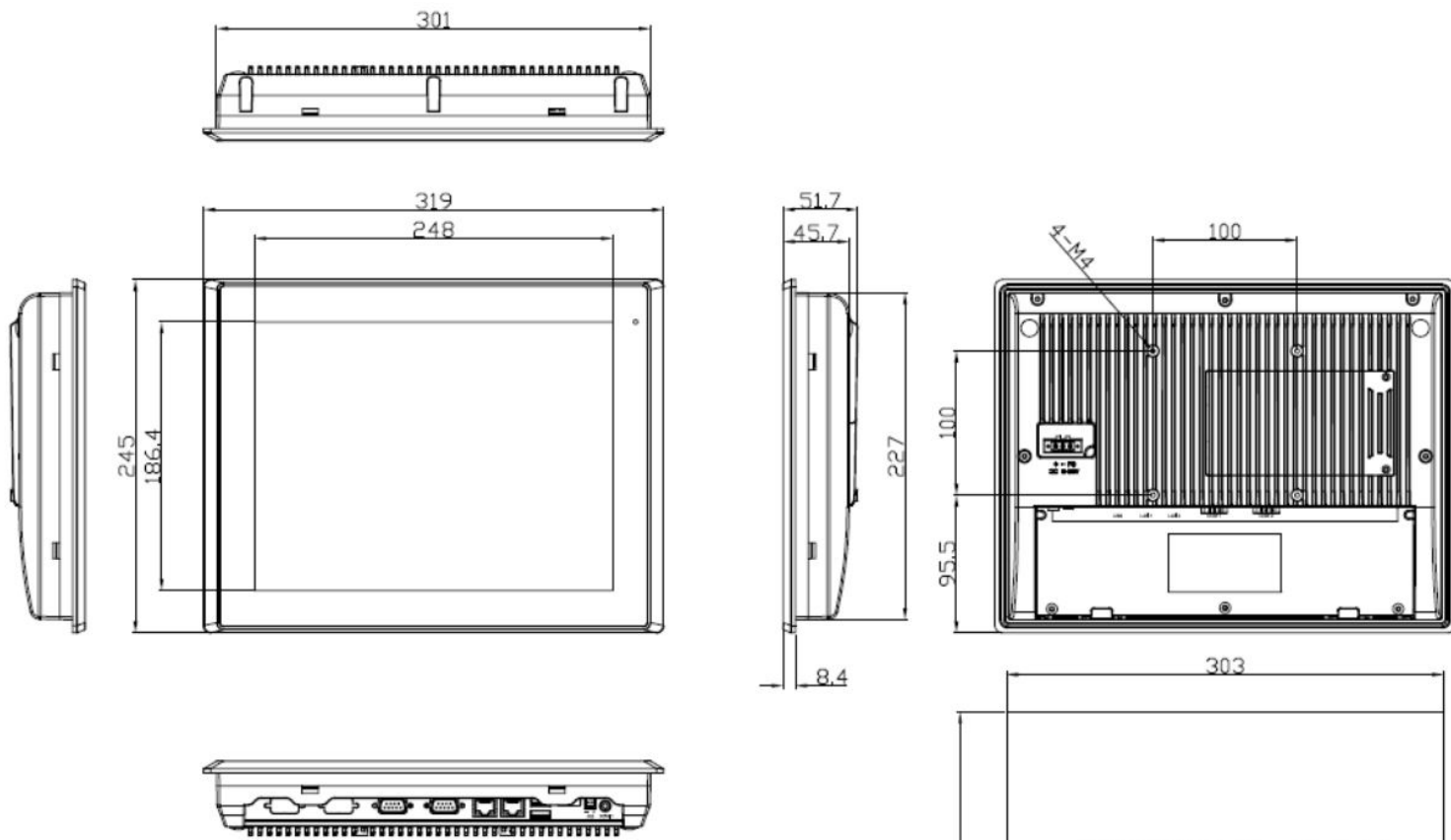
Teguar  
2920 Whitehall Park Drive  
Charlotte, NC 28273  
+1 866-693-3105  
sales@teguar.com

### EUROPE

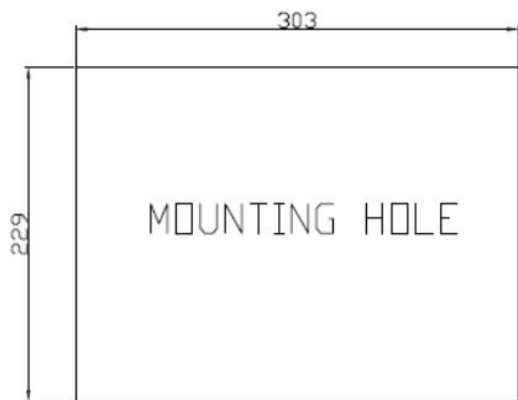
Teguar Europe AG  
Churerstrasse 54, CH-8808  
Pfäffikon, Switzerland  
+41 41 561 53 11  
sales.EU@teguar.com

### ASIA

Teguar Taiwan Ltd.  
Rm. A, 28F-12., No.99, Sec. 1, Xintai 5th Rd.,  
Xizhi Dist., New Taipei City 221, Taiwan (R.O.C.)  
+886 2 7751 5319  
sales@teguar.com.tw



UNIT: mm  
Tolerance:  $\pm 0.5$



**USA**

Teguar  
2920 Whitehall Park Drive  
Charlotte, NC 28273  
+1 866-693-3105  
sales@teguar.com

**EUROPE**

Teguar Europe AG  
Churerstrasse 54, CH-8808  
Pfäffikon, Switzerland  
+41 41 561 53 11  
sales.EU@teguar.com

**ASIA**

Teguar Taiwan Ltd.  
Rm. A, 28F-12., No.99, Sec. 1, Xintai 5th Rd.,  
Xizhi Dist., New Taipei City 221, Taiwan (R.O.C.)  
+886 2 7751 5319  
sales@teguar.com.tw