

TP-2945-10

10" Flush Mount Panel PC



Key Highlights

- 10.1" True Flat Panel Touch Screen
- Intel Bay Trail Quad Core N2930 1.83GHz CPU
- Onboard DDR3L 4GB Memory
- Fanless Design and Ultra-low Power Usage
- IP66 Protected Front with Aluminum Housing
- 1280 x 800 Display Resolution
- Optional PoE (Power over Ethernet)

[VIEW ONLINE](#)

The TP-2945-10 fanless [panel PC](#) is an excellent compact interface for your shop floor and works well with MES (Manufacturing Execution Systems) and SCADA (Supervisory Control and Data Acquisition) software packages. To stand up to the rigors of your facility this computer utilizes a fanless cooling system and is built with industrial-grade components. The powerful but efficient Intel 1.83GHz quad core CPU takes advantage of a system on chip (SoC) architecture to deliver plenty of processing power while maintaining low energy usage. The front bezel is IP65 dust and waterproof rated and features a 10.1" flat touchscreen.

USA

Teguar
2920 Whitehall Park Drive
Charlotte, NC 28273
+1 866-693-3105
sales@teguar.com

EUROPE

Teguar Europe AG
Churerstrasse 54, CH-8808
Pfäffikon, Switzerland
+41 41 561 53 11
sales.EU@teguar.com

ASIA

Teguar Taiwan Ltd.
Rm. A, 28F-12., No.99, Sec. 1, Xintai 5th Rd.,
Xizhi Dist., New Taipei City 221, Taiwan (R.O.C.)
+886 2 7751 5319
sales@teguar.com.tw

Technical Specifications

Primary Components

Processor Family	Intel Celeron Bay Trail
Processor Model	N2930
Processor Speed	1.83 GHz
Memory Type	Onboard DDR3
Memory Support	4GB
Storage Type	1x 2.5" SATA Drive Bay for SSD/HDD
Storage Support	32GB-1TB

Power

Input Voltage Range	9-36V DC
Standard Power Adapter	Optional 12V AC/DC Adapter

Battery

Battery Type	Optional Internal Battery
--------------	---------------------------

Operating Systems

Windows	Windows 10 IoT, Windows 10 Pro, Windows 8.1 Pro
Linux	Linux (Contact your sales rep for more information)

Thermal & Environmental

Operating Temperature	-20°C - 60°C (-4°F - 140°F)
Storage Temperature	-30°C - 70°C (-22°F - 158°F)
Cooling Solution	Passive - Fanless with Heatsink
Humidity Range	10% - 90% Non-condensing

Weight / Dimensions

Weight	2.1 kg (4.6 lbs)
Dimensions	285 x 49 x 189 mm (11.2 x 1.9 x 7.4 in)

Certification

Certifications	CE, FCC Class A, UL 60950
----------------	---------------------------

Specifications subject to change.

Display

Screen Size	10.1"
Screen Resolution	1280 x 800 (WXGA)
Screen Ratio	16:10
Brightness	350 nits, Optional 1000 nit High Brightness

Touch Screen

Touch Screen	Projected Capacitive, Resistive
--------------	---------------------------------

External I/O Ports

USB	2x USB 3.0
Serial / Com	2x COM
Serial Protocol Detail	1x RS-232/422/485 DB-9, default RS-232(COM1), 1x RS-232 DB-9(COM2)
Ethernet / LAN	2x RJ45 GbE LAN
Video Outputs	1x HDMI
Other Ports	1x 2-Pin DC Power Switch Connector
Audio Ports	1x Audio Line-Out
Power Input Port	3-Pin DC-In (Phoenix Type), Optional POE+, 30W with 2x USB 2.0

Enclosure

Material	Aluminum
IP Rating	IP66 Front Bezel
Mounting Options	Panel Mount, VESA 100 Mount

Peripherals & Wireless Connectivity

WiFi	Optional WiFi
Bluetooth	Optional Bluetooth 4.0
Mobile Network 4G LTE	Optional 4G

Warranty

Warranty	Up to 5 Years
----------	---------------

USA

Teguar
2920 Whitehall Park Drive
Charlotte, NC 28273
+1 866-693-3105
sales@teguar.com

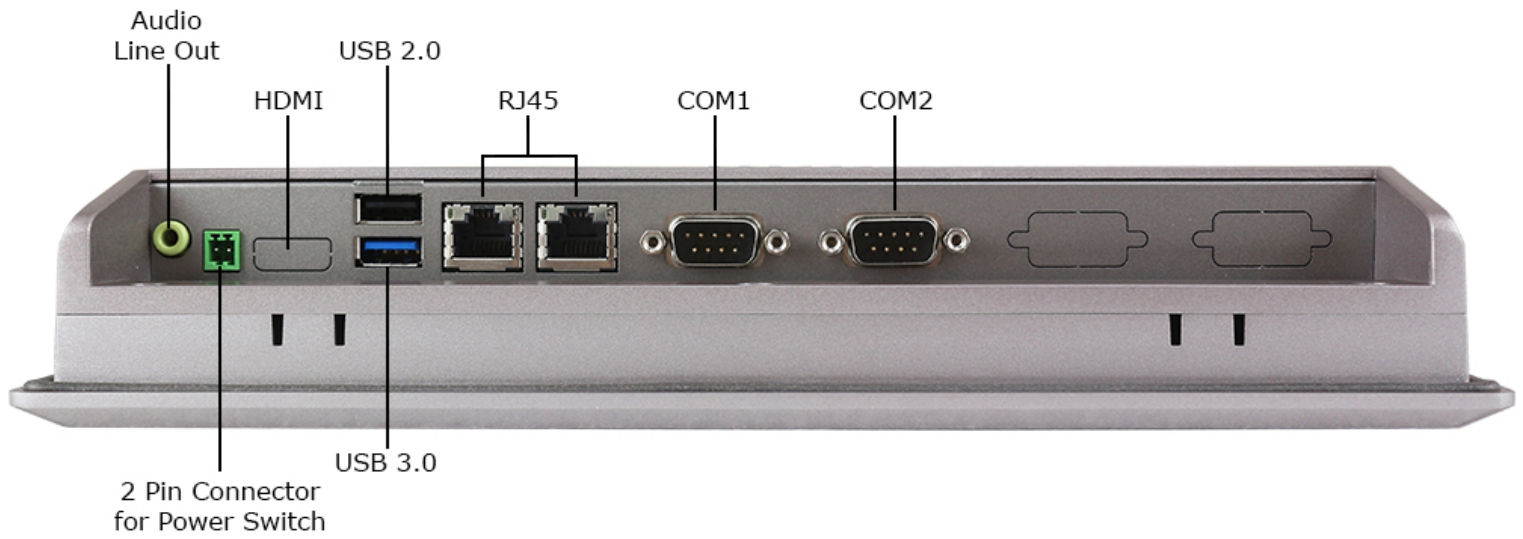
EUROPE

Teguar Europe AG
Churerstrasse 54, CH-8808
Pfäffikon, Switzerland
+41 41 561 53 11
sales.EU@teguar.com

ASIA

Teguar Taiwan Ltd.
Rm. A, 28F-12., No.99, Sec. 1, Xintai 5th Rd.,
Xizhi Dist., New Taipei City 221, Taiwan (R.O.C.)
+886 2 7751 5319
sales@teguar.com.tw

I/O Diagram Images



USA

Teguar
2920 Whitehall Park Drive
Charlotte, NC 28273
+1 866-693-3105
sales@teguar.com

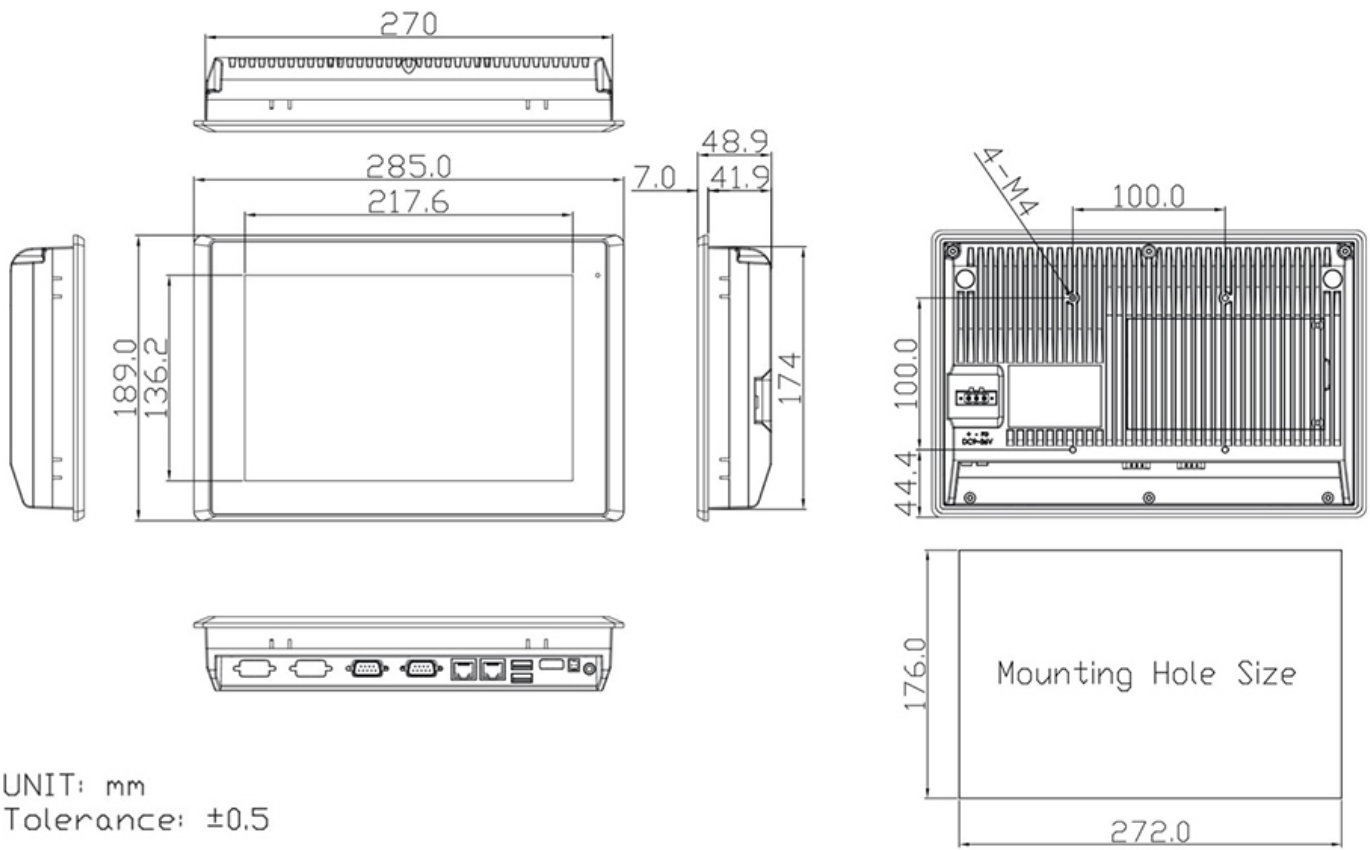
EUROPE

Teguar Europe AG
Churerstrasse 54, CH-8808
Pfäffikon, Switzerland
+41 41 561 53 11
sales.EU@teguar.com

ASIA

Teguar Taiwan Ltd.
Rm. A, 28F-12., No.99, Sec. 1, Xintai 5th Rd.,
Xizhi Dist., New Taipei City 221, Taiwan (R.O.C.)
+886 2 7751 5319
sales@teguar.com.tw

Tech Diagram Images



USA

Teguar
2920 Whitehall Park Drive
Charlotte, NC 28273
+1 866-693-3105
sales@teguar.com

EUROPE

Teguar Europe AG
Churerstrasse 54, CH-8808
Pfäffikon, Switzerland
+41 41 561 53 11
sales.EU@teguar.com

ASIA

Teguar Taiwan Ltd.
Rm. A, 28F-12., No.99, Sec. 1, Xintai 5th Rd.,
Xizhi Dist., New Taipei City 221, Taiwan (R.O.C.)
+886 2 7751 5319
sales@teguar.com.tw