

TP-4010-12

12" Industrial Touchscreen PC



Key Highlights

- 12" Display with 800 x 600 Resolution
- Bay Trail Celeron J1900 Quad-Core CPU
- Highly Reliable Thermal Design for 24/7 Use
- Resistive Touchscreen with IP66 Front Bezel
- 2 Mini PCIe Sockets for add-on Expansion

[VIEW ONLINE](#)

The TP-4010-12 industrial [panel PC](#) features a Bay Trail Celeron J1900 quad-core CPU and up to 8GB of RAM. This unit makes use of a system on chip (SoC) architecture to improve the efficiency of the computer. This 12" panel mount resistive touchscreen PC has an IP66 dust and waterproof rated front bezel and can be panel or VESA mounted.

USA

Teguar
2920 Whitehall Park Drive
Charlotte, NC 28273
+1 866-693-3105
sales@teguar.com

EUROPE

Teguar Europe AG
Churerstrasse 54, CH-8808
Pfäffikon, Switzerland
+41 41 561 53 11
sales.EU@teguar.com

ASIA

Teguar Taiwan Ltd.
Rm. A, 28F-12., No.99, Sec. 1, Xintai 5th Rd.,
Xizhi Dist., New Taipei City 221, Taiwan (R.O.C.)
+886 2 7751 5319
sales@teguar.com.tw

Technical Specifications

Primary Components

Processor Family	Intel Celeron Bay Trail
Processor Model	J1900 Quad Core
Processor Speed	2.0 GHz
Memory Type	2x DDR3L SO-DIMM
Memory Support	2GB, 4GB, 8GB
Storage Type	1x 2.5" SATA Drive Bay for SSD/HDD
Storage Support	32GB-1TB

Power

Input Voltage Range	7-32V DC
Max Power Consumption	28.2W
Standard Power Adapter	AC 90-264V / 47-63Hz / DC Output 12V, 57W

Operating Systems

Windows	Windows 10 IoT, Windows 10 Pro, Windows 7 Pro
---------	---

Compatibility

Security Hardware	Optional TPM 2.0
-------------------	------------------

Enclosure

Material	Aluminum, Optional Stainless Steel Bezel, Steel
IP Rating	IP66 Front Bezel
Mounting Options	Panel Mount, VESA Mount

Weight / Dimensions

Weight	4.5 kg (9.9 lbs)
Dimensions	369 x 290 x 55 mm (14.5 x 11.4 x 2.2 in)

Specifications subject to change.

Display

Screen Size	12"
Screen Resolution	800 x 600 (SVGA)
Screen Ratio	4:3
Brightness	450 nits

Touch Screen

Touch Screen	Resistive
--------------	-----------

External I/O Ports

USB	1x USB 3.0, 3x USB 2.0
Serial / Com	3x COM
Serial Protocol Detail	2x RS-232, 1x RS-232/422/485 (RS485 supports auto flow control)
Ethernet / LAN	2x RJ45 GbE LAN
Audio Ports	1x 3.5mm Audio Line-Out, 1x 3.5mm Microphone Jack
Power Input Port	4-Pole DIN (latching)

Thermal & Environmental

Operating Temperature	0°C - 50°C (32°F - 122°F)
Storage Temperature	-20°C - 65°C (-4°F - 149°F)
Cooling Solution	Passive - Fanless with Heatsink
Humidity Range	10% - 90% Non-condensing

Peripherals & Wireless Connectivity

WiFi	Optional WLAN
------	---------------

Warranty

Warranty	Up to 5 Years
----------	---------------

USA

Teguar
2920 Whitehall Park Drive
Charlotte, NC 28273
+1 866-693-3105
sales@teguar.com

EUROPE

Teguar Europe AG
Churerstrasse 54, CH-8808
Pfäffikon, Switzerland
+41 41 561 53 11
sales.EU@teguar.com

ASIA

Teguar Taiwan Ltd.
Rm. A, 28F-12., No.99, Sec. 1, Xintai 5th Rd.,
Xizhi Dist., New Taipei City 221, Taiwan (R.O.C.)
+886 2 7751 5319
sales@teguar.com.tw

I/O Diagram Images



USA

Teguar
2920 Whitehall Park Drive
Charlotte, NC 28273
+1 866-693-3105
sales@teguar.com

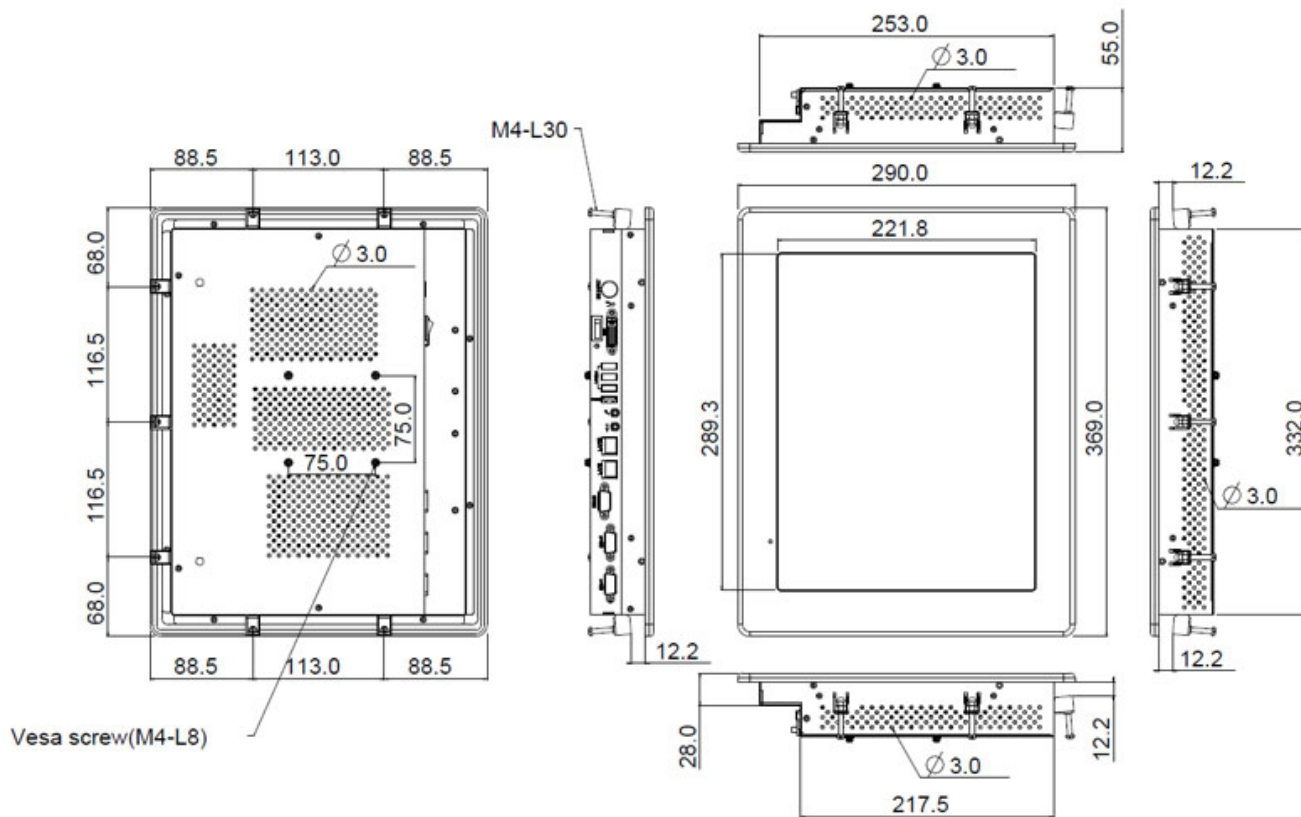
EUROPE

Teguar Europe AG
Churerstrasse 54, CH-8808
Pfäffikon, Switzerland
+41 41 561 53 11
sales.EU@teguar.com

ASIA

Teguar Taiwan Ltd.
Rm. A, 28F-12., No.99, Sec. 1, Xintai 5th Rd.,
Xizhi Dist., New Taipei City 221, Taiwan (R.O.C.)
+886 2 7751 5319
sales@teguar.com.tw

Tech Diagram Images



USA

Teguar
2920 Whitehall Park Drive
Charlotte, NC 28273
+1 866-693-3105
sales@teguar.com

EUROPE

Teguar Europe AG
Churerstrasse 54, CH-8808
Pfäffikon, Switzerland
+41 41 561 53 11
sales.EU@teguar.com

ASIA

Teguar Taiwan Ltd.
Rm. A, 28F-12., No.99, Sec. 1, Xintai 5th Rd.,
Xizhi Dist., New Taipei City 221, Taiwan (R.O.C.)
+886 2 7751 5319
sales@teguar.com.tw