

TP-5010-17

17" Flush Mount Panel PC



Key Highlights

- 17" LED Backlit Full Flat Resistive/P-cap Touch Panel
- Intel 6th Generation Skylake Core i3/i5/i7 CPU
- HDD Anti-vibration Mechanism
- IP66 Rated Front Side
- Optional Wireless Connectivity

[VIEW ONLINE](#)

The TP-5010-17 runs on an Intel Skylake Core i3/i5/i7 CPU and has a rugged, fanless design. This [Panel PC](#) can be panel mounted into a cut out enclosure on your production line, machine, or wall, or it can be VESA mounted. The IP66 rated front bezel is full-flat for easy cleaning. The PCap or resistive touchscreen has a 5:4 screen ratio, which is required for some HMI and SCADA applications.

This product is now considered "Previous Generation." meaning it may or may not still be available for purchase. Call +1 800 870 7715 for details on this product or check out our full list of currently [available Panel PCs](#).

USA

Teguar
2920 Whitehall Park Drive
Charlotte, NC 28273
+1 866-693-3105
sales@teguar.com

EUROPE

Teguar Europe AG
Churerstrasse 54, CH-8808
Pfäffikon, Switzerland
+41 41 561 53 11
sales.EU@teguar.com

ASIA

Teguar Taiwan Ltd.
Rm. A, 28F-12., No.99, Sec. 1, Xintai 5th Rd.,
Xizhi Dist., New Taipei City 221, Taiwan (R.O.C.)
+886 2 7751 5319
sales@teguar.com.tw

Technical Specifications

Primary Components

Processor Family	Intel Core I series 6th Generation Skylake
Processor Model	Core i5-6200U
Processor Speed	2.3 GHz
Memory Type	2x DDR4 SO-DIMM
Memory Support	4GB, 8GB, 16GB, 32GB
Storage Type	1x 2.5" SATA Drive Bay for SSD/HDD, M.2, mSATA
Storage Support	32GB-1TB

External I/O Ports

USB	4x USB 3.0
Serial / Com	2x COM
Serial Protocol Detail	1x RS-232, 1x RS-232/422/485 (RS485 supports auto flow control)
Ethernet / LAN	2x RJ45 GbE LAN
Video Outputs	2x DisplayPort
Audio Ports	1x 3.5mm Microphone Jack, 1x Audio Line-Out
Power Input Port	4-Pole DIN (latching)

Expansion Slots

Internal M.2	1x M.2 Type E
Video Card Support	Intel Integrated HD Graphics 520

Enclosure

Material	Aluminum, Optional Stainless Steel Bezel, Steel
IP Rating	IP66 Front Bezel
Color	Black
Control Buttons	Power Button, Power Reset
Mounting Options	Panel Mount, VESA Mount

Certification

Certifications	CE, FCC Class B, VCCI
----------------	-----------------------

Warranty

Warranty	Up to 5 Years
----------	---------------

Specifications subject to change.

Display

Screen Size	17"
Screen Resolution	1280 x 1024 (SXGA)
Screen Ratio	5:4
Brightness	350 nits

Touch Screen

Touch Screen	Projected Capacitive, Resistive
Hardness	Resistive: 4H, P-cap: 7H

Power

Input Voltage Range	9-32V DC
Max Power Consumption	61.4W
Standard Power Adapter	Optional, 100 watts, universal 100 ~240V AC in, 12V DC out, 8.33A

Operating Systems

Windows	Windows 10 IoT, Windows 10 Pro, Windows 7 Pro
---------	---

Compatibility

Security Hardware	Optional TPM 2.0
-------------------	------------------

Thermal & Environmental

Operating Temperature	0°C - 50°C (32°F - 122°F)
Storage Temperature	-20°C - 60°C (-4°F - 140°F)
Cooling Solution	Passive - Fanless
Humidity Range	10% - 90% Non-condensing
Storage Humidity	10% - 90% Non-condensing

Peripherals & Wireless Connectivity

WiFi	Optional 802.11 ac + Bluetooth 4.0 with External Antennas
------	---

Weight / Dimensions

Weight	8.5 kg (18.7 lbs)
Dimensions	426.2 x 358.6 x 90 mm (16.8 x 14.1 x 3.5 in)

USA

Teguar
2920 Whitehall Park Drive
Charlotte, NC 28273
+1 866-693-3105
sales@teguar.com

EUROPE

Teguar Europe AG
Churerstrasse 54, CH-8808
Pfäffikon, Switzerland
+41 41 561 53 11
sales.EU@teguar.com

ASIA

Teguar Taiwan Ltd.
Rm. A, 28F-12., No.99, Sec. 1, Xintai 5th Rd.,
Xizhi Dist., New Taipei City 221, Taiwan (R.O.C.)
+886 2 7751 5319
sales@teguar.com.tw

I/O Diagram Images



USA

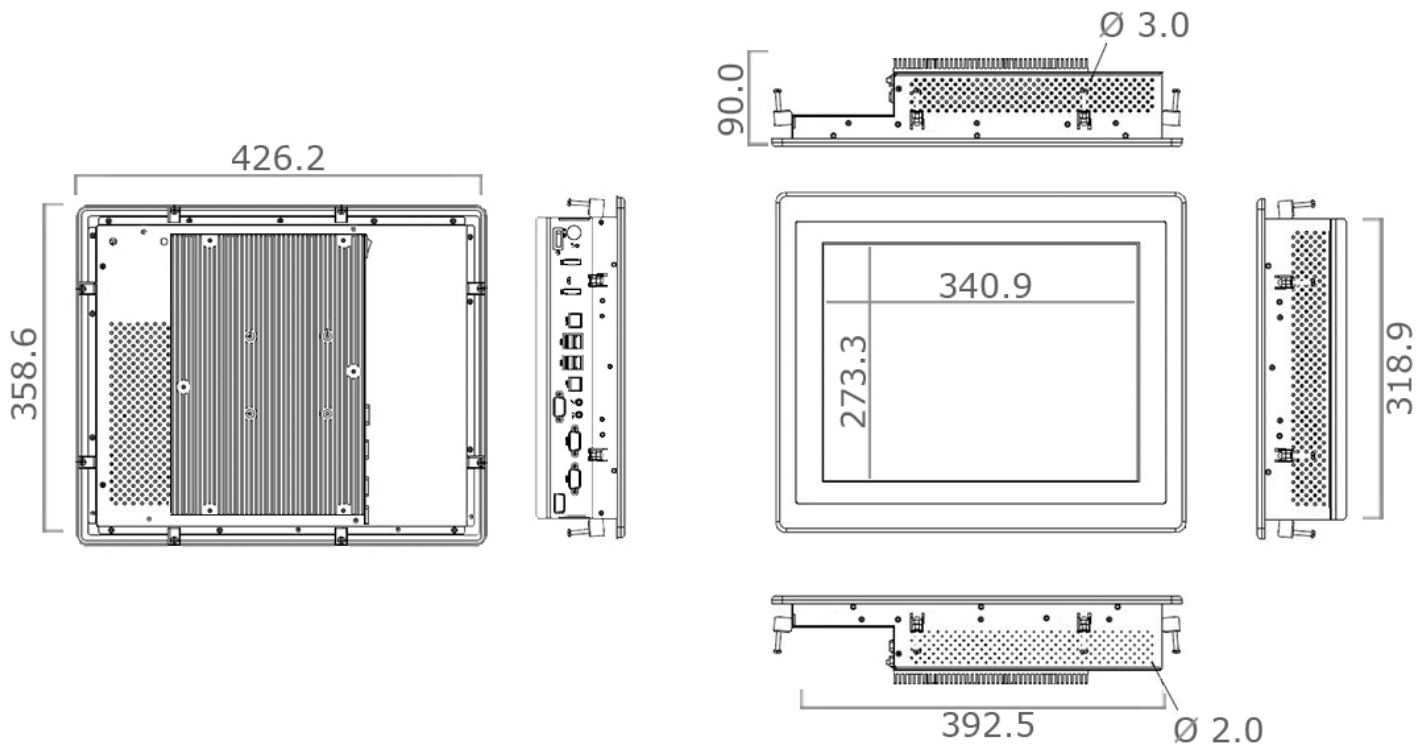
Teguar
2920 Whitehall Park Drive
Charlotte, NC 28273
+1 866-693-3105
sales@teguar.com

EUROPE

Teguar Europe AG
Churerstrasse 54, CH-8808
Pfäffikon, Switzerland
+41 41 561 53 11
sales.EU@teguar.com

ASIA

Teguar Taiwan Ltd.
Rm. A, 28F-12., No.99, Sec. 1, Xintai 5th Rd.,
Xizhi Dist., New Taipei City 221, Taiwan (R.O.C.)
+886 2 7751 5319
sales@teguar.com.tw



USA

Teguar
 2920 Whitehall Park Drive
 Charlotte, NC 28273
 +1 866-693-3105
 sales@teguar.com

EUROPE

Teguar Europe AG
 Churerstrasse 54, CH-8808
 Pfäffikon, Switzerland
 +41 41 561 53 11
 sales.EU@teguar.com

ASIA

Teguar Taiwan Ltd.
 Rm. A, 28F-12., No.99, Sec. 1, Xintai 5th Rd.,
 Xizhi Dist., New Taipei City 221, Taiwan (R.O.C.)
 +886 2 7751 5319
 sales@teguar.com.tw