

# TP-5045-18

## 18" Industrial Panel PC



### Key Highlights

- 18.5" P-Cap or Resistive Touchscreen
- Intel 6th Gen. Core i3/i5 CPU
- Optional Sunlight Readable Touchscreen
- Up to 16GB with onboard DDR4 2133MHz memory
- IP66 Protected Front with Aluminum Housing
- Wide Range 9-36VDC Power Input

[VIEW ONLINE](#)

The TP-5045-18 fanless [panel PC](#) offers a unique thermal design including a rugged die cast aluminum enclosure for fanless operation and durability in high shock and vibration settings. Advanced processing power from the latest Intel 6th generation core i3/i5 CPUs has long life cycle support. The front bezel is IP66 rated for protection from water and dust and uses a full flat design to prevent build-up of particulates on the front surface. With up to 16GB of DDR4 memory, the TP-5045-18 fanless panel PC is a great solution for most Windows or Linux based applications. A high-brightness touchscreen option can be chosen for environments with low screen visibility. The TP-5045-18 is great solution for applications such as a data hub for your IoT / IIoT sensors and to run your ERP (Enterprise Resource Planning) software.

#### USA

Teguar  
2920 Whitehall Park Drive  
Charlotte, NC 28273  
+1 866-693-3105  
sales@teguar.com

#### EUROPE

Teguar Europe AG  
Churerstrasse 54, CH-8808  
Pfäffikon, Switzerland  
+41 41 561 53 11  
sales.EU@teguar.com

#### ASIA

Teguar Taiwan Ltd.  
Rm. A, 28F-12., No.99, Sec. 1, Xintai 5th Rd.,  
Xizhi Dist., New Taipei City 221, Taiwan (R.O.C.)  
+886 2 7751 5319  
sales@teguar.com.tw

# Technical Specifications

## Primary Components

Processor Family	Intel Core I series 6th Generation Skylake
Processor Model	Core i3-6100U
Processor Speed	2.3 GHz
Memory Type	1x DDR4 SO-DIMM
Memory Support	4GB, 8GB, 16GB
Storage Type	1x 2.5" SATA Drive Bay for SSD/HDD
Storage Support	32GB-1TB

## Power

Input Voltage Range	9-32V DC
Standard Power Adapter	Optional 12V AC/DC Adapter

## Operating Systems

Windows	Windows 10 IoT, Windows 7 Pro
---------	-------------------------------

## Compatibility

Security Hardware	TPM 2.0
-------------------	---------

## Expansion Slots

SD card	1x Full Size SD Slot
---------	----------------------

## Enclosure

Material	Aluminum
IP Rating	IP66 Front Bezel
Mounting Options	Panel Mount, VESA Mount

## Weight / Dimensions

Weight	6.7 kg (14.8 lbs)
Dimensions	500 x 315 x 65 mm (19.7 x 12.4 x 2.6 in)

Specifications subject to change.

## Display

Screen Size	18.5"
Screen Resolution	1366 x 768, Optional 1920 x 1080
Screen Ratio	16:9
Brightness	300 nits, Optional 1000 nit High Brightness

## Touch Screen

Touch Screen	Projected Capacitive, Resistive
--------------	---------------------------------

## External I/O Ports

USB	2x USB 3.0
Serial / Com	2x COM
Serial Protocol Detail	1x RS-232/422/485 DB-9, default RS-232(COM1), 1x RS-232 DB-9(COM2)
Ethernet / LAN	2x RJ45 GbE LAN
Video Outputs	1x HDMI
Other Ports	1x 2-Pin DC Power Switch Connector
Audio Ports	1x Audio Line-Out
Power Input Port	3-Pin DC-In (Phoenix Type)

## Thermal & Environmental

Operating Temperature	0°C - 50°C (32°F - 122°F)
Storage Temperature	-20°C - 60°C (-4°F - 140°F)
Cooling Solution	Passive - Fanless with Heatsink
Humidity Range	10% - 90% Non-condensing

## Certification

Certifications	CE, FCC Class A
----------------	-----------------

## Warranty

Warranty	1 Year
----------	--------

### USA

Teguar  
2920 Whitehall Park Drive  
Charlotte, NC 28273  
+1 866-693-3105  
sales@teguar.com

### EUROPE

Teguar Europe AG  
Churerstrasse 54, CH-8808  
Pfäffikon, Switzerland  
+41 41 561 53 11  
sales.EU@teguar.com

### ASIA

Teguar Taiwan Ltd.  
Rm. A, 28F-12., No.99, Sec. 1, Xintai 5th Rd.,  
Xizhi Dist., New Taipei City 221, Taiwan (R.O.C.)  
+886 2 7751 5319  
sales@teguar.com.tw

## I/O Diagram Images



### USA

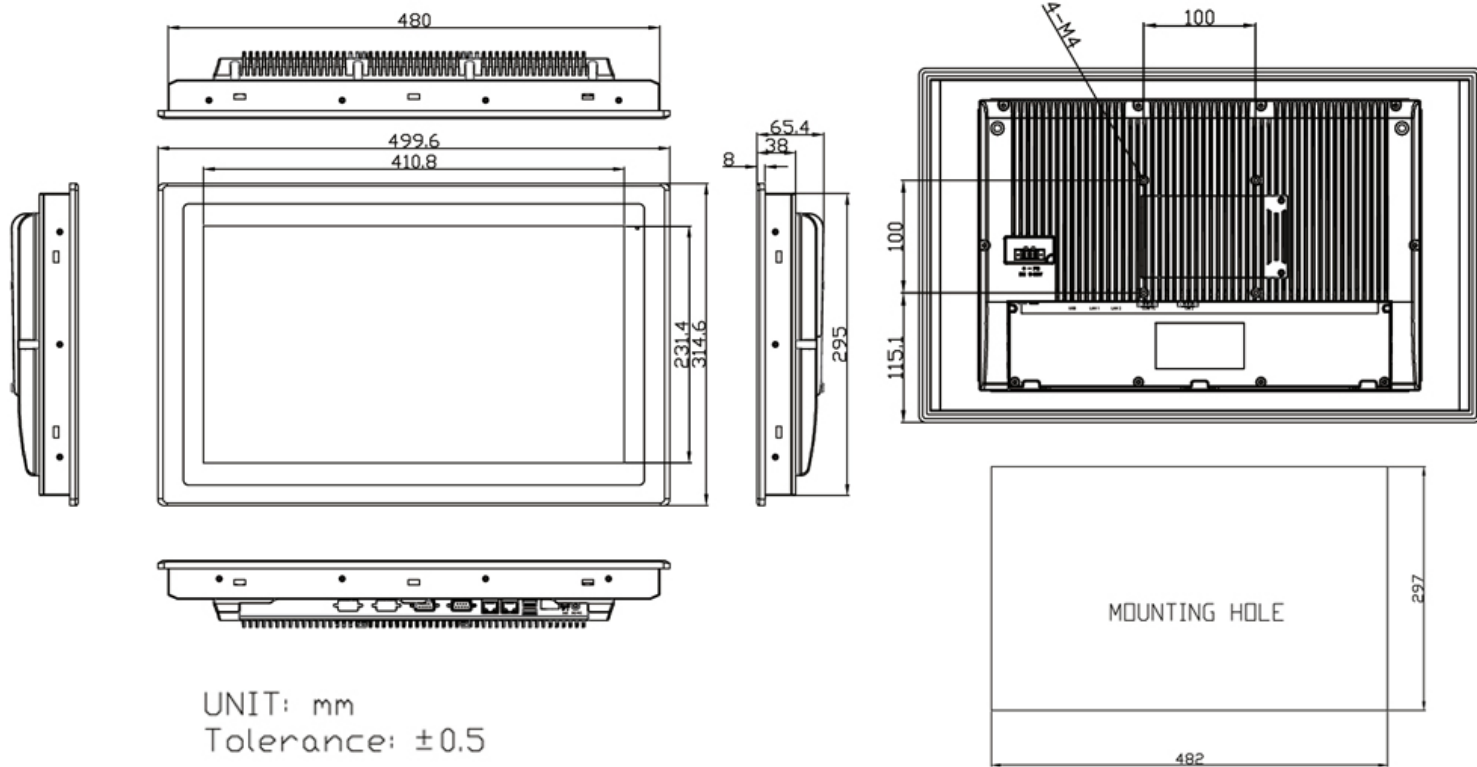
Teguar  
2920 Whitehall Park Drive  
Charlotte, NC 28273  
+1 866-693-3105  
sales@teguar.com

### EUROPE

Teguar Europe AG  
Churerstrasse 54, CH-8808  
Pfäffikon, Switzerland  
+41 41 561 53 11  
sales.EU@teguar.com

### ASIA

Teguar Taiwan Ltd.  
Rm. A, 28F-12., No.99, Sec. 1, Xintai 5th Rd.,  
Xizhi Dist., New Taipei City 221, Taiwan (R.O.C.)  
+886 2 7751 5319  
sales@teguar.com.tw



**USA**

Teguar  
2920 Whitehall Park Drive  
Charlotte, NC 28273  
+1 866-693-3105  
sales@teguar.com

**EUROPE**

Teguar Europe AG  
Churerstrasse 54, CH-8808  
Pfäffikon, Switzerland  
+41 41 561 53 11  
sales.EU@teguar.com

**ASIA**

Teguar Taiwan Ltd.  
Rm. A, 28F-12., No.99, Sec. 1, Xintai 5th Rd.,  
Xizhi Dist., New Taipei City 221, Taiwan (R.O.C.)  
+886 2 7751 5319  
sales@teguar.com.tw