

# TP-5045-15

## 15" Industrial Panel Computer



### Key Highlights

- 15" Resistive or P-Cap Touchscreen
- Intel 6th Generation Core i3/i5 CPU
- Optional Sunlight Readable LCD
- DDR4 2133MHz memory, up to 16GB
- Aluminum Housing, Fanless Sedign, IP66 Protected Front
- Wide Range 9-36VDC Power Input & Optional PoE

[VIEW ONLINE](#)

The TP-5045-15 fanless [panel PC](#) offers the latest Intel 6th generation core i3/i5 CPUs superior processing power with long life cycle support. The unique compact thermal design includes a rugged die cast aluminum enclosure for fanless operation and durability in high shock and vibration settings. The front bezel is IP66 rated for protection from water and dust and uses a full flat design to prevent build-up of particulates on the front surface. With up to 16GB of DDR4 memory, the TP-5045-15 fanless panel PC is an ideal solution for most Windows or Linux based applications. A high-brightness touchscreen option can be chosen for environments with low screen visibility. Also, an optional PoE (Power over Ethernet) GbE LAN port can be added to simplify cabling. The TP-5045-15 is great solution for applications such as a data hub for your IoT / IIoT sensors and to run your ERP (Enterprise Resource Planning) software.

#### USA

Teguar  
2920 Whitehall Park Drive  
Charlotte, NC 28273  
+1 866-693-3105  
sales@teguar.com

#### EUROPE

Teguar Europe AG  
Churerstrasse 54, CH-8808  
Pfäffikon, Switzerland  
+41 41 561 53 11  
sales.EU@teguar.com

#### ASIA

Teguar Taiwan Ltd.  
Rm. A, 28F-12., No.99, Sec. 1, Xintai 5th Rd.,  
Xizhi Dist., New Taipei City 221, Taiwan (R.O.C.)  
+886 2 7751 5319  
sales@teguar.com.tw

# Technical Specifications

## Primary Components

Processor Family	Intel Core I series 6th Generation Skylake
Processor Model	Core i3-6100U
Processor Speed	2.3 GHz
Memory Type	1x DDR4 SO-DIMM
Memory Support	4GB, 8GB, 16GB
Storage Type	1x 2.5" SATA Drive Bay for SSD/HDD
Storage Support	32GB-1TB

## Power

Input Voltage Range	9-32V DC
Standard Power Adapter	Optional 12V AC/DC Adapter

## Operating Systems

Windows	Windows 10 IoT, Windows 7 Pro
---------	-------------------------------

## Compatibility

Security Hardware	TPM 2.0
-------------------	---------

## Expansion Slots

SD card	1x Full Size SD Slot
---------	----------------------

## Enclosure

Material	Aluminum
IP Rating	IP66 Front Bezel
Mounting Options	Panel Mount, VESA Mount

## Weight / Dimensions

Weight	4.42 kg (9.7 lbs)
Dimensions	410 x 310 x 55 mm (16.1 x 12.2 x 2.2 in)

## Display

Screen Size	15"
Screen Resolution	1024 x 768 (XGA)
Screen Ratio	4:3
Brightness	420 nits, Optional 1000 nit High Brightness

## Touch Screen

Touch Screen	Projected Capacitive, Resistive
--------------	---------------------------------

## External I/O Ports

USB	2x USB 3.0
Serial / Com	2x COM
Serial Protocol Detail	1x RS-232/422/485 DB-9, default RS-232(COM1), 1x RS-232 DB-9(COM2)
Ethernet / LAN	2x RJ45 GbE LAN
Video Outputs	1x HDMI
Other Ports	1x 2-Pin DC Power Switch Connector
Audio Ports	1x Audio Line-Out
Power Input Port	3-Pin DC-In (Phoenix Type), Optional POE++, 45W with 2x USB 2.0

## Thermal & Environmental

Operating Temperature	0°C - 50°C (32°F - 122°F)
Storage Temperature	-20°C - 60°C (-4°F - 140°F)
Cooling Solution	Passive - Fanless with Heatsink
Humidity Range	10% - 90% Non-condensing

## Certification

Certifications	CE, FCC Class A
----------------	-----------------

## Warranty

Warranty	1 Year
----------	--------

Specifications subject to change.

### USA

Teguar  
2920 Whitehall Park Drive  
Charlotte, NC 28273  
+1 866-693-3105  
sales@teguar.com

### EUROPE

Teguar Europe AG  
Churerstrasse 54, CH-8808  
Pfäffikon, Switzerland  
+41 41 561 53 11  
sales.EU@teguar.com

### ASIA

Teguar Taiwan Ltd.  
Rm. A, 28F-12., No.99, Sec. 1, Xintai 5th Rd.,  
Xizhi Dist., New Taipei City 221, Taiwan (R.O.C.)  
+886 2 7751 5319  
sales@teguar.com.tw

## I/O Diagram Images



### USA

Teguar  
2920 Whitehall Park Drive  
Charlotte, NC 28273  
+1 866-693-3105  
sales@teguar.com

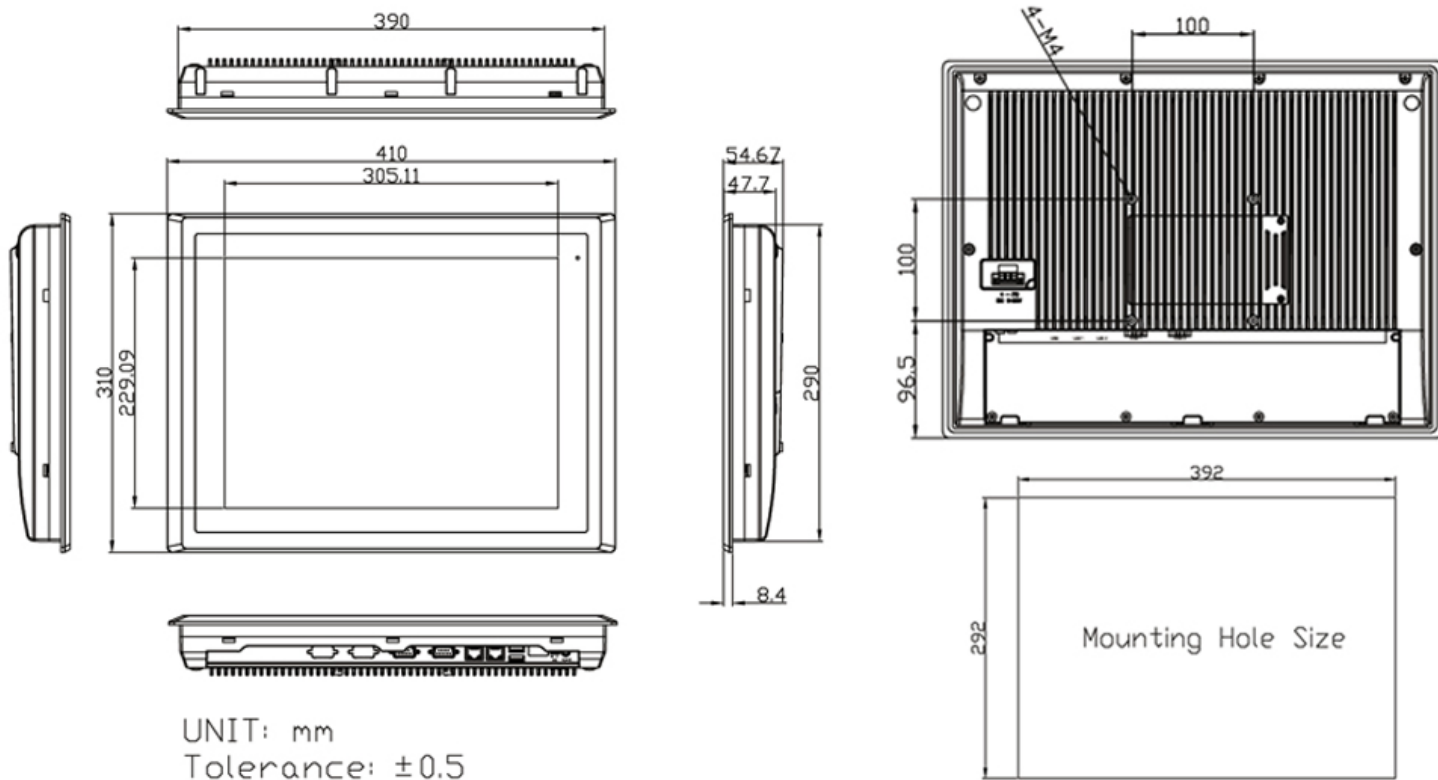
### EUROPE

Teguar Europe AG  
Churerstrasse 54, CH-8808  
Pfäffikon, Switzerland  
+41 41 561 53 11  
sales.EU@teguar.com

### ASIA

Teguar Taiwan Ltd.  
Rm. A, 28F-12., No.99, Sec. 1, Xintai 5th Rd.,  
Xizhi Dist., New Taipei City 221, Taiwan (R.O.C.)  
+886 2 7751 5319  
sales@teguar.com.tw

# Tech Diagram Images



## USA

Teguar  
2920 Whitehall Park Drive  
Charlotte, NC 28273  
+1 866-693-3105  
sales@teguar.com

## EUROPE

Teguar Europe AG  
Churerstrasse 54, CH-8808  
Pfäffikon, Switzerland  
+41 41 561 53 11  
sales.EU@teguar.com

## ASIA

Teguar Taiwan Ltd.  
Rm. A, 28F-12., No.99, Sec. 1, Xintai 5th Rd.,  
Xizhi Dist., New Taipei City 221, Taiwan (R.O.C.)  
+886 2 7751 5319  
sales@teguar.com.tw