

TS-4010-22

22" Stainless Steel Waterproof PC



Key Highlights

- 21.5" Widescreen Touchscreen
- Intel Celeron Quad Core Processor
- Stainless Steel Waterproof Enclosure
- IP67 M12 Metal Connectors and IP68 Power Supply
- IP66/IP69K and NEMA 4X Housing

[VIEW ONLINE](#)

The TS-4010-22 waterproof computer is made for food and beverage manufacturing plants and similar types of environments. This PC is IP69K and NEMA 4X rated. It has a 5-wire resistive touchscreen so the unit can be used with any type of glove. The thin, stainless steel housing is completely sealed to protect internal components from airborne particles and liquids, including cleaning chemicals often used in sterile environments. The TS-4010-22 is built with industrial grade components and has connectors made with M12 anti-corrosion metal. The Intel quad core CPU is designed to work with software frequently used in the food and beverage industries such as ERP software. With a 21.5" widescreen HD display, this computer offers impressive visibility for process visualization, inventory management and live data tracking.

USA

Teguar
2920 Whitehall Park Drive
Charlotte, NC 28273
+1 866-693-3105
sales@teguar.com

EUROPE

Teguar Europe AG
Churerstrasse 54, CH-8808
Pfäffikon, Switzerland
+41 41 561 53 11
sales.EU@teguar.com

ASIA

Teguar Taiwan Ltd.
Rm. A, 28F-12., No.99, Sec. 1, Xintai 5th Rd.,
Xizhi Dist., New Taipei City 221, Taiwan (R.O.C.)
+886 2 7751 5319
sales@teguar.com.tw

Technical Specifications

Primary Components

| | |
|------------------|------------------------------------|
| Processor Family | Intel Celeron Bay Trail |
| Processor Model | J1900 Quad Core |
| Processor Speed | 2.0 GHz |
| Memory Type | 2x DDR3L SO-DIMM |
| Memory Support | 2GB, 4GB, 8GB |
| Storage Type | 1x 2.5" SATA Drive Bay for SSD/HDD |
| Storage Support | 32GB-1TB |

External I/O Ports

| | |
|------------------------|-------------------------------------|
| USB | 2x M12 8Pin for USB 1/2 and USB 3/4 |
| Serial / Com | 2x M12 8-pin for COM |
| Serial Protocol Detail | RS-232 |
| Ethernet / LAN | 1x M12 8pin RJ45 Gbe LAN |
| Power Input Port | M12 type 5-PIN DC-in |

Compatibility

| | |
|-------------------|------------------|
| Security Hardware | Optional TPM 2.0 |
|-------------------|------------------|

Enclosure

| | |
|------------------|---|
| Material | SUS304 Stainless Steel |
| IP Rating | IP66, IP69K, NEMA 4X, Optional IP67 |
| Mounting Options | Table Mount, VESA 100 Mount, Wall Mount |

Peripherals & Wireless Connectivity

| | |
|------|---|
| WiFi | Optional Bluetooth kit and WLAN with External Antenna |
|------|---|

Warranty

| | |
|----------|---------------|
| Warranty | Up to 5 Years |
|----------|---------------|

Specifications subject to change.

Display

| | |
|-------------------|-----------------------|
| Screen Size | 21.5 |
| Screen Resolution | 1920 x 1080 (Full HD) |
| Screen Ratio | 16:9 |
| Brightness | 250 nits |

Touch Screen

| | |
|--------------|------------------|
| Touch Screen | 5 Wire Resistive |
| Hardness | 4H |

Power

| | |
|------------------------|--|
| Input Voltage Range | 7-32V DC |
| Max Power Consumption | 70.4W |
| Standard Power Adapter | AC 100 - 277V / 47 - 63 Hz / DC output 24V |

Operating Systems

| | |
|---------|---|
| Windows | Windows 10 IoT, Windows 10 Pro, Windows 7 Pro |
|---------|---|

Thermal & Environmental

| | |
|-----------------------|-----------------------------|
| Operating Temperature | 0°C - 40°C (32°F - 104°F) |
| Storage Temperature | -20°C - 60°C (-4°F - 140°F) |
| Cooling Solution | Passive - Fanless |
| Humidity Range | 10% - 90% Non-condensing |
| Storage Humidity | 10% - 90% Non-condensing |

Weight / Dimensions

| | |
|------------|--|
| Weight | 12 kg (26.5 lbs) |
| Dimensions | 557 x 58.5 x 348.5 mm (21.9 x 2.3 x 13.7 in) |

USA

Teguar
2920 Whitehall Park Drive
Charlotte, NC 28273
+1 866-693-3105
sales@teguar.com

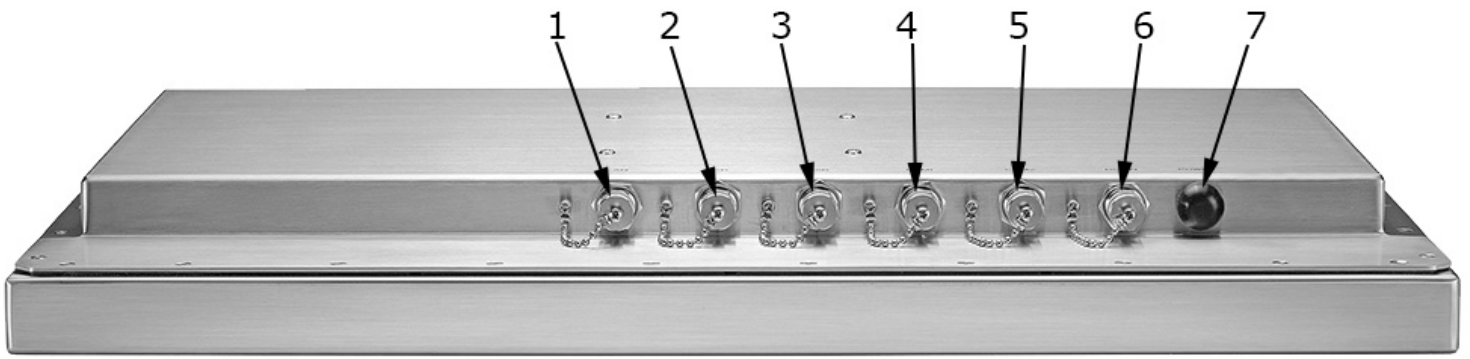
EUROPE

Teguar Europe AG
Churerstrasse 54, CH-8808
Pfäffikon, Switzerland
+41 41 561 53 11
sales.EU@teguar.com

ASIA

Teguar Taiwan Ltd.
Rm. A, 28F-12., No.99, Sec. 1, Xintai 5th Rd.,
Xizhi Dist., New Taipei City 221, Taiwan (R.O.C.)
+886 2 7751 5319
sales@teguar.com.tw

I/O Diagram Images



- | | |
|---|----------------------------------|
| 1. M12 8 Pin Connector for LAN | 5. M12 8 Pin Connector for COM 2 |
| 2. M12 8 Pin Connector for Dual USB 2.0 | 6. M12 5 Pin DC Power Connector |
| 3. M12 8 Pin Connector for Dual USB 2.0 | 7. Power Button |
| 4. M12 8 Pin Connector for COM 1 | |

USA

Teguar
2920 Whitehall Park Drive
Charlotte, NC 28273
+1 866-693-3105
sales@teguar.com

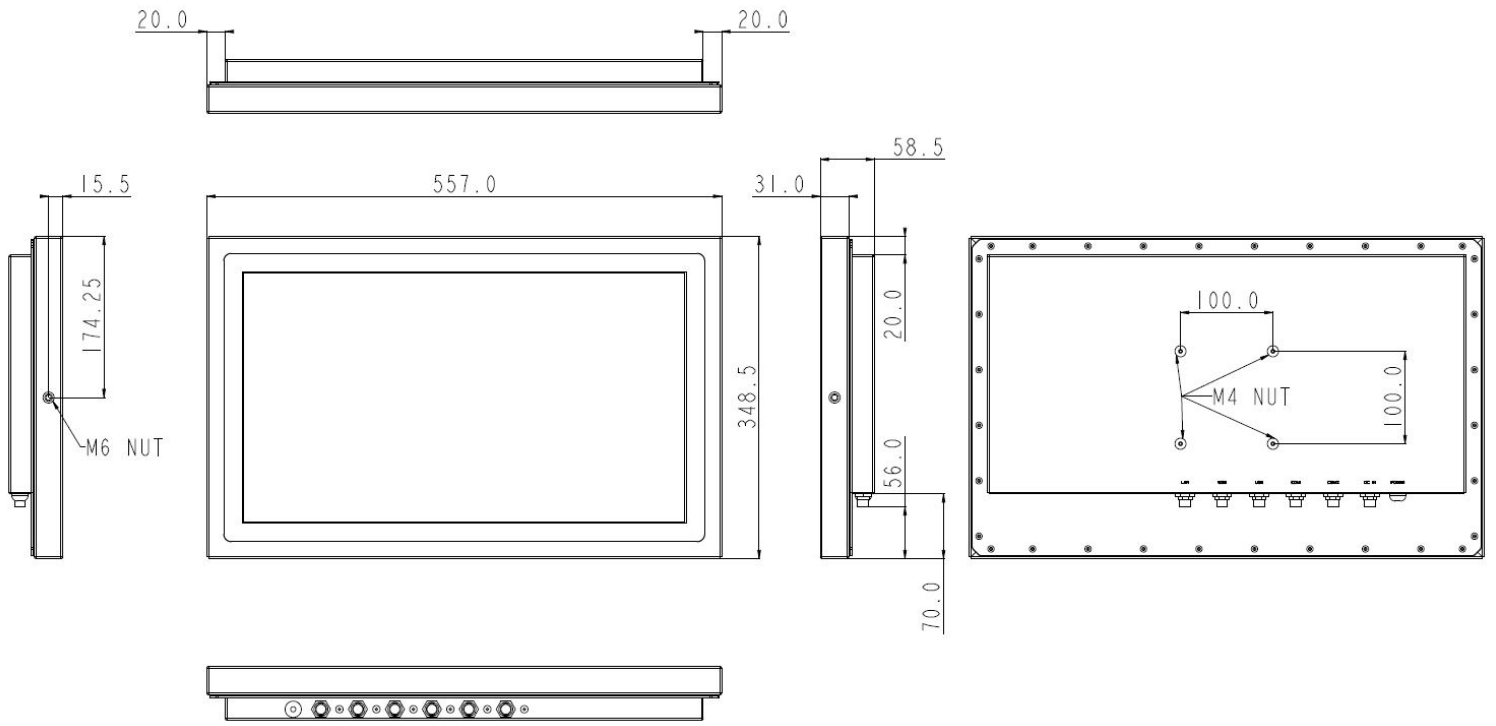
EUROPE

Teguar Europe AG
Churerstrasse 54, CH-8808
Pfäffikon, Switzerland
+41 41 561 53 11
sales.EU@teguar.com

ASIA

Teguar Taiwan Ltd.
Rm. A, 28F-12., No.99, Sec. 1, Xintai 5th Rd.,
Xizhi Dist., New Taipei City 221, Taiwan (R.O.C.)
+886 2 7751 5319
sales@teguar.com.tw

Tech Diagram Images



USA

Teguar
2920 Whitehall Park Drive
Charlotte, NC 28273
+1 866-693-3105
sales@teguar.com

EUROPE

Teguar Europe AG
Churerstrasse 54, CH-8808
Pfäffikon, Switzerland
+41 41 561 53 11
sales.EU@teguar.com

ASIA

Teguar Taiwan Ltd.
Rm. A, 28F-12., No.99, Sec. 1, Xintai 5th Rd.,
Xizhi Dist., New Taipei City 221, Taiwan (R.O.C.)
+886 2 7751 5319
sales@teguar.com.tw