

TS-4010-10

10" Waterproof Computer



Key Highlights

- 10.4" 4:3 Aspect Ratio Touchscreen
- Intel Celeron Quad Core Processor
- Stainless Steel NEMA 4X / IP66 Enclosure
- IP66 and IP69K Rated
- M12 Metal I/O Connectors
- Fully Sealed and Fanless

[VIEW ONLINE](#)

The TS-4010-10 is an IP69K and NEMA 4X rated computer designed for food and beverage manufacturing, pharmaceutical manufacturing, and similar types of environments. This waterproof PC can withstand airborne particles and liquids, including cleaning chemicals often used in sterile environments. The TS-4010-10 has M12 waterproof connectors made with anti-corrosion metal, to ensure the design is fully waterproof. The Intel quad core processor is ideal for use with software frequently used in the food and beverage industries such as ERP and MES software and other software used for live tracking of data. With a 10.4" fully flush screen and a very thin profile, the TS-4010-10 provides a compact, clean and bright look to your work setting.

USA

Teguar
2920 Whitehall Park Drive
Charlotte, NC 28273
+1 866-693-3105
sales@teguar.com

EUROPE

Teguar Europe AG
Churerstrasse 54, CH-8808
Pfäffikon, Switzerland
+41 41 561 53 11
sales.EU@teguar.com

ASIA

Teguar Taiwan Ltd.
Rm. A, 28F-12., No.99, Sec. 1, Xintai 5th Rd.,
Xizhi Dist., New Taipei City 221, Taiwan (R.O.C.)
+886 2 7751 5319
sales@teguar.com.tw

Technical Specifications

Primary Components

Processor Family	Intel Celeron Bay Trail
Processor Model	J1900 Quad Core
Processor Speed	2.0 GHz
Memory Type	1x DDR3L SO-DIMM
Memory Support	2GB, 4GB, 8GB
Storage Type	1x 2.5" SATA Drive Bay for SSD/HDD
Storage Support	32GB-1TB

External I/O Ports

USB	2x M12 8Pin for USB 1/2 and USB 3/4
Serial / Com	2x M12 8-pin for COM
Serial Protocol Detail	RS-232
Ethernet / LAN	1x M12 8pin RJ45 Gbe LAN
Power Input Port	M12 type 3-PIN DC-in

Compatibility

Security Hardware	Optional TPM 2.0
-------------------	------------------

Thermal & Environmental

Operating Temperature	0°C - 50°C (32°F - 122°F)
Storage Temperature	-20°C - 60°C (-4°F - 140°F)
Cooling Solution	Passive - Fanless
Humidity Range	10% - 90% Non-condensing
Storage Humidity	10% - 90% Non-condensing

Peripherals & Wireless Connectivity

WiFi	Optional Bluetooth kit and WLAN with External Antenna
------	---

Certification

Certifications	CE, FCC, VCCI Class B
----------------	-----------------------

Display

Screen Size	10.4"
Screen Resolution	800 x 600 (SVGA)
Screen Ratio	4:3
Brightness	230 nits, Optional 1000 nit High Brightness

Touch Screen

Touch Screen	5 Wire Resistive, Projected Capacitive
Hardness	4H

Power

Input Voltage Range	9-36V DC
Max Power Consumption	29.7W
Standard Power Adapter	AC 100-240V / 47 - 63 Hz / DC output 12V, IP67, 60W/12V/5A

Operating Systems

Windows	Windows 10 IoT, Windows 10 Pro, Windows 7 Pro
---------	---

Expansion Slots

Video Card Support	Intel HD Graphics
--------------------	-------------------

Enclosure

Material	SUS304 Stainless Steel
IP Rating	IP66, IP69K, Optional IP67
Color	Stainless Steel
Control Buttons	Power Button, Power Reset
Mounting Options	Table Mount, VESA 100 Mount, Wall Mount

Weight / Dimensions

Weight	6.9 kg (15.2 lbs)
Dimensions	288 x 236 x 58 mm (11.3 x 9.3 x 2.3 in)

Warranty

Warranty	Up to 5 Years
----------	---------------

Specifications subject to change.

USA

Teguar
2920 Whitehall Park Drive
Charlotte, NC 28273
+1 866-693-3105
sales@teguar.com

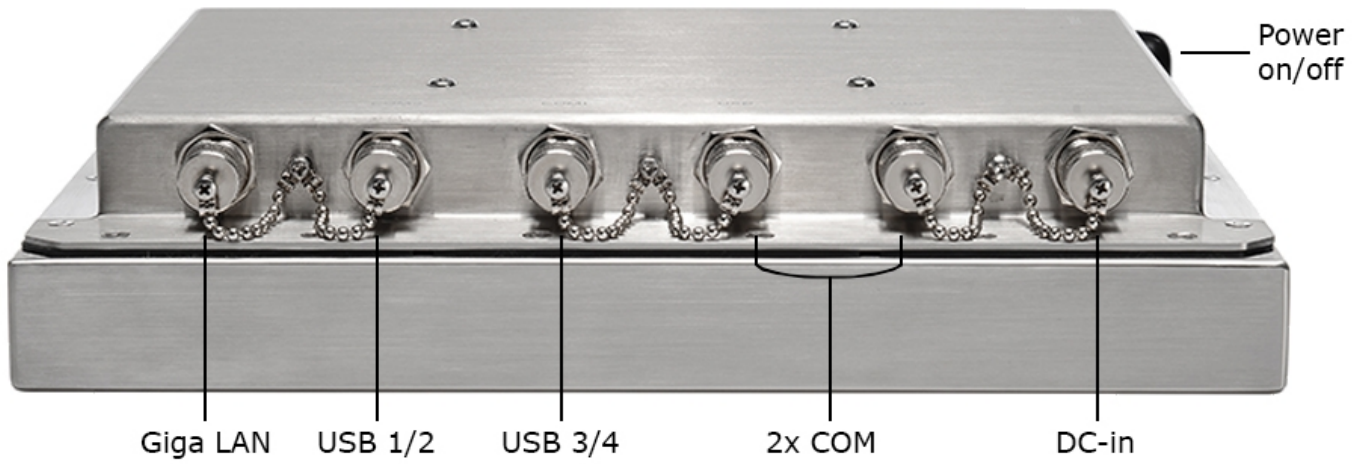
EUROPE

Teguar Europe AG
Churerstrasse 54, CH-8808
Pfäffikon, Switzerland
+41 41 561 53 11
sales.EU@teguar.com

ASIA

Teguar Taiwan Ltd.
Rm. A, 28F-12., No.99, Sec. 1, Xintai 5th Rd.,
Xizhi Dist., New Taipei City 221, Taiwan (R.O.C.)
+886 2 7751 5319
sales@teguar.com.tw

I/O Diagram Images



USA

Teguar
2920 Whitehall Park Drive
Charlotte, NC 28273
+1 866-693-3105
sales@teguar.com

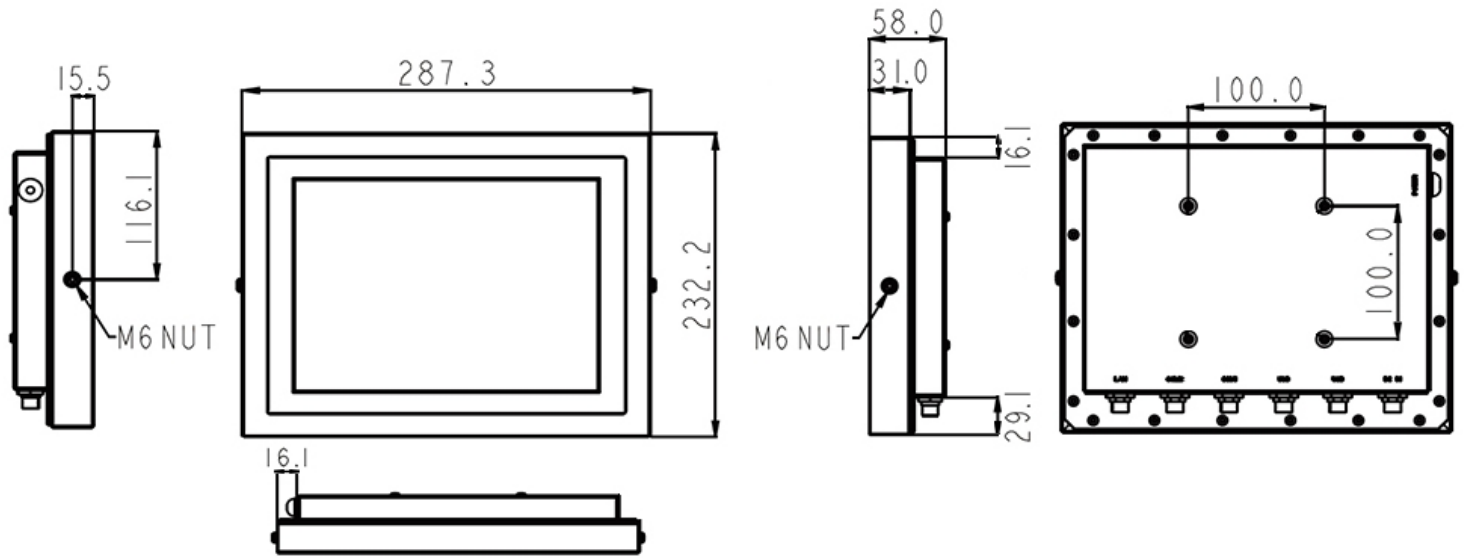
EUROPE

Teguar Europe AG
Churerstrasse 54, CH-8808
Pfäffikon, Switzerland
+41 41 561 53 11
sales.EU@teguar.com

ASIA

Teguar Taiwan Ltd.
Rm. A, 28F-12., No.99, Sec. 1, Xintai 5th Rd.,
Xizhi Dist., New Taipei City 221, Taiwan (R.O.C.)
+886 2 7751 5319
sales@teguar.com.tw

Tech Diagram Images



USA

Teguar
2920 Whitehall Park Drive
Charlotte, NC 28273
+1 866-693-3105
sales@teguar.com

EUROPE

Teguar Europe AG
Churerstrasse 54, CH-8808
Pfäffikon, Switzerland
+41 41 561 53 11
sales.EU@teguar.com

ASIA

Teguar Taiwan Ltd.
Rm. A, 28F-12., No.99, Sec. 1, Xintai 5th Rd.,
Xizhi Dist., New Taipei City 221, Taiwan (R.O.C.)
+886 2 7751 5319
sales@teguar.com.tw