

TS-2945-10

10" Waterproof All-in-One PC



Key Highlights

- 10.1" Flush LCD Touchscreen
- IP66 Fully Enclosed Fanless Design
- USB, LAN, and COM Ports
- Grade 304 Stainless Steel Enclosure
- Resistive or Capacitive Touchscreen
- M12 Metal I/O Connectors

[VIEW ONLINE](#)

The TS-2945-10 waterproof touchscreen computer is an ideal 10" HMI replacement for industrial environments where dust, water, or harsh chemicals are present. The fully sealed stainless steel housing makes it ideal for food and beverage processing environments. The fully fanless cooling system and IP66/NEMA 4x rated housing ensure that you can confidently place this PC into the most demanding workplaces. Built with industrial-grade components, this pc supports a wide temperature range to allow for placement in a variety of environments.

This product is now considered "Previous Generation" meaning it may or may not still be available for purchase. Call +1 800 870 7715 for details on this product or check out our full list of currently available [Waterproof Computers](#).

USA

Teguar
2920 Whitehall Park Drive
Charlotte, NC 28273
+1 866-693-3105
sales@teguar.com

EUROPE

Teguar Europe AG
Churerstrasse 54, CH-8808
Pfäffikon, Switzerland
+41 41 561 53 11
sales.EU@teguar.com

ASIA

Teguar Taiwan Ltd.
Rm. A, 28F-12., No.99, Sec. 1, Xintai 5th Rd.,
Xizhi Dist., New Taipei City 221, Taiwan (R.O.C.)
+886 2 7751 5319
sales@teguar.com.tw

Technical Specifications

Primary Components

| | |
|------------------|------------------------------------|
| Processor Family | Intel Celeron Bay Trail |
| Processor Model | N2930 |
| Processor Speed | 1.83 GHz |
| Memory Type | Onboard DDR3 |
| Memory Support | 4GB |
| Storage Type | 1x 2.5" SATA Drive Bay for SSD/HDD |
| Storage Support | 32GB-1TB |

Power

| | |
|---------------------|----------|
| Input Voltage Range | 9-36V DC |
|---------------------|----------|

Operating Systems

| | |
|---------|---|
| Windows | Windows 10 IoT, Windows 10 Pro, Windows 8.1 Pro |
|---------|---|

Thermal & Environmental

| | |
|-----------------------|---|
| Operating Temperature | 0°C - 50°C (32°F - 122°F), -20°C - 60°C (Optional -4°F - 140°F) |
| Storage Temperature | -30°C - 70°C (-22°F - 158°F) |
| Cooling Solution | Passive - Fanless |
| Humidity Range | 10% - 90% Non-condensing |

Peripherals & Wireless Connectivity

| | |
|------|----------------------|
| RFID | Optional RFID Module |
|------|----------------------|

Weight / Dimensions

| | |
|------------|---|
| Weight | 4 kg (8.8 lbs) |
| Dimensions | 300 x 220 x 53 mm (11.8 x 8.7 x 2.1 in) |

Warranty

| | |
|----------|---------------|
| Warranty | Up to 5 Years |
|----------|---------------|

Specifications subject to change.

Display

| | |
|-------------------|---|
| Screen Size | 10.1" |
| Screen Resolution | 1280 x 800 (WXGA) |
| Screen Ratio | 16:10 |
| Brightness | 350 nits, Optional 1000 nit High Brightness |

Touch Screen

| | |
|--------------|---------------------------------|
| Touch Screen | Projected Capacitive, Resistive |
|--------------|---------------------------------|

External I/O Ports

| | |
|------------------------|---|
| USB | 1x M12 8Pin for USB 1/2 |
| Serial / Com | 2x M12 8-pin for COM |
| Serial Protocol Detail | 1x M12 8Pin for RS-232/422/485 COM Port with Waterproof Cap |
| Ethernet / LAN | 1x M12 8pin RJ45 Gbe LAN |
| Audio Ports | 1x 3.5mm Headphone Jack |
| Power Input Port | M12 type 3-PIN DC-in |

Enclosure

| | |
|------------------|---|
| Material | Optional SUS316 Stainless Steel, SUS304 Stainless Steel |
| IP Rating | IP66, NEMA 4X, Optional IP69K |
| Color | Stainless Steel |
| Control Buttons | Power Button, Power Switch |
| Mounting Options | VESA 75 Mount |

Certification

| | |
|----------------|-----------------|
| Certifications | CE, FCC Class A |
|----------------|-----------------|

USA

Teguar
2920 Whitehall Park Drive
Charlotte, NC 28273
+1 866-693-3105
sales@teguar.com

EUROPE

Teguar Europe AG
Churerstrasse 54, CH-8808
Pfäffikon, Switzerland
+41 41 561 53 11
sales.EU@teguar.com

ASIA

Teguar Taiwan Ltd.
Rm. A, 28F-12., No.99, Sec. 1, Xintai 5th Rd.,
Xizhi Dist., New Taipei City 221, Taiwan (R.O.C.)
+886 2 7751 5319
sales@teguar.com.tw

I/O Diagram Images



- | | |
|-----------------|------------------|
| 1. Power Button | 5. COM Port |
| 2. DC Input | 6. Optional Port |
| 3. USB Port | 7. Optional Port |
| 4. LAN Port | |

USA

Teguar
2920 Whitehall Park Drive
Charlotte, NC 28273
+1 866-693-3105
sales@teguar.com

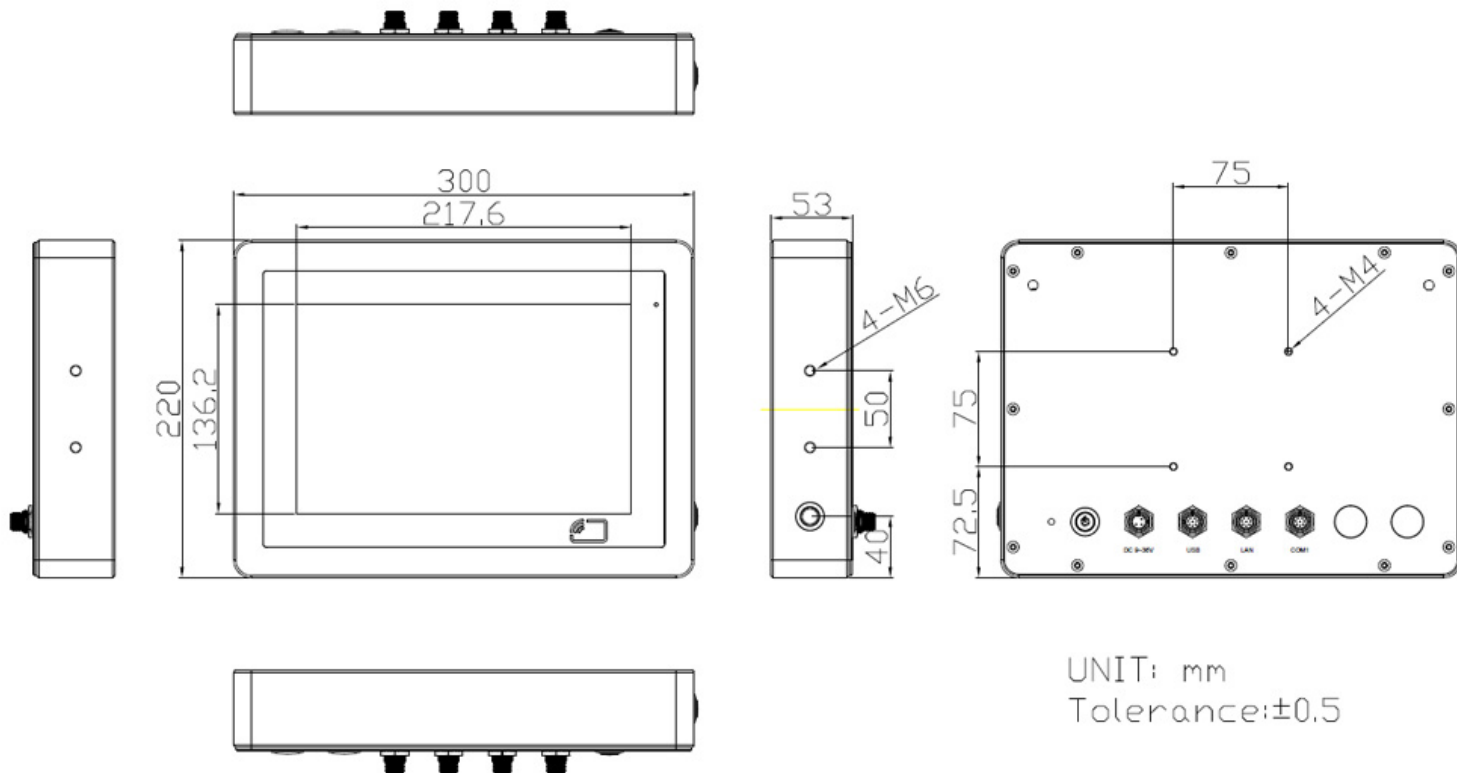
EUROPE

Teguar Europe AG
Churerstrasse 54, CH-8808
Pfäffikon, Switzerland
+41 41 561 53 11
sales.EU@teguar.com

ASIA

Teguar Taiwan Ltd.
Rm. A, 28F-12., No.99, Sec. 1, Xintai 5th Rd.,
Xizhi Dist., New Taipei City 221, Taiwan (R.O.C.)
+886 2 7751 5319
sales@teguar.com.tw

Tech Diagram Images



USA

Teguar
2920 Whitehall Park Drive
Charlotte, NC 28273
+1 866-693-3105
sales@teguar.com

EUROPE

Teguar Europe AG
Churerstrasse 54, CH-8808
Pfäffikon, Switzerland
+41 41 561 53 11
sales.EU@teguar.com

ASIA

Teguar Taiwan Ltd.
Rm. A, 28F-12., No.99, Sec. 1, Xintai 5th Rd.,
Xizhi Dist., New Taipei City 221, Taiwan (R.O.C.)
+886 2 7751 5319
sales@teguar.com.tw